



USB 3.0



In-Wall Front Mount



Intel D2550



Support VESA Mount



Support Dual Display



Ultra Slim



Modular Design



Fanless System



WIFI Module (optional)



IP65 Front Bezel



Shock and Vibration Tested



Support GbE

# Model: QPC1210DC

## 12.1" Slim Type Industrial Panel PC

Display	
LCD	12.1" TFT XVGA
Resolution	800*600 (1024*768 Optional)
Luminance (cd/m <sup>2</sup> )	500
Viewing Angle	80°
Backlight Lifetime	50,000 hrs/ LED

Mechanical	
Construction	Heavy-duty steel chassis(Black Color), Aluminum Front
Operation Temp.	14°F~158°F(-10°C~70°C)
Storage Temp.	-22°F~175°F(-30°C~80°C)
Relative Humidity	10-90% @40°C, Non-condensing
Vibration	5~17Hz, 0.1" double amplitude peak to peak, 1.5G acceleration peak to peak
Shock	10G acceleration peak to peak (11ms)
Rating	IP 65 compliant front bezel
Qualification	Formal certification CE / FCC Class B
Mounting	Panel / VESA 75 mount / Wall / Front (In-Wall)
Dimension	264*48*330mm (LxWxH)
Packing Dimension	460*145*410mm (LxWxH)
Weight (net)	8.8 lb (4kg)

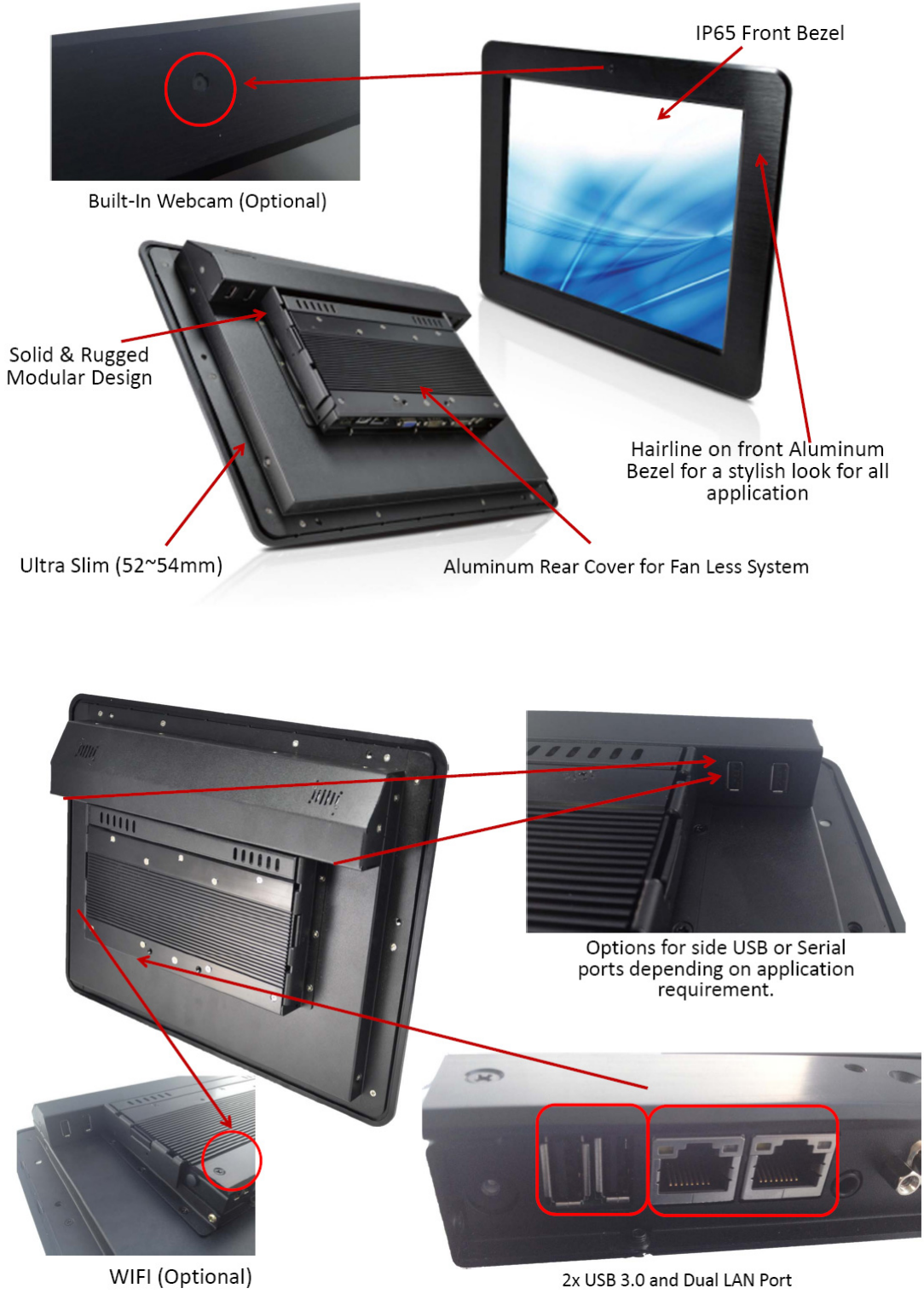
Optional Order	
Memory	DDRIII 1GB, DDRIII 2GB, DDRIII 4GB
Storage	2.5" SATA HDD 320GB, SATA DOM 16GB-64GB
OS	Microsoft WinCE, XP Embedded, Win 7
3G Module	Built in w/ Antenna
Wifi Lan	RTL8188CUS-BC8-WB

System	
Processor	Intel Cedar Trail D2550 Dual Core 1.8Ghz
System Memory	One 204 Pin 1.5V DDRIII SODIMM Socket, total up to 4GB
I/O	Serial port * 2 (RS232/422/485 *1,RS232 *1 With power 5V/12V)
	USB*4 (USB 3.0 Port *2, USB 2.0 *2 )
	PS2/Keyboard7 Mouse Mini DIM Connector(option)
	Ethernet, PCI-e Gbe LAN *2, RJ-45
	CRT,VGA*1,DB-15
	Audio, Line out *1, Phone Jack
Expansion Interface	One Mini PCI Express Socket
Speaker	2W Speaker *2
Camera	Only Available in 12.1", 15" and 18.5"
Touch screen	Analog resistive 5 Wire Touch
OS Support	Microsoft WinCE, XP Embedded, Win 7
Power Requirement	DC Jack, +12V-4-24V Wide Range Input
Power Consumption	24W

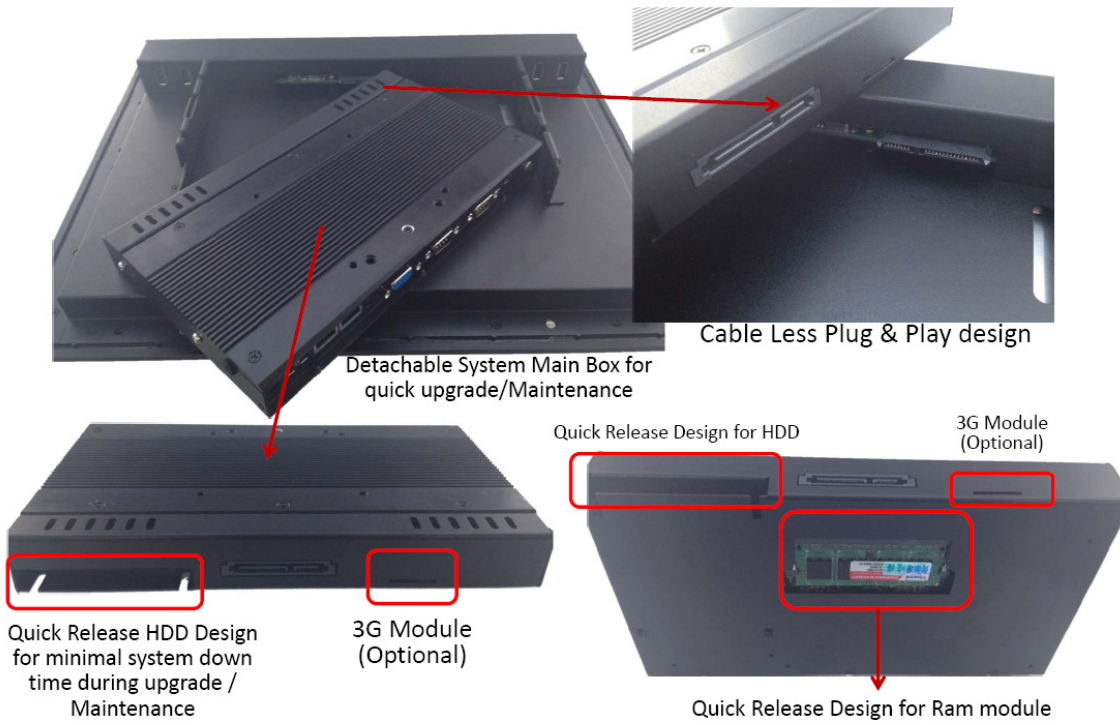


i-Tech Company LLC  
TOLL FREE: (888) 483-2418 • EMAIL: [info@iTechLCD.com](mailto:info@iTechLCD.com) • WEB: [www.iTechLCD.com](http://www.iTechLCD.com)

# QPC Series Feature Overview



# QPC Series Feature Overview

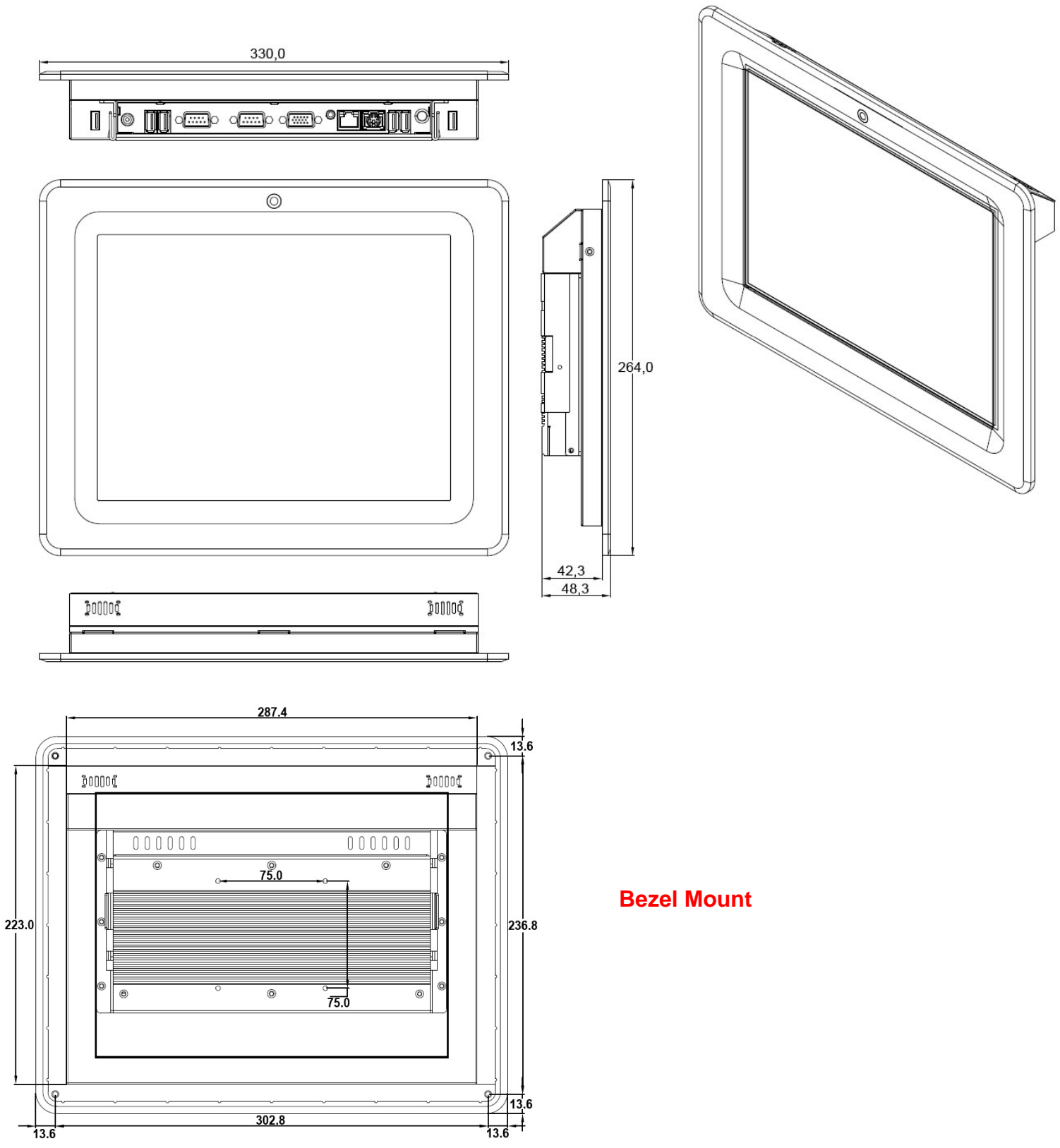


## Photo Gallery



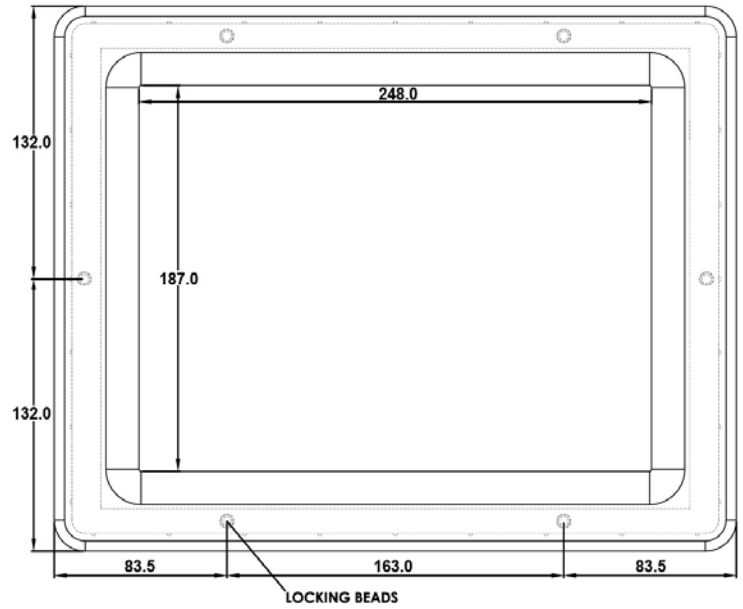
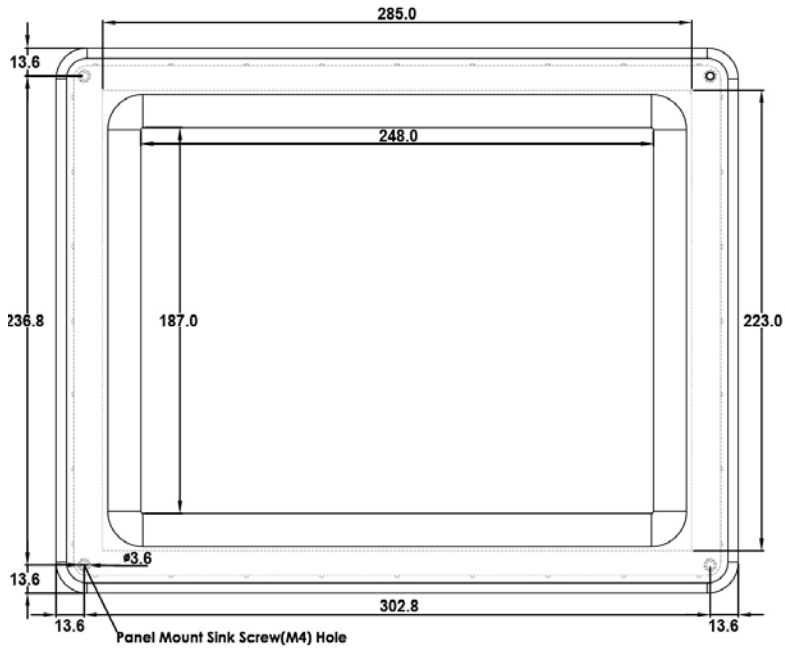


# MECHANICAL DRAWING:

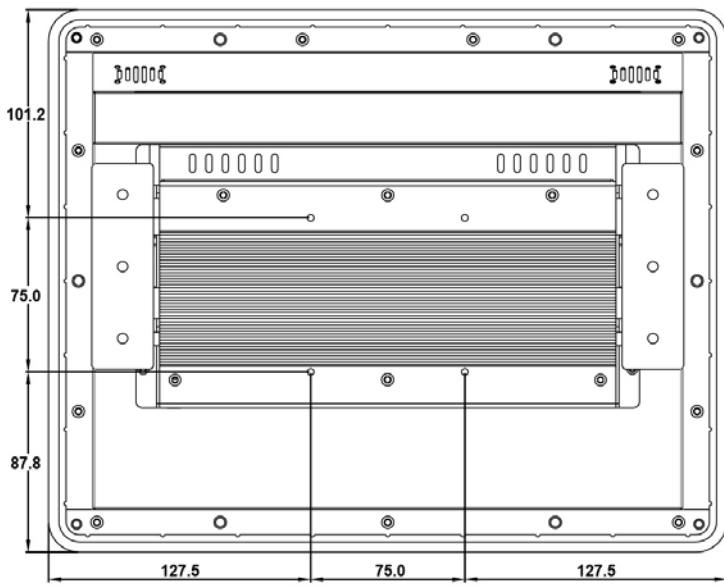


**Bezel Mount**

## Panel Mount



## VESA Mount



## Wall Mount

