

2U Rack mount SamSung 17" TFT LCD monitor keyboard drawer / KVM switch

RKP 2417, RKP2417-801 RKP2417-1601

Features:

- **Unique monitor flip up design** allows viewing through closed glass door of cabinet
- **Adjustable mounting brackets** from 15.4" to 29" (390 to 735 mm) (front to rear 19" mounts). Suitable for 30" to 39.4"(750 to 1000mm) deep 19" cabinet
- **May fitted into an 29"(735mm)** deep rack by the use of extended brackets on request
- **Built-in on screen display** controlled by integral membrane switches
- **Front access lock for security**
- Standard D-sub 15-pin VGA input connector
- **Slide rails have two fixed positions** to prevent movement of the keyboard
- Supplied with 12V 5A remote power adapter



17" Deep Chassis Only

With KVM Features only:

- **Multi-platform**-mix PCs, SUNs, IBMs, HPs, Compaq & DELL
- **Support 8 characters password protection** & search PC server name
- **Cascades for use with up to 128 servers**
- New keep alive feature safeguards server for power loss to the switch
- **Built-in microprocessor** emulation for each port boots up process
- **Auto scan-mode** for monitoring your servers at intervals 5 to 99s
- **Hot-pluggable** when adding or removing PC w/o powering down the switch
- Name you server up to **16 characters long**
- Supplied w/12V 1A remote power adapter(single power source)
- **Supplied with 8 screened cables 6ft long**
- **No software needed & all mounting hardware included**

Specification

Monitor

Panel:	SAMSUNG 17" LCD panel
Display type:	TFT / LCD active matrix color
Resolutions:	1280 x 1024
Response time:	Tr=5ms/ Tf=20ms
Contrast ratio:	350 : 1 typical
Brightness:	250 cd/m ² typical
Pixel pitch:	0.264mm (H) x 0.264mm (W)
Panel color:	16.7 million display colors
Viewing angle:	150° (Horiz.)/ 125° (Vert.)
Storage temp.	-25° C to 60° C
Operating temp.	0° C to 50° C
MTBF	20,000 hours

KVM

Computer connectors:	8/16
Connector:	15-pin HDB type, Keyboard, mouse, all-in-1
Cascade level:	8
Max. access PCs:	128
Input VGA resolution:	1,920 x 1,440

Keyboard Selection

- 1: Notebook type keyboard with touch pad mouse
- 2: Cherry keyboard with trackball

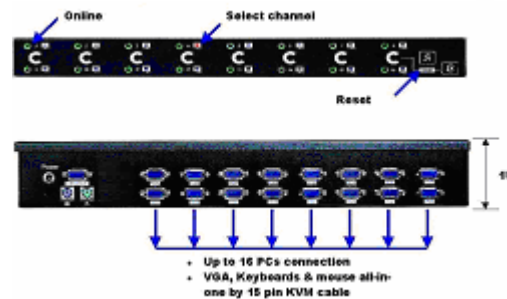
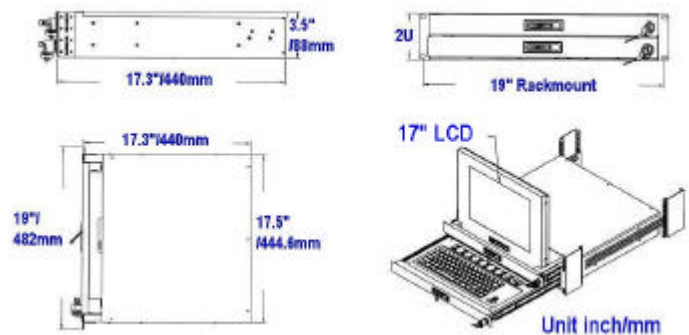
Power supply

Remote adapter:	110V - 220V AC Input 12V 5A Output
Adapter Size:	4.3"(L) x 2.4" (W) x 1.2"(H) (108x61x30mm)
Cable length from mains plug to adapter:	6ft (182cm)
Cable length from adapter to unit:	6ft (180cm)
Safety approval:	UL, CE
Mains plug options available	

Weight

Model	KVM	Net / Gross weight
RKP2417	Non	27.5lbs / 42.9lbs (12.5 kg/19.5kg)
RKP2417-801	8 port	29.7lbs/ 47.3lbs (13.5kg/21.5kg)
RKP2417-1601	16 port	31.9lbs / 49.5lbs (14.5kg/22.5kg)

Dimension



KVM Switches



Product dimension--- 17.3"(W) x 3.5"(H) x 17.3"(D)
(439x88x440mm)

Packing dimension--- 23.4"(L) x 22.5"(W) x 8.7"(H)
(595x570x220mm)