

Secure Console Manager + Power Switch with Internal Modem

Manage Network Elements ... From Anywhere!

Features:

- SSHv2 Encryption
- HTTPS/SSL Secure Web
- Temperature Threshold Alarms
w/ Load Shedding
- Secure Authentication:
LDAP/Kerberos/RADIUS/TACACS+
- SNMP Control
- (8) RS-232 RJ45 Serial Ports
- (4) Power Receptacles
- 10/100Base-T Ethernet Port
- Internal 56K v.92 Modem
with Dial-Back Security
- Command Logging with Audit Trail
- Non-Connect Port Buffering
- Co-Location Features
- Any-to-Any Port Switching
- Port-Specific Password Protection
- Easy-to-Use Menu/Commands
- AC 120V and 230V Models
- NEMA 5-15 or IEC-C13 Outlet Receptacles
- Invalid Access Lockout Feature
- On / Off / Reboot / Default Switching
- Power-Up Sequencing



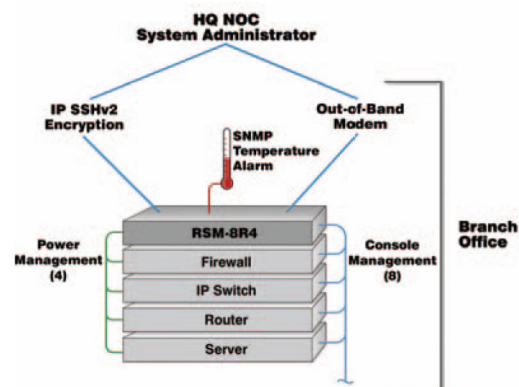
RSM-8R4-1

Ideal for branch office applications, the RSM-8R4 is designed for remote network management installations where rack space is precious and only a few network elements are managed. WTI has combined RS232 console ports, remotely switched power outlets and an internal modem to provide secure console port access and power control of remote IT equipment over IP or Out-of-Band connections.

The RSM-8R4 allows you to remotely access multiple console ports using a single secure IP, switch power on/off/reboot on specific outlets, receive temperature alarms when user defined thresholds are breached, change configuration parameters and assign user access to ports and plugs all in a single 1U device.

Applications:

- Local or Remote Console Port Switching
- Remote Power Management and Control
- UNIX Serial Console Management
- TCP/IP, Dial-Up, SSH or Telnet Access to Consoles at Remote Locations
- In-Band/Out-of-Band Network Management
- Reboot Servers, Routers, Web Cams, Firewalls and Other Remote Devices



RSM-8R4 Secure Console + Power Switch with Internal Modem



RSM-8R4-2

Intelligent Port Selection

Each of the eight RJ45 RS-232 ports can be individually accessed by number or name. Ports can be individually configured via either Telnet or Web interface to set passwords, data rates, parity, flow control and many other operating parameters. Full matrix capability allows each port to connect to any other port on the switch. Configuration and Status screens display parameters and connection activity for one or all ports.

Power Control

Easy to use commands and simple Web based menus allow you to assign plug names, default On/Off status, plug priority and other parameters to each of the four AC Power outlets. Outlets can be individually switched On, Off, Booted or set to default status using plug numbers or names. For power sequencing, each plug can be assigned a power-up time and priority and will wait for the selected duration before proceeding to the next plug.

Internal Modem

The internal 33.6 Kbps modem provides secure dial-in capability. A password feature prevents unauthorized access to sensitive command functions. When needed, the Dial Back feature can be enabled, to instruct the unit to call the user's predefined number before allowing access.

Capture Buffer

"Buffer Mode" allows individual ports to capture and store incoming data. This "snapshot" of the last 64K of received data is stored in SDRAM memory, and can be viewed, saved or erased by the system administrator at any time. This proves particularly useful when alarm information or other critical data is sent to a specific port during non-connect periods.

Security and Co-Location Features:

Secure Shell (SSHv2) encryption and address-specific IP security masks help to prevent unauthorized access to command and configuration functions. The RSM-8R4 also provides four different levels of security for user accounts: Administrator, SuperUser, User and ViewOnly. The RSM-8R4 includes full Radius, LDAP and TACACS capability, DHCP and an invalid access lockout feature. An Audit Log records all user access, login and logout times and command actions, and an Alarm Log can be set up to record all user-defined alarm events.

Specifications:

Network Interface:

Network Port: Ethernet 10/100Base-T, RJ45

RS-232 Interface:

Connectors: Eight(8) RJ45 Connectors (DCE Pinout)

Coding: 7/8 Bits, Even/Odd/None Parity,

1,2 Stop Bits

Flow Control: Xon/Xoff, RTS/CTS, Both, None

Data Rate: 300 bps to 115,200 bps

Modem: V.34, RJ-11

Operation Features:

Timeout: No Activity Disconnects Port/Modem Session;

None, 2, 5, 15, 30 minutes

Memory: Stores parameters in flash memory, Buffered port data stored in SDRAM, 64K, Statically Allocated.

Breaks: Pass Break or Inhibit Break

Site ID: 32 Characters

Port Names: 16 Characters; Plug Names: 24 Characters

Passwords: 16 Characters (Case Sensitive)

Usernames: 32 Characters (Case Sensitive)

LED's: Power On, Ready, Data Carrier, Network Activity, Data

Activity (1-6) , Plug On/Off (1-4)

Power:

Model RSM-8R4-1 (120Vac)

AC Input: IEC320-C14, 15 Total Amps Max.

Voltage: 100-120VAC 50/60Hz

AC Outputs: Four (4) NEMA 5-15P, 15Amps Max

Model RSM-8R4-2 (220 Vac)

AC Input: IEC320-C14, 10 Total Amps Max.

Voltage: 208-240VAC 50/60Hz

AC Outputs: Four (4) IEC320-C13, 10 Amps Max.

Physical/Environmental:

Size:

Height: 1.75" (4.5cm)-One Rack U

Depth: 6.5" (16.5 cm)

Width: 17.0" (43.2 cm)

19" Rack Brackets Included

Shipping Weight: Eight Pounds

Operating Temperature: 32F to 122 F (0-50C)

Humidity: 10 to 90% RH

Agency Approvals:

UL, cUL, CE, FCC Class A



Distributed by

i-Tech Company LLC

TOLL FREE: (888) 483-2418 • EMAIL: info@itechlcd.com • WEB: www.iTechLCD.com