

PC Share™

Connect 2, 3, 4 or 5 keyboards, monitors and mice to a single PC and access up to 1,000 feet away

PC Share

 Raritan

Multiple stations for one PC

PC-Share is designed to provide a simple, cost-effective “means” to allow several user stations to share PC resources. With PC-Share, more than one user station, each with a keyboard, VGA monitor and PS/2 mouse, can alternately access and operate one PC from locations up to 1,000 feet away from the PC.

- Access one PC, either PS/2 or AT, from multiple locations
- Share PC application data and peripherals
- Maximize PC utilization, save steps, increase productivity
- Secure PC in clean, safe place
- Extend stations with coaxial or Category 5 UTP cable

Convenient access

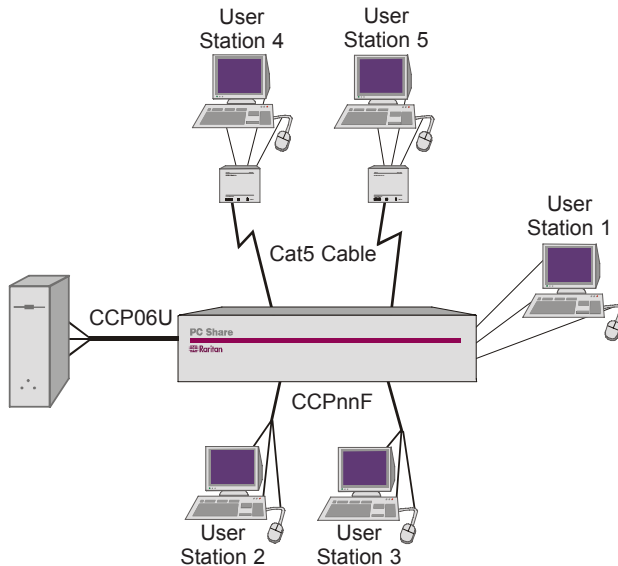
Up to five user stations can be connected for convenient access to the PC from wherever you need to be. User adjustable *time-out* and *private view* functions make operation simple and secure.

 Raritan.

800-724-8090

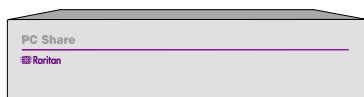
PC Share™

Two to five user stations can share access to one PC, either PS/2 or AT. All users can take control of the PC on first come first served basis. Only one user station (keyboard and/or mouse) is "active" at any one time. That active user station has exclusive control of the PC until the user is idle exceeding time-out limit. All attached monitors display that PC's video output, unless the active user invokes the "Private View" function. The user can adjust time-out limit from 2 to 99 seconds.

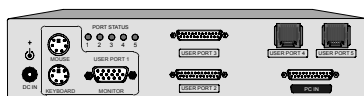


A 2 foot cable, CCP06U, is provided to connect PC-Share to the PC's keyboard, VGA video, and mouse ports. Optional extension cables up to 30 feet are available.

For user station 1, plug the peripherals directly into the PC-Share. For user stations 2 and 3, use coaxial extension cables (CCPnnF) in lengths of 2, 5, 6, 13, 20 and 30 feet. For user stations 4 and 5, use standard Category 5 UTP cables up to 1,000 feet. The single PC can then be accessed and operated from any of the user stations.



PCSH5



Features

- Easy "plug and play" installation
- Connect user stations with coaxial or Category 5 UTP cable
- Locate PC-Share up to 30 feet from PC
- Locate user stations up to 1,000 feet away
- Keyboard and mouse emulation for error-free operation
- User adjustable "time-out" limit for equal access
- High-resolution VGA, SVGA, XGA video at any distance
- Private View function to blank video on selected monitors
- Support any brand PC, Alpha, RS/6000, HP9000, SGI
- Support Mac and Sun with Raritan's Guardian converters

Specifications of Components

PCSH5 (PC-Share unit for 5 stations)

Dimensions	7.534" (W) x 4.125 (D) x 1.703 (H) 267mm (W) x 191mm (D) x 44mm (H)
Weight	2.5 lbs (1.1 kg)
Power	6V DC (Adapter included)
Connection to PC	2' universal cable kit CCP06U included Extension to 30' available
User Port 1	6 pin k/b, 6 pin mouse, HD15
User Ports 2, 3	DB25 for CCPnnF cable
User Ports 4, 5	RJ45 for Category 5 UTP cable

URKVMG (Optional Receiver for Category 5 UTP cable access)

Dimensions	4.30" (W) x 3.60" (D) x 1.00" (H) 109mm (W) x 91mm (D) x 25mm (H)
Weight	0.5 lbs (.2 kg)
Power	6V DC (Adapter Included)
User Ports	6 pin k/b, 6 pin mouse, HD15

Warranty Two Years