

# SBW-97-TP

## Rechargeable, Wireless Keyboard with Touchpad



The SBW-97-TP is the first rechargeable, wireless keyboard with the unique ability to pair to a USB dongle over a 802.11G wireless frequency. Unlike traditional wireless keyboards, pairing of the SBW-97-TP does not require the user to press a button on the USB radio dongle or interact with the computer operating system. Once the USB dongle has been installed in the host computer, pairing is only a two keystroke procedure. This exclusive feature allows for a keyboard to be moved from computer to computer and paired for operation directly at the keyboard.

The SBW-97-TP is rechargeable via the provided micro USB connection and stays charged for approximately 2 weeks with regular use. Manufactured with an integrated touchpad pointing device, the SBW-97-TP offers LED indicators for pairing, battery life, and charging, and it can be mounted for added ease of use. Optional magnetic mounting is available. With a fully-sealed industrial silicone rubber pad and polycarbonate case, the SBW-97-TP is engineered for NEMA 4x specifications, making it resistant to water, dust, and compatible with hospital cleaning agents. Featuring a CleanLock™ key, the SBW-97-TP can be quickly disabled during the sanitizing process making this keyboard ideal for use in ORs, patient rooms, medical carts, and nursing stations.

For product demos and features, visit [iKey's YouTube channel](#).

### Technical Specifications

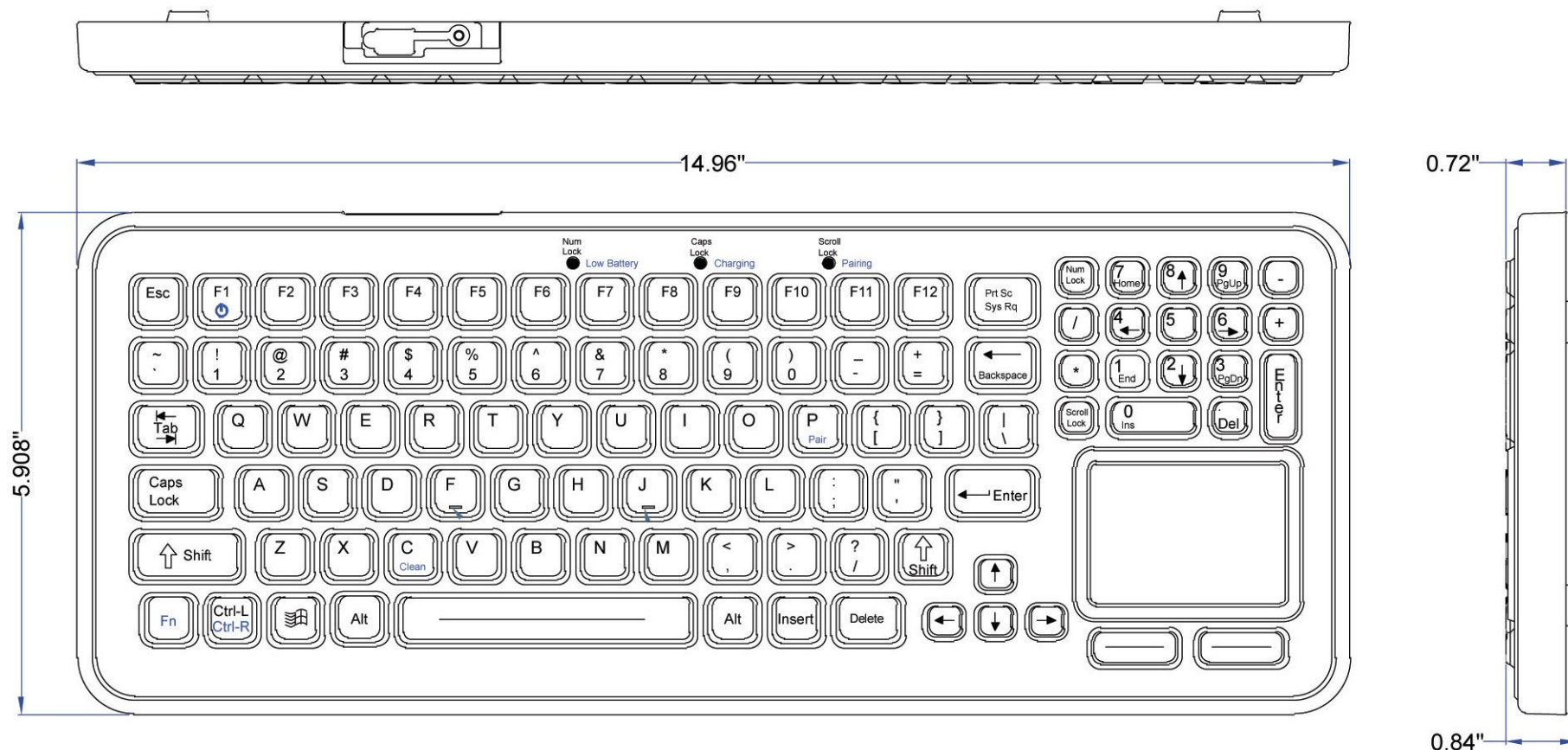
Certifications	NEMA 4X, CE UL60950, FCC Part 15 Class B
Shock	3x11 ms pulses of 50g on each of 3 axes
Key Switch	MATERIAL: Industrial silicone rubber LIFE: Greater than 10 million cycles TRAVEL: 0.055 in. (1.4mm) ACTUATION FORCE: 7.05 oz +/- 1.06 oz. (200g +/- 30g) FEEDBACK: Tactile with mechanical snap
Vibration	POWER SPECTRAL DENSITY: 0.04g/Hz FREQUENCY RANGE: 20Hz - 2 kHz DURATION OF TEST PER AXIS: 3 hours
Power	Wireless 802.11 RF, USB Rechargeable Polymer Lithium-Ion Battery. 860mAh
Compatibility	KEYBOARD: Wireless interface connects to included USB Dongle All Windows Operating Systems
Temperature Range	STORAGE: -40C to +70C (-40F to +158F) OPERATING: -20C to + 60C (-4F to +140F)
Weight	1.4 lbs +/- 0.10 lbs (0.64 kg +/- 0.05 kg)
Warranty	1 year limited warranty
Humidity	100% Humidity Resistant
Dimensions	14.96" x 5.91" x 0.84" (w-h-d) 379.984mm x 151.9 mm x 21.3mm
Model Numbers	SBW-97-TP

### Features and Benefits

- 10-Key Numeric Pad
- Compatible with Hospital Cleaning Agents
- Up to a 30-foot Range
- Wireless 802.11 RF
- CleanLock™
- 12 Function Keys
- Lightweight ABS Polycarbonate Case
- Built-In Mounting Holes
- USB Rechargeable

# SBW-97-TP

DATE	CHANGES	INTL	REV
12.28.11	Original	TWH	1.0



## KEY SWITCH

MATERIAL: Industrial Silicone Rubber  
 LIFE: Greater Than 10 Million Cycles  
 TRAVEL: 0.055 in.  
 ACTUATION FORCE: 7.05 oz. +/- 1.06oz (200g +/- 30g)  
 FEEDBACK: Tactile with Mechanical Snap

## TEMPERATURE RANGE

STORAGE: -40°F to +158°F (-40°C to +70°C)  
 OPERATING: -4°F to +140°F (-20°C to +60°C)

## VIBRATION

POWER SPECTRAL DENSITY: .04g/HZ  
 FREQUENCY RANGE: 20Hz-2Khz  
 DURATION OF TEST PER AXIS: 3 hours

## POWER

Wireless 802.11 RF  
 USB Rechargeable Polymer lithium-ion Battery, 860mAh

## HUMIDITY

100% Humidity Resistant

## SHOCK

3 X 11 ms pulses of 50g on each of 3 axis

## WEIGHT

1.4 ± 0.10 lbs (0.64 ± 0.05 kg)

PROPRIETARY AND CONFIDENTIAL

Part Number: SBW-97-TP

Drawing Number: MKT0306

Sheet: 1 OF 2

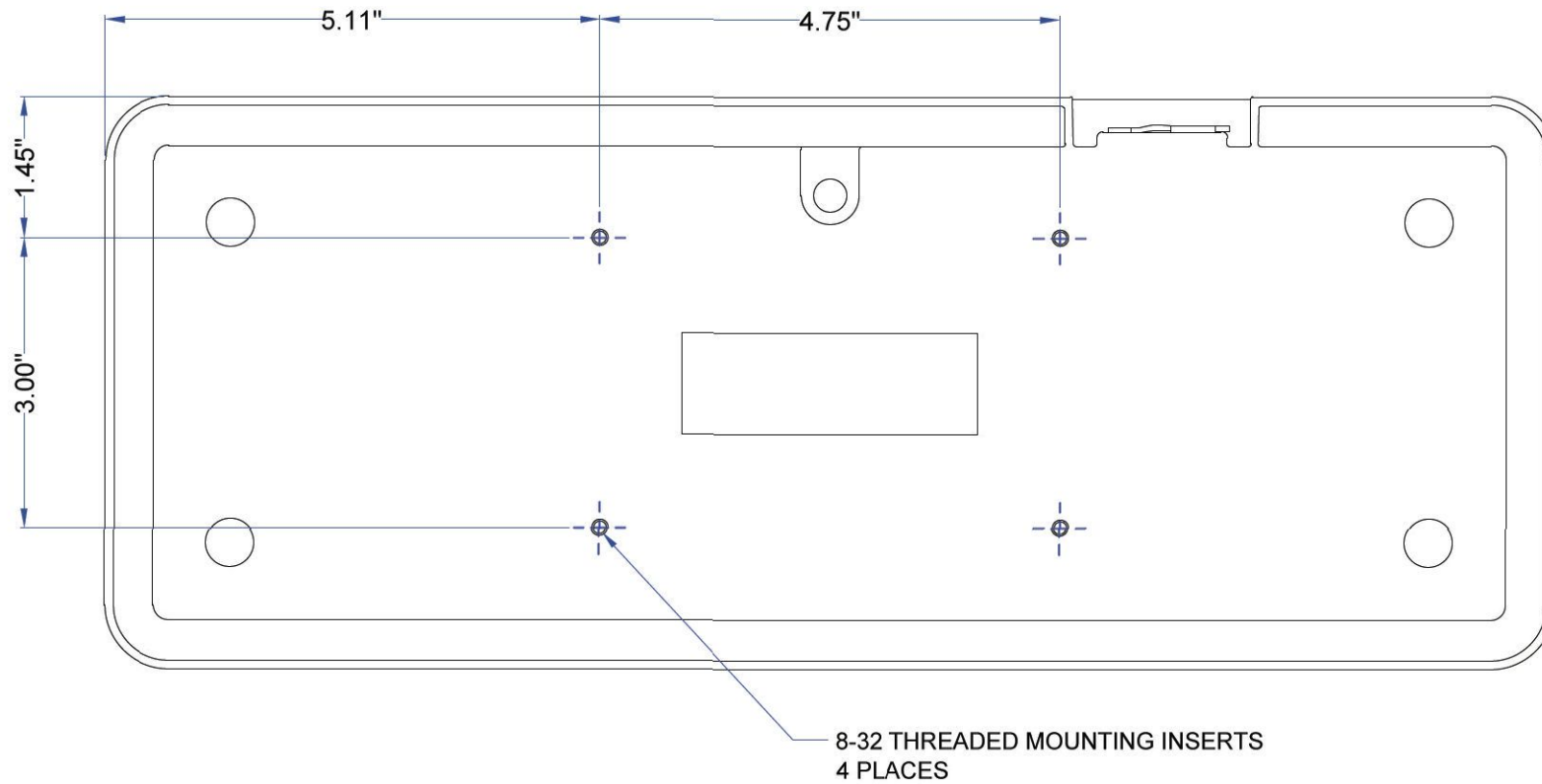
Drawing Title: SBW-97-TP-MKT

Revision: 1.0

Date: 12.29.2011

TWH

# SBW-97-TP MOUNTING



PROPRIETARY AND CONFIDENTIAL

Part Number: SBW-97-TP

Drawing Number: MKT0306

Sheet: 2 OF 2

Drawing Title: SBW-97-TP-MKT

Revision: 1.0

Date: 12.29.2011 | TWH



Distributed by:

i-Tech Company LLC

TOLL FREE: (888) 483-2418 • EMAIL: [info@iTechLCD.com](mailto:info@iTechLCD.com) • WEB: [www.iTechLCD.com](http://www.iTechLCD.com)