



**1000 nits**

Rugged Completely Sealed IP66/NEMA4X  
Stainless Steel Chassis/Surface Mount Panel PC

## Model: SCHW2700HB-SIP-PC5-IR

27" High Brightness Panel PC LCD monitor LED backlight, 1920 x 1080, 1000 nits, with 2mm AR glass and DVI input, Integrated with i5 processor QM77 2.7 GHz, IR touch Screen and USB Controller

### FEATURES

- 27" Bright Active Matrix TFT Display, 1000 Nits (cd/m<sup>2</sup>)
- 1920 x 1080 High Resolution
- Integrated with i5 processor QM77 2.7 GHz, 32GB SSD/0~70C, 4GB Memory, Win 7 pro 32bit OS, DVI(for video signal input), LAN, RS232, USB \* 2, Power x 1 waterproof connectors & cables (6ft)
- NEMA 4X (IP66) 304 Stainless Steel Gasket Sealed Enclosure
- DVI-D only for external video input
- Included all water proof connectors and 6ft long water proof cables.
- LED backlight Energy Efficient, Low Power Consumption
- High Environmental Performance and Reliability
- Anti-Reflective Protective Glass
- Wide Operational Temperature Range, 0°C to +50°C (32°F to +122°F)
- RoHS Compliant
- VESA mount compliant.



NEMA 4X



VESA Mount



High Contrast



Low Power



Wide Viewing Angle

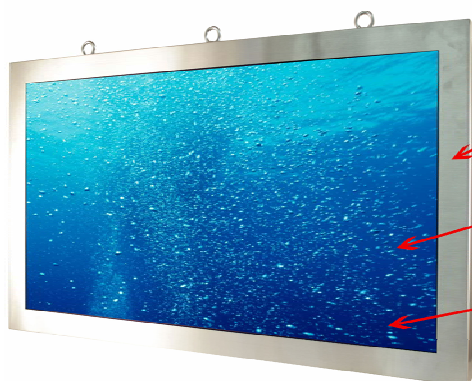


Built-in PC

### OPTIONS

- Optional Custom fitting for purging the monitor's enclosure
- Optional for 9-36V DC input
- Optional 5 Wired Resistive touch/ IR/ PCap Touch Screen (USB Default/ RS232 per request controller)
- Optional High Brightness 1000nits For Semi outdoor application
- Optional for Auto Dimming Sensor
- Optional for IR Remote Control with Front Sensor.
- Optional Heater for lower temperatures -30C (-22F)
- Optional Integrated VGA/ DVI Extender
- Transmission length up to 1,000ft over CAT5e cable for VGA input
- Transmission length up to 300ft over CAT5e cable for DVI input

### Rugged Completely Sealed IP66/NEMA4X Stainless Steel Chassis/Surface Mount LCD Monitor



Water Proof Solution, Full IP NEMA4 Rating front and back

Stainless and Aluminum Housing Chassis Design

AR Glass Protective Glass at front

Optional High Brightness and Touch screen

\* IP65 Water and Dust proof connection for a higher protection

\* All Connectors are facing backward



i-Tech Company LLC  
TOLL FREE: (888) 483-2418  
• EMAIL: [info@itechlcd.com](mailto:info@itechlcd.com)  
• WEB: [www.iTechLCD.com](http://www.iTechLCD.com)



USA Based Company. Most of our Industrial LCD Monitor are assembled, tested, shipped from our CA headquarter, giving us the ability to provide best service to your needs.

## SPECIFICATION

| LCD Display                     |                                     |
|---------------------------------|-------------------------------------|
| Size / Panel Type               | 27" TFT LCD Panel                   |
| Resolution                      | 1920 x 1080                         |
| Brightness (cd/m <sup>2</sup> ) | 1000 cd/m <sup>2</sup>              |
| Contrast Ratio                  | 3000 : 1                            |
| Response Time                   | 12 ms                               |
| Backlight                       | LED Backlight Unit                  |
| Colors                          | 16.7M colors                        |
| Viewing Angles                  | 178°/178°                           |
| Surface Hardness                | 7H                                  |
| Touch Screen (Optional)         |                                     |
| Touch Screen Type               | 10 Point Projected Capacitive Touch |
| Surface Hardness                | 7H                                  |
| Environment                     |                                     |
| Operating Temperature           | 0°C~+50°C                           |
| Storage Temperature             | -20°C~+60°C                         |
| Humidity                        | 5%~95% RH(Non-Condensing)           |
| Water-Proof Rating              | IP66/NEMA4, 6 Side Water-Proof      |

| System            |  |
|-------------------|--|
| CPU / Memory      | i5 processor QM77 2.7 GHz, 32GB SSD/0~70C,4GB Memory |
| OSD               | Menu, Auto, On/Off, Up, Down                         |
| I/O Interface     | DVI x 1 + RS232 x 1 + USB x 2 + POWER x 1 + LAN x 1  |
| Power Input       | 12~30V DC  |
| Power Consumption | 35W~42W (MAX. for USB HDD)                           |
| Certification     | FCC/CE/RoHS/UL/cUL Compliance                        |
| Mounting          | VESA 75 x 75mm; 100 x 100mm                          |
| Dimension/Weight  | 640.4mm (W) x 401.3mm (H) x 53.8mm (D)               |

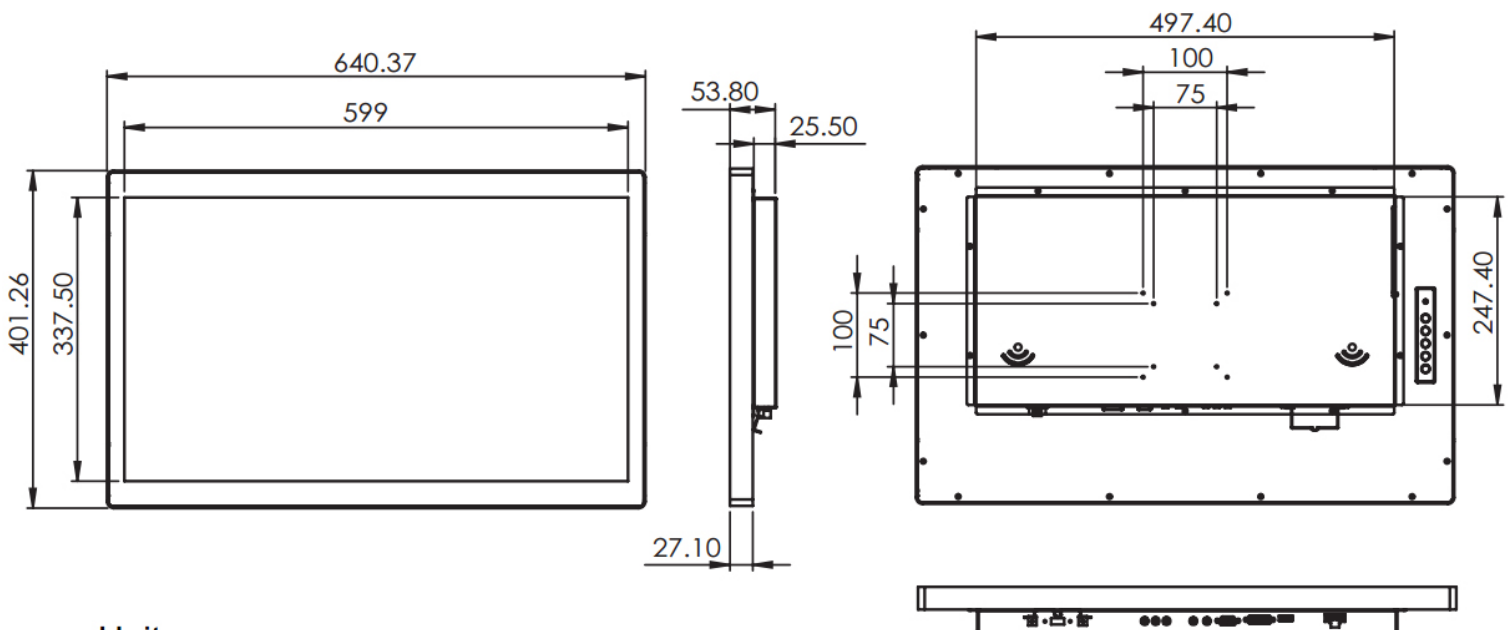
## ACCESSORIES

|                                      |
|--------------------------------------|
| Water proof DVI cable 6ft long x 1   |
| Water proof LAN cable 6ft long x 1   |
| Water proof Power cable 6ft long x 1 |
| RS232 Connector 6ft long x 1         |
| USB Connector 6ft long x 2           |

## PHOTO GALLERY



## MECHANICAL DRAWINGS



Unit: mm



i-Tech Company LLC  
TOLL FREE: (888) 483-2418  
• EMAIL: [info@itechlcd.com](mailto:info@itechlcd.com)  
• WEB: [www.iTechLCD.com](http://www.iTechLCD.com)



USA Based Company. Most of our Industrial LCD Monitor are assembled, tested, shipped from our CA headquarter, giving us the ability to provide best service to your needs.