

SK-102-M

Mobile Keyboard with HulaPoint™

iKey's SlimKey™ SK-102-M keyboard provides full-size versatility in a rugged, compact design, with the added convenience of an integrated HulaPoint™



The SlimKey™ SK-102-M is engineered to meet NEMA 4X specifications and is ideal for use in industrial, medical and material handling applications. The large numeric pad on the SK-102-M allows for easy data entry, while the robust polycarbonate case is durable in the roughest of environments.

Technical Specifications

Certifications	NEMA 4X UL60950, FCC Part 15 Class B
Shock	3x11 ms pulses of 50g on each of 3 axes
Cable	LENGTH: 10' straight (3 m)
Key Switch	MATERIAL: Industrial silicone rubber LIFE: 10 million cycles TRAVEL: 0.055 in. (1.4mm) ACTUATION FORCE: 7.05 oz +/- 1.06 oz (200g +/- 30g) FEEDBACK: Tactile with mechanical snap
Vibration	POWER SPECTRAL DENSITY: 0.04g/Hz FREQUENCY RANGE: 20Hz - 2 kHz DURATION OF TEST PER AXIS: 3 hours
Power	PS/2: KEYBOARD: 50mA@5V (from Keyboard port) HULAPOINT: 35mA@5V (from Mouse port) USB: 85mA@5V (from CPU port)
Flammability	PRINTED CIRCUIT BOARD: 94 VO SILICONE OVERLAY: 94HB
Compatibility	PS/2 KEYBOARD/HULAPOINT: All Windows Operating Systems USB KEYBOARD/HULAPOINT: All Windows and Macintosh OS
Temperature Range	STORAGE: -40C to +90C (-40F to +194F) OPERATING: -40C to +70C (-40F to +158F)
Weight	2 lbs +/- 0.10 lbs (0.91 kg +/- 0.05 kg)
Warranty	1 year limited warranty
Humidity	100%
Dimensions	14.50" x 5.50" x 1.56" (w-h-d) 368.3mm x 139.7mm x 39.6mm

Features and Benefits

- 12 Function Keys
- MS Windows Function Keys
- USB and PS/2 configurations available
- Integrated HulaPoint Pointing Device
- Polycarbonate Case with Mounting Holes

SK-102-M

DATE	CHANGES	INTL	REV
08.13.10	Original	JMW	1.00



KEY SWITCH

MATERIAL: Industrial Silicone Rubber
 LIFE: Greater Than 10 Million Cycles
 TRAVEL: 0.055 in.
 ACTUATION FORCE: 7.05 oz. +/- 1.06oz (200g +/- 30g)
 FEEDBACK: Tactile with Mechanical Snap

TEMPERATURE RANGE

STORAGE: -40°F to +194°F (-40°C to +90°C)
 OPERATING: -40°F to +158°F (-40°C to +70°C)

VIBRATION

POWER SPECTRAL DENSITY: .04g/HZ
 FREQUENCY RANGE: 20Hz-2Khz
 DURATION OF TEST PER AXIS: 3 hours

POWER

PS2:
 KEYBOARD: 50mA@5V (from Keyboard port)
 POINTER: 35mA@5V (from Mouse port)
 USB: 85mA@5V (from CPU port)

HUMIDITY

100% Humidity Resistant

SHOCK

3 X 11 ms pulses of 50g on each of 3 axis

WEIGHT

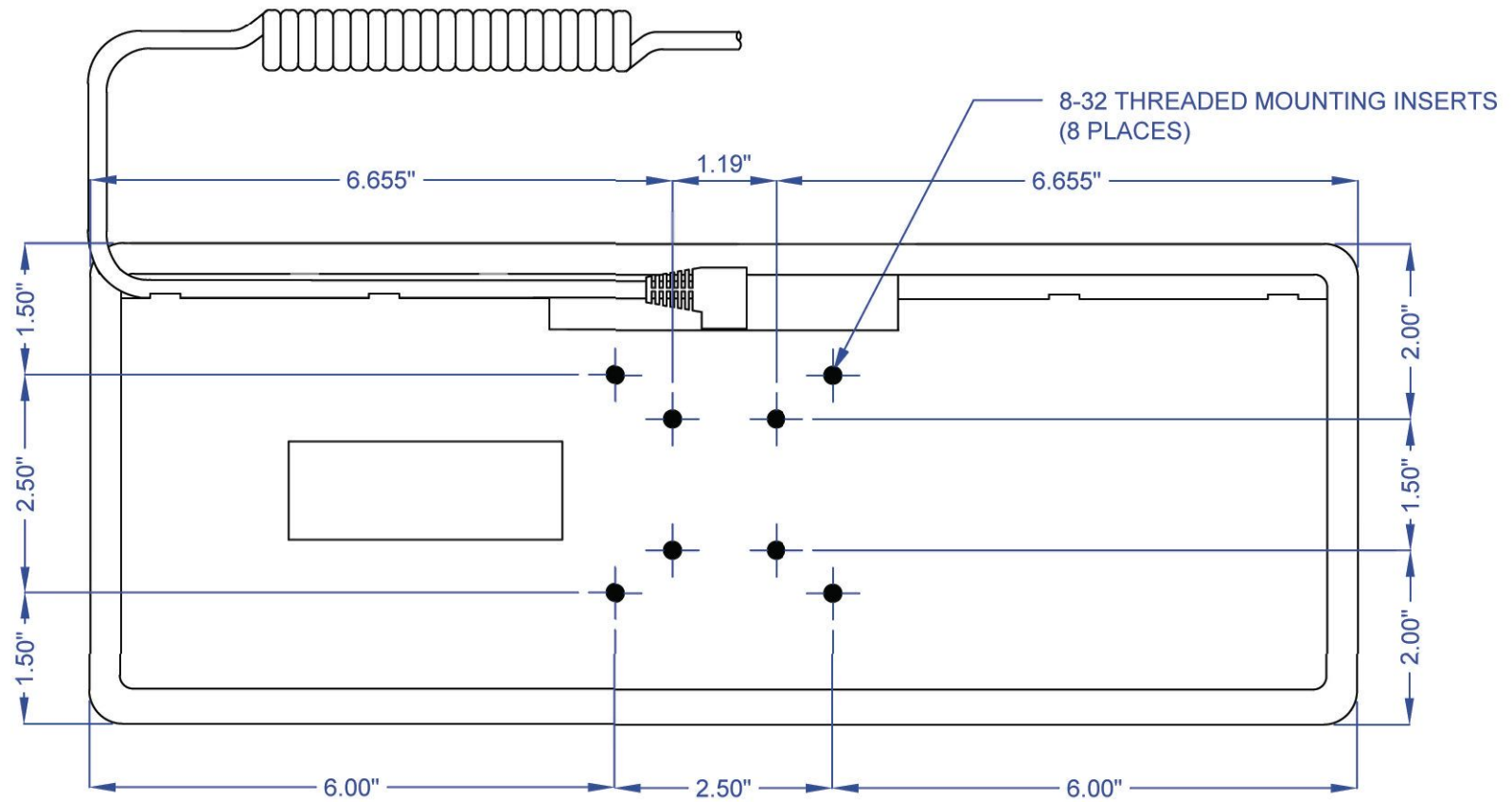
2.00 lbs +/- 0.10 lbs (0.91 kg +/- 0.05 kg)

PROPRIETARY AND CONFIDENTIAL

SCALE: 1:2

Part Number: SK-102-M	Drawing Number: MKT0238	Sheet: 1 OF 2
Drawing Title: SK-102-M-MKT	Revision: 1.00	Date: 08.13.10 JMW

SK-102-M BACK/MOUNTING



ENCLOSURE CASE: ABS/Polycarbonate

PROPRIETARY AND CONFIDENTIAL

SCALE: 1:2

Part Number: SK-102-M	Drawing Number: MKT0238	Sheet: 2 OF 2	
Drawing Title: SK-102-M-MKT	Revision: 1.00	Date: 08.13.10	JMW



Distributed by:
 i-Tech Company LLC
 TOLL FREE: (888) 483-2418 • EMAIL: info@iTechLCD.com • WEB: www.iTechLCD.com