

SK-79-M

Compact Mobile Keyboard with HulaPoint II™

The SK-79-M has been designed for those mobile applications when a small-footprint keyboard will come in handy. Featuring an integrated HulaPoint II™ pointing device with dual left-click capability, the SK-79-M offers a large amount of functionality in an ultra-small package. Like other keyboards in the iKey line, the SK-79-M features sealed industrial silicone rubber keypads, along with robust ABS polycarbonate cases. The SK-79-M features mounting holes in its case.



Technical Specifications

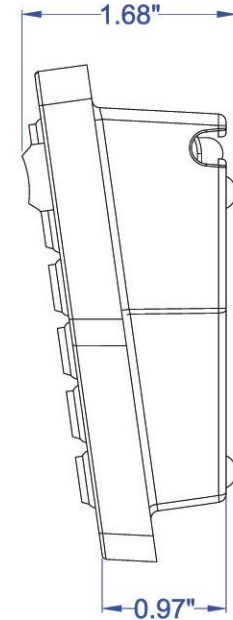
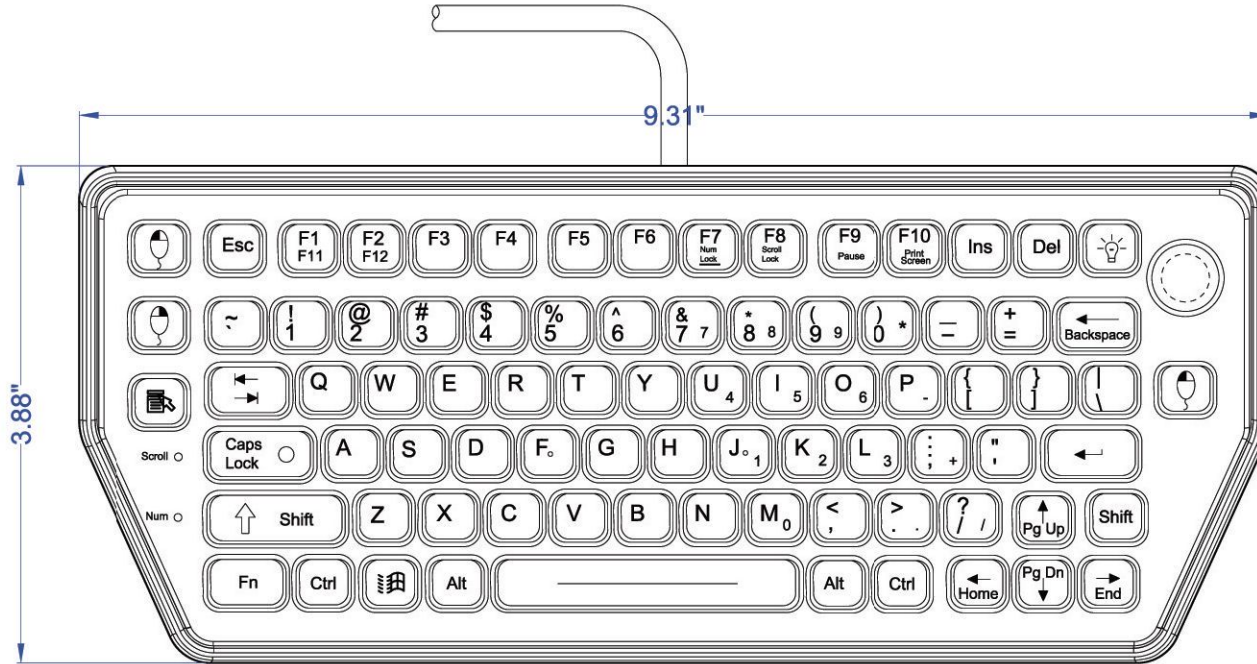
Certifications	NEMA 4X, CE UL60950, FCC Part 15 Class B
Shock	3x11 ms pulses of 50g on each of 3 axes
Cable	LENGTH: 3 feet (0.91 meters) DESIGN: "Y" PS/2 Cable (providing separate keyboard and mouse connections), or Single-Cable USB
Key Switch	MATERIAL: Industrial silicone rubber LIFE: Greater than 10 million cycles TRAVEL: 0.055 in. (1.4mm) ACTUATION FORCE: 4.76 oz +/- 1.06 oz (135g +/- 30g) FEEDBACK: Tactile with mechanical snap
Vibration	POWER SPECTRAL DENSITY: 0.04g/Hz FREQUENCY RANGE: 20Hz - 2 kHz DURATION OF TEST PER AXIS: 3 hours
Power	PS/2: KEYBOARD: 50mA@5V (from Keyboard port) POINTER: 35mA@5V (from Mouse port) USB: 85mA@5V (from CPU port)
Flammability	PRINTED CIRCUIT BOARD: 94 VO SILICONE OVERLAY: 94 HB INTERFACE CABLE: 94 VO
Compatibility	PS/2 KEYBOARD/HULAPOINT: All Windows Operating Systems USB KEYBOARD/HULAPOINT: All Windows and Macintosh OS
Temperature Range	STORAGE: -40C to +70C (-40F to +158F) OPERATING: -20C to +60C (-4F to +140F)
Weight	1 lbs +/- 0.10 lbs (0.45 kg +/- 0.05 kg)
Warranty	1 year limited warranty
Humidity	100% Humidity Resistant
Dimensions	9.31" x 3.88" x 1.68" (w-h-d) 236.5mm x 98.6mm x 40.9mm
Model Numbers	

Features and Benefits

- 12 Function Keys
- Meets NEMA 4X (IP65) Specifications
- USB and PS/2 configurations available
- Integrated HulaPoint II Pointing Device
- Polycarbonate Case with Mounting Holes

SK-79-M

DATE	CHANGES	INTL	REV
08.31.04	Original		1.0
11.21.08	Updated Format	JB	1.0
06.25.09	Updated Dimension Accuracy	JB	2.0



KEY SWITCH

MATERIAL: Industrial Silicone Rubber
LIFE: Greater Than 10 Million Cycles
TRAVEL: 0.055 in.
ACTUATION FORCE: 4.76 oz. +/- 1.06oz (135g +/- 30g)
FEEDBACK: Tactile with Mechanical Snap

POWER

PS2:
 KEYBOARD: 50mA@5V (from Keyboard port)
 POINTER: 35mA@5V (from Mouse port)
USB: 85mA@5V (from CPU port)

TEMPERATURE RANGE

STORAGE: -40°F to +158°F (-40°C to +70°C)
OPERATING: -4°F to +140°F (-20°C to +60°C)

HUMIDITY

100% Humidity Resistant

VIBRATION

POWER SPECTRAL DENSITY: .04g²/HZ
FREQUENCY RANGE: 20Hz-2Khz
DURATION OF TEST PER AXIS: 3 hours

SHOCK

3 X 11 ms pulses of 50g on each of 3 axis

WEIGHT

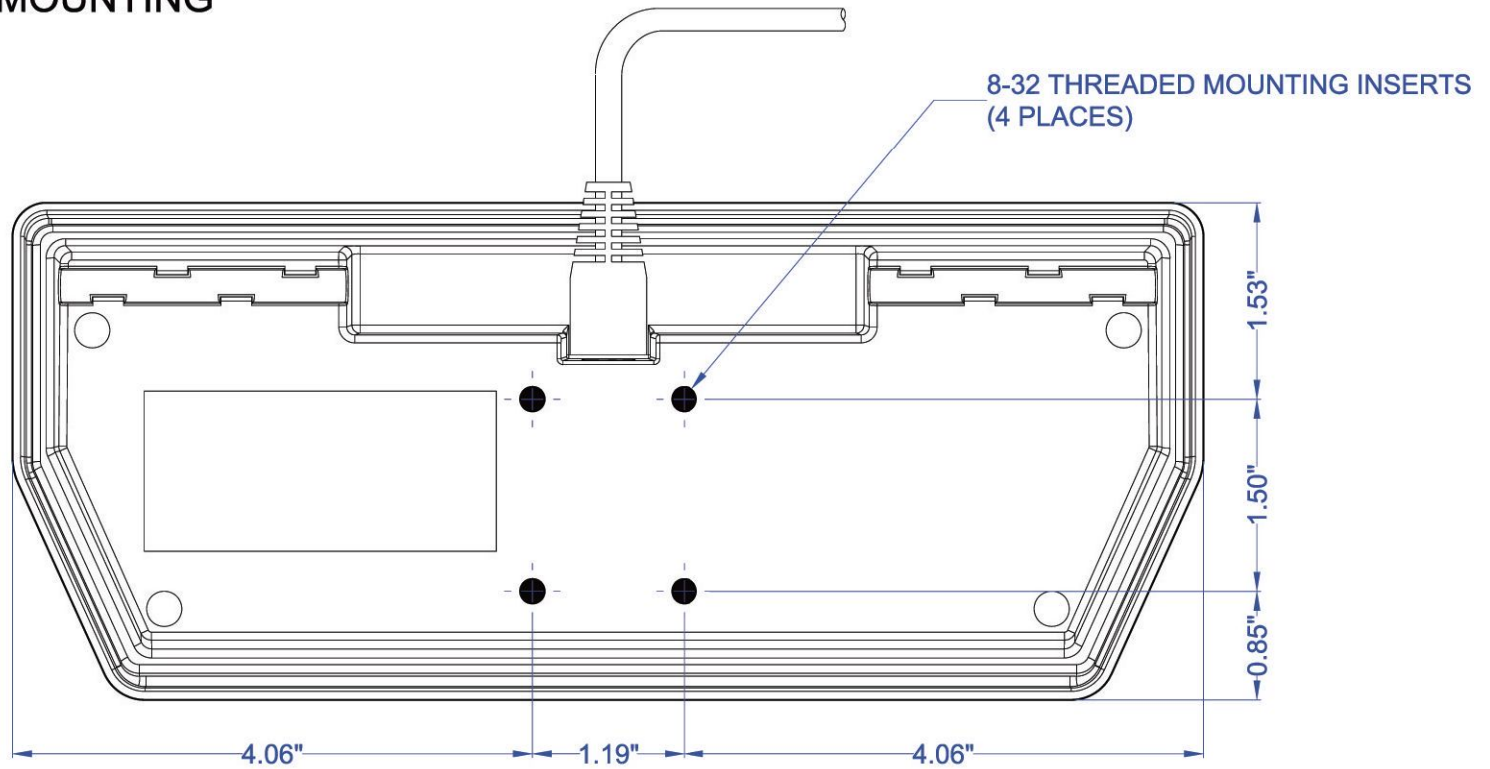
1.00 lbs +/- 0.10 lbs (0.45 kg +/- 0.05 kg)

PROPRIETARY AND CONFIDENTIAL

SCALE: 1:1.5

Part Number: SK-79-M	Drawing Number: MKT0034	Sheet: 1 OF 2
Drawing Title: SK-79-M-MKT	Revision: 2.0	Date: 06.25.09 JWB

SK-79-M BACK / MOUNTING



ENCLOSURE CASE: ABS/Polycarbonate

PROPRIETARY AND CONFIDENTIAL

SCALE: 1:1.5

	Part Number: SK-79-M	Drawing Number: MKT0034	Sheet: 2 OF 2	
	Drawing Title: SK-79-M-MKT	Revision: 2.0	Date: 06.25.09	JWB



Distributed by:
 i-Tech Company LLC
 TOLL FREE: (888) 483-2418 • EMAIL: info@iTechLCD.com • WEB: www.iTechLCD.com