

SL-86-911-461

MIL-STD-461E Approved Rugged Keyboard

iKey's SL-86-911-461 is MIL-STD-461E approved, making this keyboard suitable for surface ships, submarines, aircrafts and other space and ground systems used in military applications. MIL-STD-461E approval ensures that the SL-86-911-461 can coexist with other sensitive equipment without causing interference. This keyboard operates effectively around radios, transmitters and other susceptible equipment without creating adverse effects from conducted disturbances. Additionally, the SL-86-911-461 offers a rugged keyboard and a rugged HulaPoin™ pointing device in one compact package. Other features include a programmable Blackout key and mounting holes for a secure fit in vehicles.



Technical Specifications

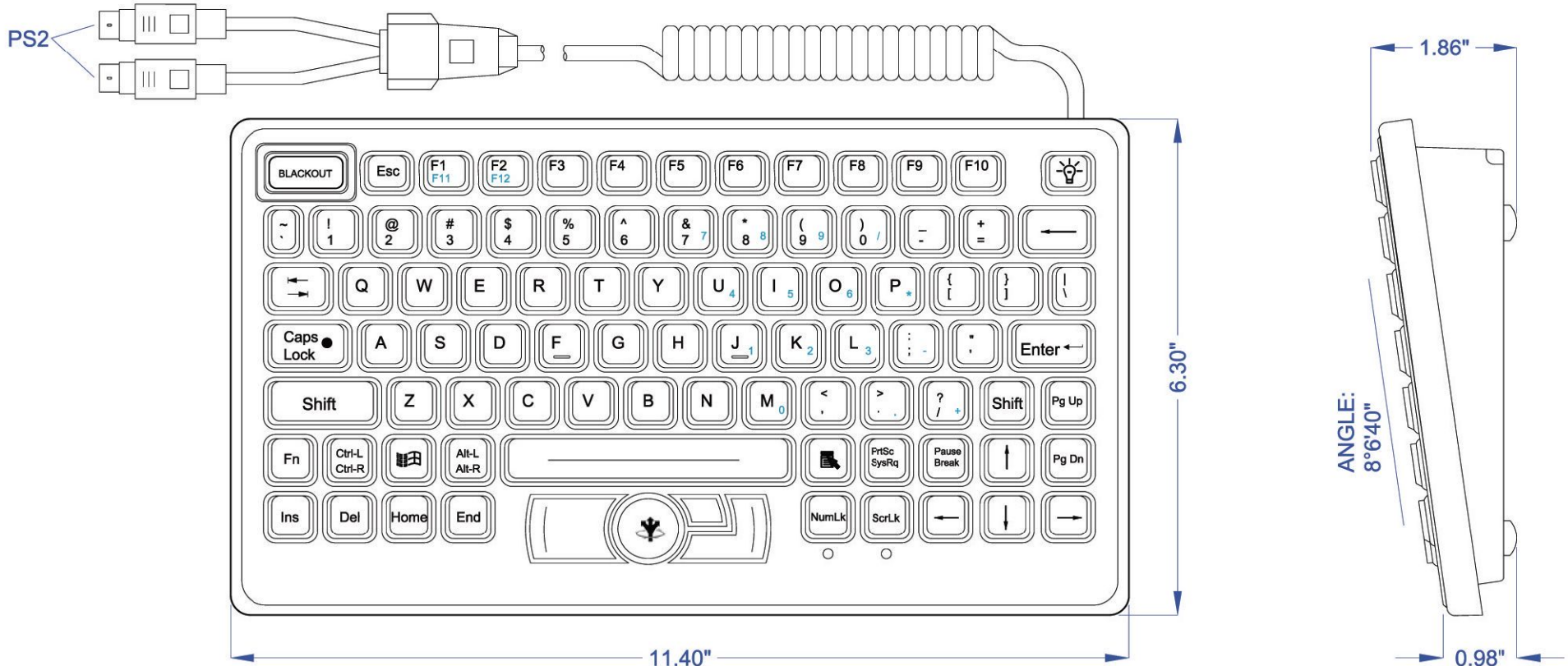
Certifications	NEMA 4X UL60950, FCC Part 15 Class B
Shock	3x11 ms pulses of 50g on each of 3 axes
Cable	LENGTH: 4 ft coiled (1.2 meters) DESIGN: "Y" PS/2 (providing separate keyboard and mouse connections)
Key Switch	MATERIAL: Industrial silicone rubber LIFE: 10 million cycles TRAVEL: 0.055 in. (1.4mm) ACTUATION FORCE: 7.05 oz +/- 0.71 oz (200g +/- 20g) FEEDBACK: Tactile with mechanical snap
Vibration	POWER SPECTRAL DENSITY: 0.04g/Hz FREQUENCY RANGE: 20Hz - 2 kHz DURATION OF TEST PER AXIS: 3 hours
Power	PS/2: 250mA@5V (from PS/2 ports)
Compatibility	PS/2 KEYBOARD/HULAPOINT: All Windows Operating Systems
Temperature Range	STORAGE: -40C to +90C (-40F to +194F) OPERATING: -40C to +70C (-40F to +158F)
Weight	2 lbs +/- 0.10 lbs (0.91 kg +/- 0.05 kg)
Warranty	1 year limited warranty
Humidity	100%
Dimensions	11.40" x 6.30" x 1.86" (w-h-d) 289.6mm x 160.0mm x 47.2mm
Model Numbers	

Features and Benefits

- 12 Function Keys
- Green Backlit Keys
- PS/2
- Mounting Holes
- Integrated HulaPoint Pointing Device
- 86-Key Functionality
- One-Touch Blackout Key
- NumLock Access
- MIL-STD-461E Approved

SL-86-911-461

DATE	CHANGES	INTL	REV
07.15.08	Original	JB	1.00
08.25.08	Updated Format	JB	1.00



KEY SWITCH

MATERIAL: Industrial Silicone Rubber
 LIFE: Greater Than 10 Million Cycles
 TRAVEL: 0.055 in.
 ACTUATION FORCE: 7.05 oz. +/- 0.71 oz (200g +/- 20g)
 FEEDBACK: Tactile with Mechanical Snap

TEMPERATURE RANGE

STORAGE: -40°F to +194°F (-40°C to +90°C)
 OPERATING: -40°F to +158°F (-40°C to +70°C)

VIBRATION

POWER SPECTRAL DENSITY: .04g/HZ
 FREQUENCY RANGE: 20Hz-2Khz
 DURATION OF TEST PER AXIS: 3 hours

POWER

PS2: 250mA@5V (from PS2 ports)

HUMIDITY

100% Humidity Resistant

SHOCK

3 X 11 ms pulses of 50g on each of 3 axis

WEIGHT

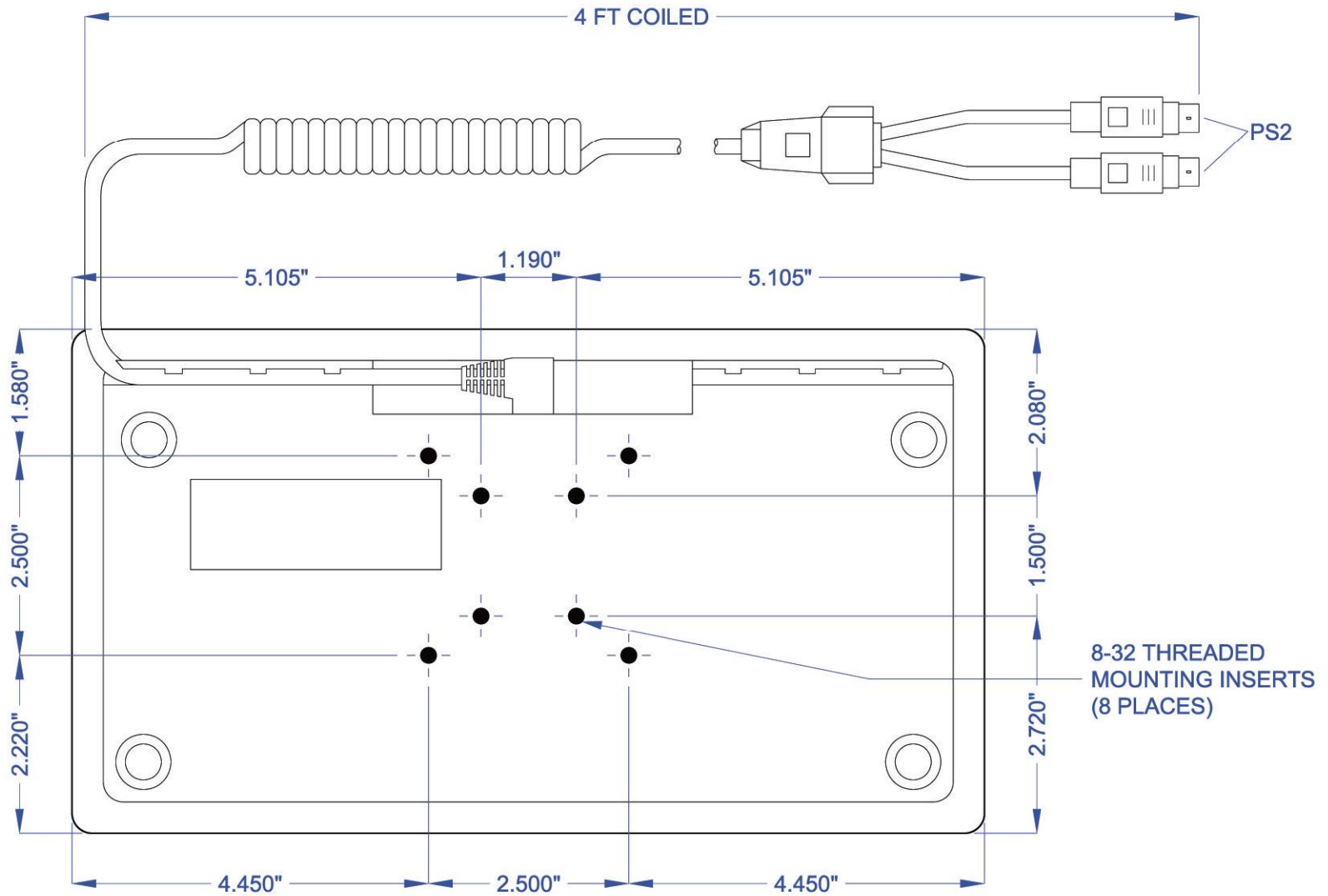
2.00 lbs +/- 0.10 lbs (0.91 kg +/- 0.05 kg)

PROPRIETARY AND CONFIDENTIAL

SCALE: 1:2

Part Number: SL-86-911-461	Drawing Number: MKT0122	Sheet: 1 OF 2
Drawing Title: SL-86-911-461-MKT	Revision: 1.00	Date: 08.25.08 JWB

SL-86-911-461 BACK/MOUNTING



ENCLOSURE CASE: ABS/Polycarbonate

PROPRIETARY AND CONFIDENTIAL

SCALE: 1:2

Part Number: SL-86-911-461

Drawing Number: MKT0122

Sheet: 2 OF 2

Drawing Title: SL-86-911-461-MKT

Revision: 1.00

Date: 08.25.08

JWB



Distributed by:

i-Tech Company LLC

TOLL FREE: (888) 483-2418 • EMAIL: info@iTechLCD.com • WEB: www.iTechLCD.com