

SL-86-911

Industrial Keyboard with Emergency Key

The SL-86-911 offers a rugged keyboard and a rugged computer pointing device in one compact package. Ideal for public safety applications, it features a specially designed emergency key and red LED backlit keys. The SL-86-911 integrates the HulaPoint II™, an upgraded pointing device that offers improved sensitivity and increased durability. Featuring a compact design with mounting holes, the SL-86-911 fits securely in a vehicle's console to serve effectively as a mobile application. It boasts a completely sealed and ruggedized construction that allows it to meet NEMA 4X specifications, ensuring that this keyboard is sealed against the elements or unwanted spills.



Technical Specifications

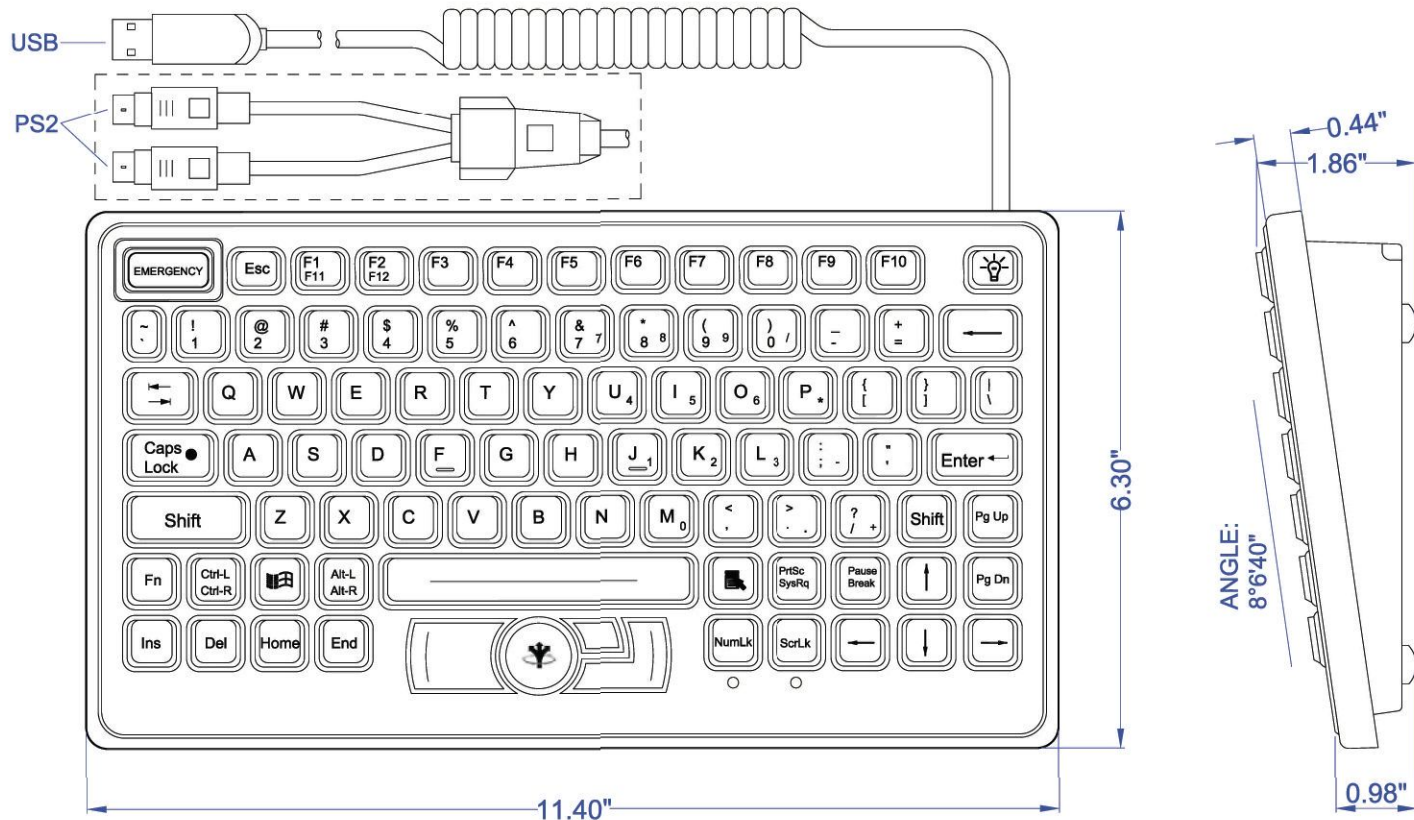
Certifications	NEMA 4X, CE UL60950, FCC Part 15 Class B
Shock	3x11 ms pulses of 50g on each of 3 axes
Cable	LENGTH: 4 ft coiled (1.2 meters) DESIGN: "Y" PS/2 (providing separate keyboard and mouse connections), or Single-Cable USB
Key Switch	MATERIAL: Industrial silicone rubber LIFE: Greater Than 10 million Cycles TRAVEL: 0.055 in. (1.4mm) ACTUATION FORCE: 7.05 oz +/- 1.06 oz (200g +/- 30g) FEEDBACK: Tactile with mechanical snap
Vibration	POWER SPECTRAL DENSITY: 0.04g/Hz FREQUENCY RANGE: 20Hz - 2 kHz DURATION OF TEST PER AXIS: 3 hours
Power	PS/2: KEYBOARD: 200mA@5V (from Keyboard port) POINTER: 35mA@5V (from Mouse port) USB: 235mA@5V (from CPU port)
Compatibility	PS/2 KEYBOARD/HULAPOINT: All Windows Operating Systems USB KEYBOARD/HULAPOINT: All Windows and Macintosh OS
Temperature Range	STORAGE: -40C to +70C (-40F to +158F) OPERATING: -20C to +60C (-4F to +140F)
Weight	2 lbs +/- 0.10 lbs (0.91 kg +/- 0.05 kg)
Warranty	1 year limited warranty
Humidity	100% Humidity Resistant
Dimensions	11.40" x 6.30" x 1.86" (w-h-d) 289.6mm x 160.0mm x 47.2mm
Model Numbers	

Features and Benefits

- 12 Function Keys
- AT/Serial, PS/2 and USB or configurations available
- Integrated HulaPoint II Pointing Device
- 86-Key Functionality
- Integrated Backlighting
- One-Touch Emergency Key

SL-86-911

DATE	CHANGES	INTL	REV
08.26.04	Original		1.0
06.11.09	Updated Format	JB	2.0



KEY SWITCH

MATERIAL: Industrial Silicone Rubber
 LIFE: Greater Than 10 Million Cycles
 TRAVEL: 0.055 in.
 ACTUATION FORCE: 7.05 oz. +/- 1.06oz (200g +/- 30g)
 FEEDBACK: Tactile with Mechanical Snap

TEMPERATURE RANGE

STORAGE: -40°F to +158°F (-40°C to +70°C)
 OPERATING: -4°F to +140°F (-20°C to +60°C)

VIBRATION

POWER SPECTRAL DENSITY: .04g²/HZ
 FREQUENCY RANGE: 20Hz-2Khz
 DURATION OF TEST PER AXIS: 3 hours

POWER

PS2:
 KEYBOARD: 200mA@5V (from Keyboard port)
 POINTER: 35mA@5V (from Mouse port)
 USB: 235mA@5V (from CPU port)

HUMIDITY

100% Humidity Resistant

SHOCK

3 X 11 ms pulses of 50g on each of 3 axis

WEIGHT

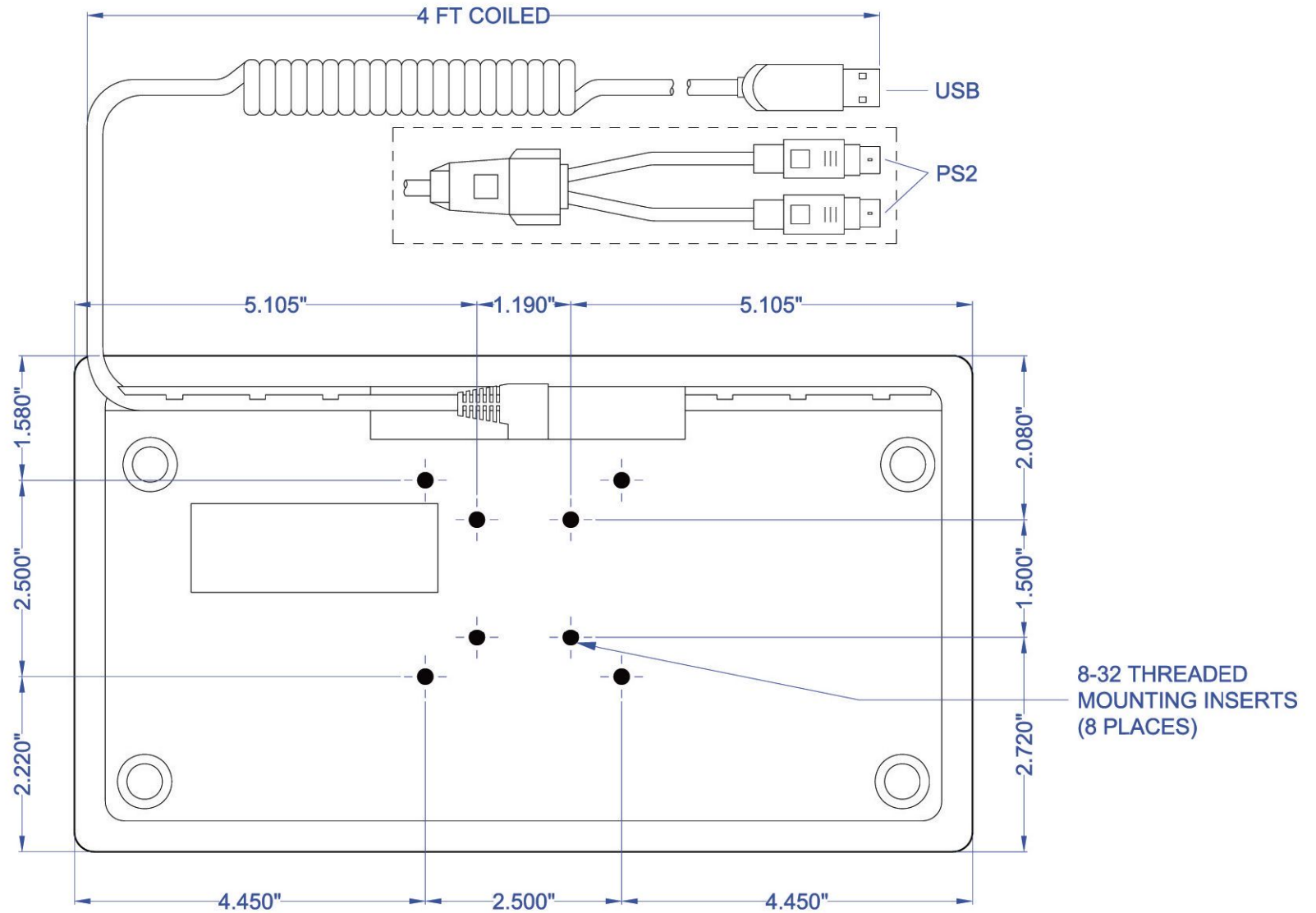
2.00 lbs +/- 0.10 lbs (0.91 kg +/- 0.05 kg)

PROPRIETARY AND CONFIDENTIAL

SCALE: 1:2.25

Part Number: SL-86-911	Drawing Number: MKT0028	Sheet: 1 OF 2	
Drawing Title: SL-86-911-MKT	Revision: 2.0	Date: 06.11.09	JWB

SL-86-911 BACK / MOUNTING



ENCLOSURE CASE: ABS/Polycarbonate

PROPRIETARY AND CONFIDENTIAL

SCALE: 1:2

Part Number: SL-86-911

Drawing Number: MKT0028

Sheet: 2 OF 2

Drawing Title: SL-86-911-MKT

Revision: 2.0

Date: 06.11.09

JWB



Distributed by:

i-Tech Company LLC

TOLL FREE: (888) 483-2418 • EMAIL: info@iTechLCD.com • WEB: www.iTechLCD.com