

# SLK-101C-M

## Backlit Mobile Industrial Keyboard with QuickLock™

iKey's SlimKey™ SLK-101C-M keyboard provides full-size versatility in a rugged, compact design. Designed for easy cleaning, the SLK-101C-M features an integrated "QuickLock™" to disable the keyboard functions during cleaning procedures. It also features green LED backlit keys for use in areas with minimal lighting.



Engineered for NEMA 4X protection from dust, water and corrosive liquids, the SlimKey™ SLK-101C-M is ideal for use in industrial, medical and material handling applications. Its large numeric pads allow for easy data entry, while its robust polycarbonate cases have built-in mounting holes for convenient vehicle use.

### Technical Specifications

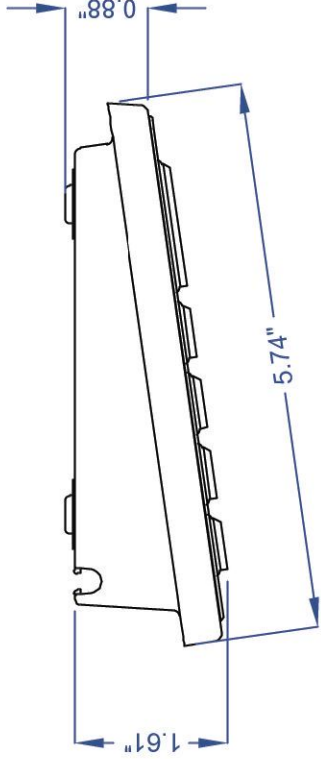
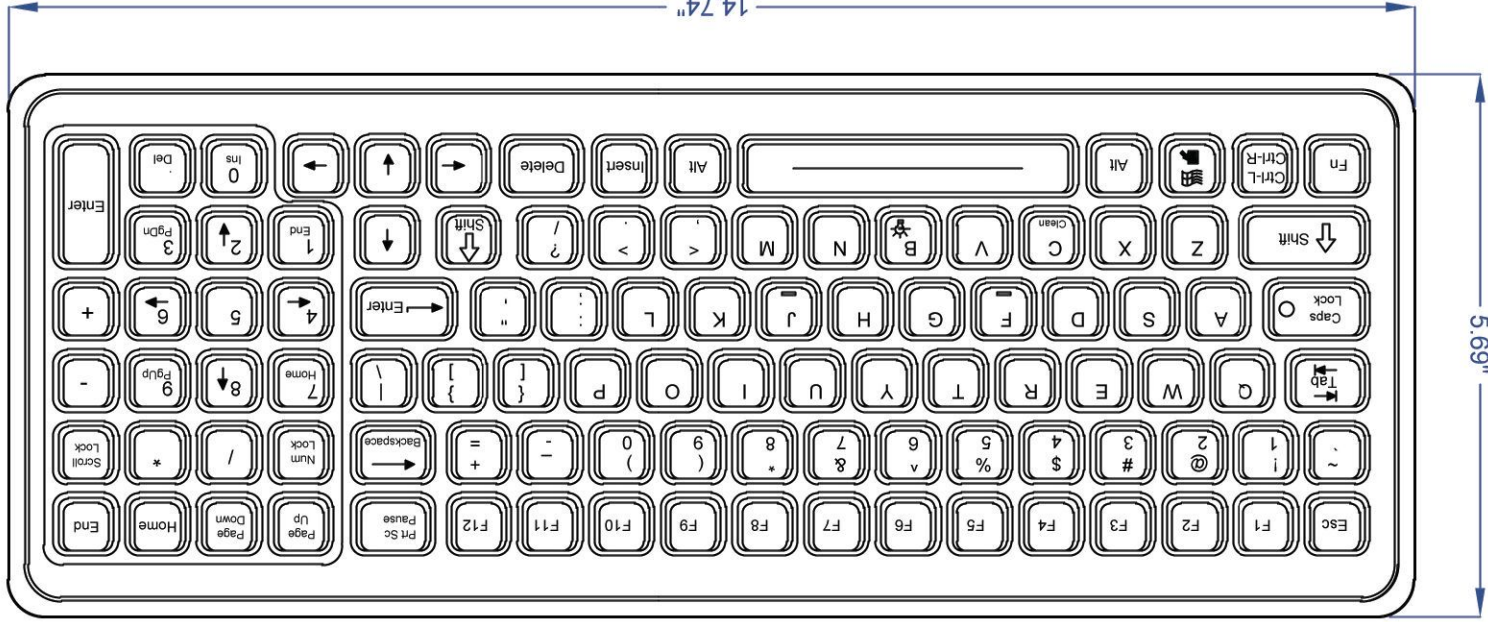
Certifications	NEMA 4X UL60950, FCC Part 15 Class B
Shock	3x11 ms pulses of 50g on each of 3 axes
Cable	LENGTH: 10' straight USB (3 m)
Key Switch	MATERIAL: Industrial silicone rubber LIFE: 10 million cycles TRAVEL: 0.055 in. (1.4mm) ACTUATION FORCE: 7.05 oz. +/- 1.06 oz. (200g +/- 30g) FEEDBACK: Tactile with mechanical snap
Vibration	POWER SPECTRAL DENSITY: 0.04g/Hz FREQUENCY RANGE: 20Hz - 2 kHz DURATION OF TEST PER AXIS: 3 hours
Power	USB: 210mA@5V (from CPU port)
Flammability	PRINTED CIRCUIT BOARD: 94 VO SILICONE OVERLAY: 94HB
Compatibility	USB: All Windows and Macintosh OS
Temperature Range	STORAGE: -40C to +90C (-40F to +194F) OPERATING: -40C to +70C (-40F to +158F)
Weight	2 lbs +/- 0.10 lbs (0.91 kg +/- 0.05 kg)
Warranty	1 year limited warranty
Humidity	100%
Dimensions	14.74" x 5.69" x 1.61" (w-h-d) 374.4mm x 144.5mm x 40.9mm

#### Model Numbers

### Features and Benefits

- 10-Key Numeric Pad
- Built-In Mounting Holes
- MS Windows Function Keys
- Silicone Rubber
- Green LED
- Government
- Mounting Holes
- 12 Function Keys
- Green Backlit Keys
- USB configurations available
- USB
- Desktop
- Polycarbonate
- QuickLock™

DATE	CHANGES	INTL	REV
09.08.11	Original	TH	1.0
11.8.11	Updated dimensions	TH	1.1



**KEY SWITCH**

MATERIAL: Industrial Silicone Rubber  
 LIFE: Greater Than 10 Million Cycles  
 TRAVEL: 0.055 in.  
 ACTUATION FORCE: 7.05 oz. +/- 1.06oz (200g +/- 30g)  
 FEEDBACK: Tactile with Mechanical Snap

**POWER**

USB: 210mA@5V (from CPU port)

**HUMIDITY**

100% Humidity Resistant

**TEMPERATURE RANGE**

STORAGE: -40°F to +194°F (-40°C to +90°C)  
 OPERATING: -40°F to +158°F (-40°C to +70°C)

**VIBRATION**

POWER SPECTRAL DENSITY: .04g/HZ  
 FREQUENCY RANGE: 20HZ-2Khz  
 DURATION OF TEST PER AXIS: 3 hours

**SHOCK**

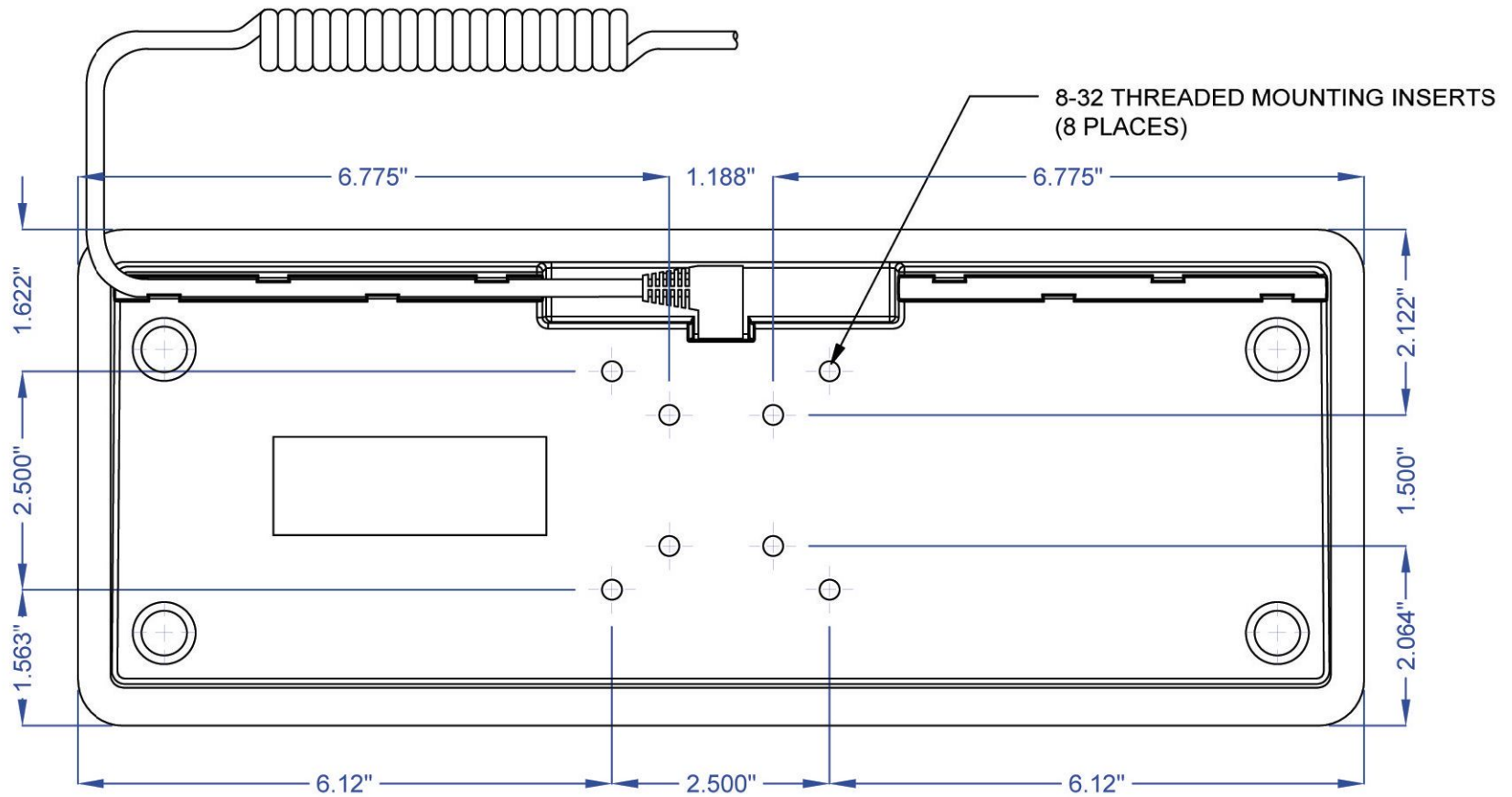
3 X 11 ms pulses of 50g on each of 3 axis

**WEIGHT**

2.00 lbs +/- 0.10 lbs (0.91 kg +/- 0.05 kg)

Part Number: SLK-101C-M	Drawing Number: MKT0275	Sheet: 1 OF 2
Drawing Title: SLK-101C-M-MKT	Revision: 1.1	Date: 11.8.11
		TWH

# SLK-101C-M BACK/MOUNTING



ENCLOSURE CASE: ABS/Polycarbonate

PROPRIETARY AND CONFIDENTIAL

SCALE: 1:2

Part Number: SLK-101C-M

Drawing Number: MKT0275

Sheet: 2 OF 2

Drawing Title: SLK-101C-M-MKT

Revision: 1.1

Date: 11.8.11

TWH



Distributed by:

i-Tech Company LLC

TOLL FREE: (888) 483-2418 • EMAIL: [info@iTechLCD.com](mailto:info@iTechLCD.com) • WEB: [www.iTechLCD.com](http://www.iTechLCD.com)