

SLK-80

Compact Backlit Keyboard

Built for use in desktop or mobile applications, the SLK-80 features a conductive plastic case, adjustable green backlighting that is also available in a night vision (NVIS) compatible configuration, and is sealed to IP68 specifications. The conductive plastic case for the SLK-80 was designed for additional electro magnetic interference (EMI) performance. It has multiple ground access points internal to the PCB electronics, and is designed and intended for use in very harsh EMI environments requiring 461 standards.



Technical Specifications

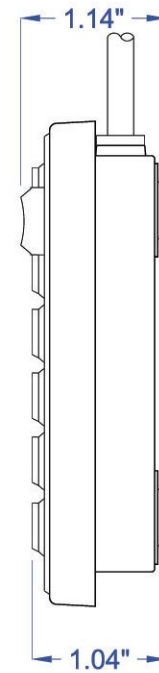
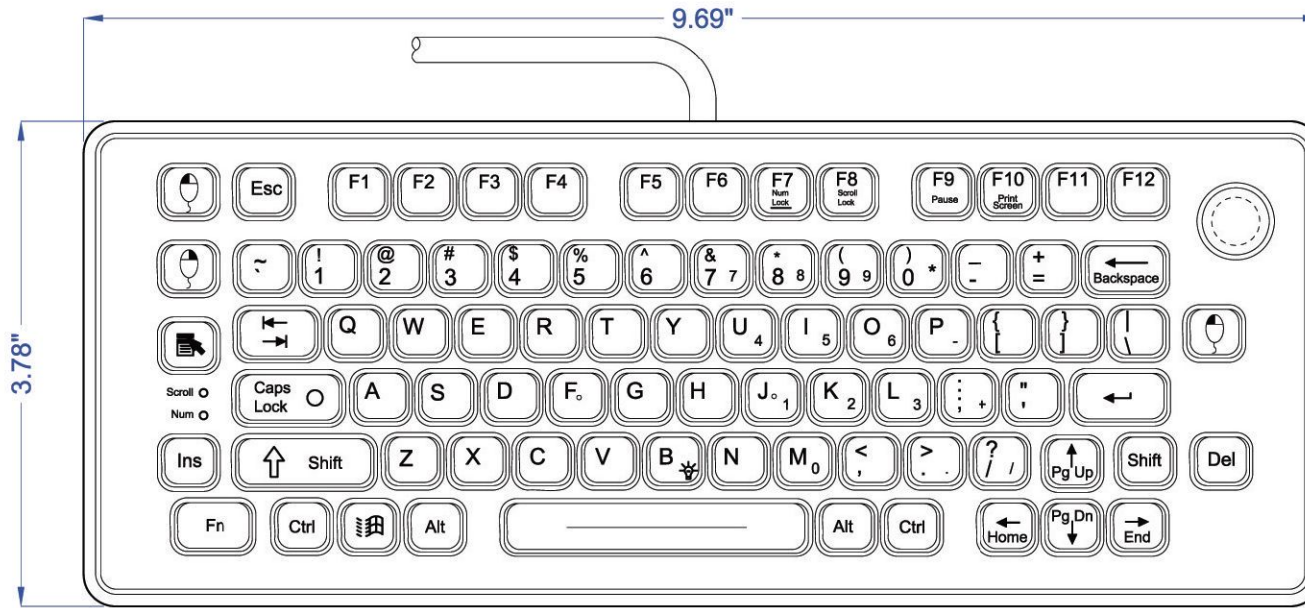
Certifications	NEMA 4X UL60950
Shock	3x11 ms pulses of 50g on each of 3 axes
Cable	LENGTH: 6' straight (1.8 m)
Key Switch	MATERIAL: Industrial silicone rubber LIFE: Greater than 10 million cycles TRAVEL: 0.055 in. (1.4mm) ACTUATION FORCE: 8.11 oz. +/- 1.06 oz. (230g +/- 30g) FEEDBACK: Tactile with mechanical snap
Vibration	POWER SPECTRAL DENSITY: .04g/Hz FREQUENCY RANGE: 20Hz - 2kHz DURATION OF TEST PER AXIS: 3 hours
Power	USB: 200mA@5V (from CPU port)
Compatibility	USB KEYBOARDS: All Windows and Macintosh OS
Temperature Range	STORAGE: -40C to +70C (-40F to +158F) OPERATING: -20C to +60C (-4F to +140F)
Weight	1.00 lbs +/- 0.10 lbs (0.45 kg +/- 0.05 kg)
Warranty	1 year limited warranty
Humidity	100% Humidity Resistant
Dimensions	9.69" x 3.78" x 1.14" (w-h-d) 246.1mm x 96mm x 29mm

Features and Benefits

- Adjustable backlighting
- Mobile Mounting Holes
- Small Footprint Design
- Integrated FSR pointing device
- Optional NVIS Compliant - Green B backlighting
- Designed to meet MIL-STD-461E Specifications

SLK-80

DATE	CHANGES	INTL	REV
01.28.09	Original	JB	1.00



KEY SWITCH

MATERIAL: Industrial Silicone Rubber
LIFE: Greater Than 10 Million Cycles
TRAVEL: 0.055 in.
ACTUATION FORCE: 8.11 oz. +/- 1.06oz (230g +/- 30g)
FEEDBACK: Tactile with Mechanical Snap

POWER

USB: 200mA@5V (from CPU port)

TEMPERATURE RANGE

STORAGE: -40°F to +158°F (-40°C to +70°C)
OPERATING: -4°F to +140°F (-20°C to +60°C)

HUMIDITY

100% Humidity Resistant

VIBRATION

POWER SPECTRAL DENSITY: .04g/HZ
FREQUENCY RANGE: 20Hz-2Khz
DURATION OF TEST PER AXIS: 3 hours

SHOCK

3 X 11 ms pulses of 50g on each of 3 axis

WEIGHT

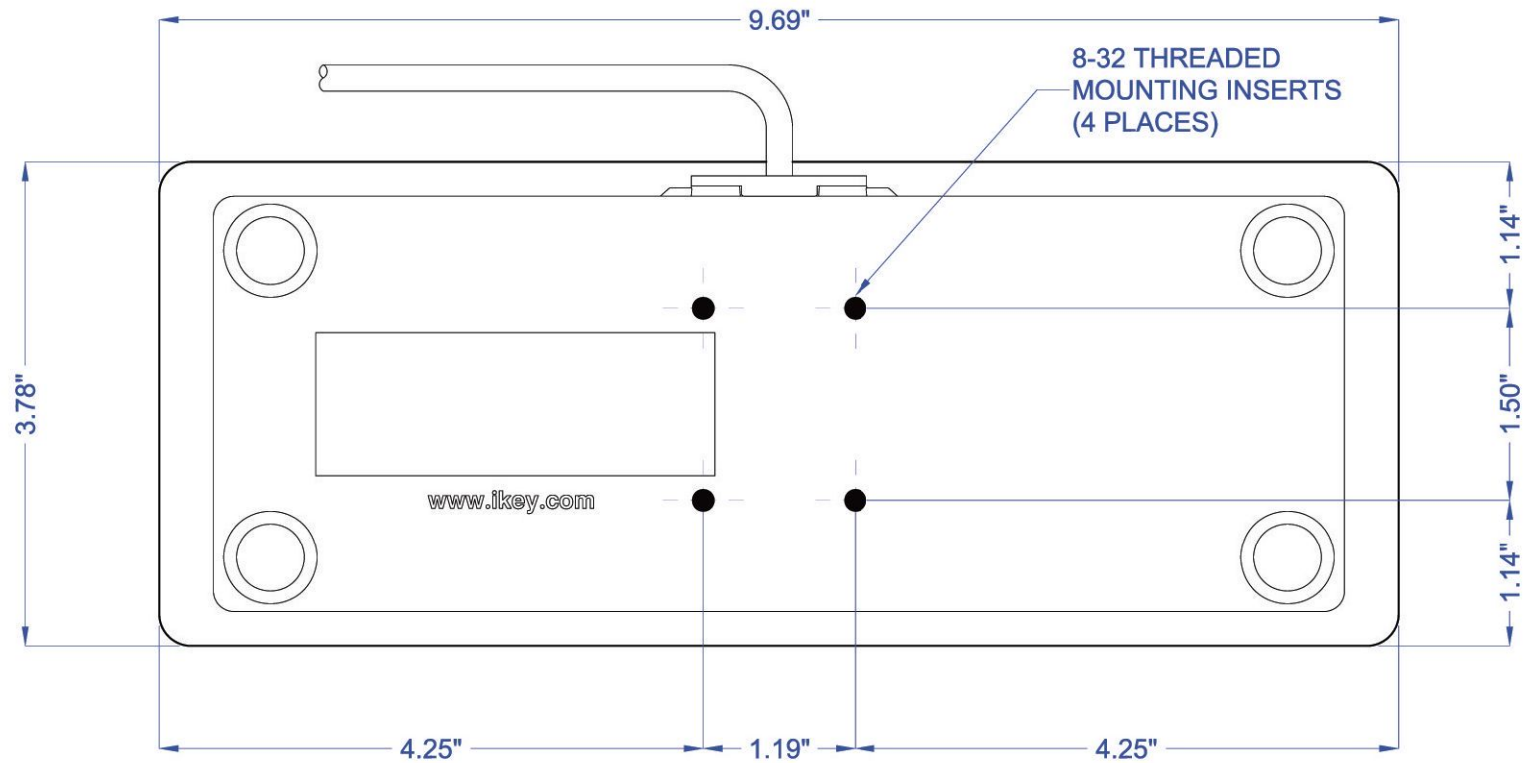
1.00 lbs +/- 0.10 lbs (0.45 kg +/- 0.05 kg)

PROPRIETARY AND CONFIDENTIAL

SCALE: 1:1.5

Part Number: SLK-80	Drawing Number: MKT0174	Sheet: 1 OF 2
Drawing Title: SLK-80-MKT	Revision: 1.00	Date: 01.28.09
		JWB

SLK-80 BACK / MOUNTING



ENCLOSURE CASE: ABS/Polycarbonate

PROPRIETARY AND CONFIDENTIAL

SCALE: 1:1.5

	Part Number: SLK-80	Drawing Number: MKT0174	Sheet: 2 OF 2	
	Drawing Title: SLK-80-MKT	Revision: 1.00	Date: 01.28.09	JWB



Distributed by:
 i-Tech Company LLC
 TOLL FREE: (888) 483-2418 • EMAIL: info@iTechLCD.com • WEB: www.iTechLCD.com