



## Rugged Completely Sealed IP66/NEMA4X Stainless Steel Chassis/Surface Mount Panel PC

# SPM1700HB-PC

**1000 nits**

17" Panel PC LCD monitor, 1280 x 1024, 1000 nits LED backlight, AR Glass + Auto light Sensor, with FAN bar and heat-sink, Atom D2550 Dual core 1.86GHz CPU, WiFi module + antenna. I/O port (IP67 connector & cables): RS232 x 1, USB x 2, LAN x 2, Win 7 pro 32bit, 2G memory, 128G SSD (0~70C). Auto Dimming control Integrated DC 9-36V Input (Built-in)

### FEATURES

- 17" Bright Active Matrix TFT Display, 1000 Nits (cd/m<sup>2</sup>)
- 1280 x 1024 High Resolution
- Built-in Intel Atom D2550 Dual Core 1.86Ghz CPU, Fanless Design, 32GB Wide temp SSD and 4GB Memory (DVI x 1 + RS232 x 1 + USB x 2 + POWER x 1 + LAN x 1)
- NEMA 4X (IP66) 304 Stainless Steel Gasket Sealed Enclosure
- DVI-D only for external video input
- Included all water proof connectors and 6ft long water proof cables.
- LED backlight Energy Efficient, Low Power Consumption
- High Environmental Performance and Reliability
- Anti-Reflective Protective Glass
- Wide Operational Temperature Range, 0°C to +50°C (32°F to +122°F)
- RoHS Compliant
- VESA mount compliant.



NEMA 4X



VESA Mount



High Contrast



Low Power



Wide Viewing Angle

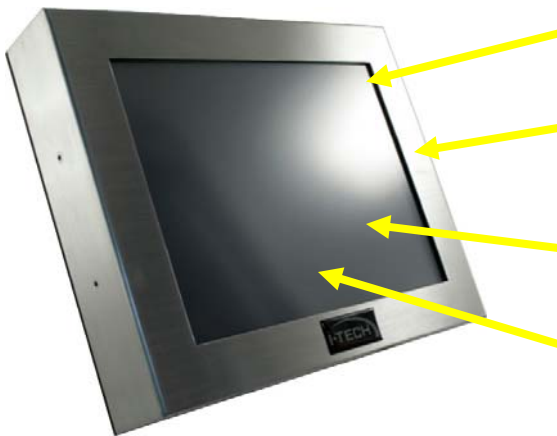


Built-in PC

### OPTIONS

- Optional Custom fitting for purging the monitor's enclosure
- Optional for 9-36V DC input
- Optional 5 Wired Resistive touch/ IR/ PCap Touch Screen (USB Default/ RS232 per request controller)
- Optional High Brightness 1000nits For Semi outdoor application
- Optional for Auto Dimming Sensor
- Optional for IR Remote Control with Front Sensor.
- Optional Heater for lower temperatures -30C (-22F)
- Optional Integrated VGA/ DVI Extender
- Transmission length up to 1,000ft over CAT5e cable for VGA input
- Transmission length up to 300ft over CAT5e cable for DVI input

### Rugged Completely Sealed IP66/NEMA4X Stainless Steel Chassis/Surface Mount LCD Monitor



Water Proof Solution,  
Full IP NEMA4 Rating  
front and back

Stainless and  
Aluminum Housing  
Chassis Design

AR Glass  
Protective Glass at  
front

Optional High  
Brightness and  
Touch screen

\* IP65 Water and Dust proof  
connection for a higher protection

\* All Connectors are facing backward



i-Tech Company LLC  
TOLL FREE: (888) 483-2418  
• EMAIL: [info@itechlcd.com](mailto:info@itechlcd.com)  
• WEB: [www.iTechLCD.com](http://www.iTechLCD.com)



USA Based Company. Most of our Industrial LCD Monitor are assembled, tested, shipped from our CA headquarter, giving us the ability to provide best service to your needs.

## SPECIFICATION

LCD Display	
Size / Panel Type	17" SXGA Color TFT LCD Panel
Resolution	1280 x 1024
Brightness (cd/m <sup>2</sup> )	1000cd/m <sup>2</sup>
Contrast Ratio	1000 : 1
Response Time	5 ms
Backlight	LED Backlight Unit
Colors	16.2M colors
Viewing Angles	140° / 130°
Surface Hardness	7~8H, AR Glass
Touch Screen (Optional)	
Touch Screen Type	Resistive Touch / PCT Touch (Optional)
Surface Hardness	3H / 7H
Environment	
Operating Temperature	0°C~+70°C
Storage Temperature	-20°C~+60°C
Humidity	5%~95% RH(Non-Condensing)
Water-Proof Rating	IP66/NEMA4, 6 Side Water-Proof

System	
CPU / Memory	Intel Atom D2550 Dual Core 1.86Ghz / 4GB DDR3
OSD	Menu, Auto, On/Off, Up, Down
I/O Interface	DVI x 1 + RS232 x 1 + USB x 2 + POWER x 1 + LAN x 2
Power Input	12 VDC ( Optional : 9~36VDC)
Power Consumption	33W
Certification	FCC/CE/RoHS Compliance
Mounting	VESA 75 x 75mm;100 x 100mm
Dimension/Weight	429mm (W) x 361.5mm (H) x 50mm (D) / 10.5kgs

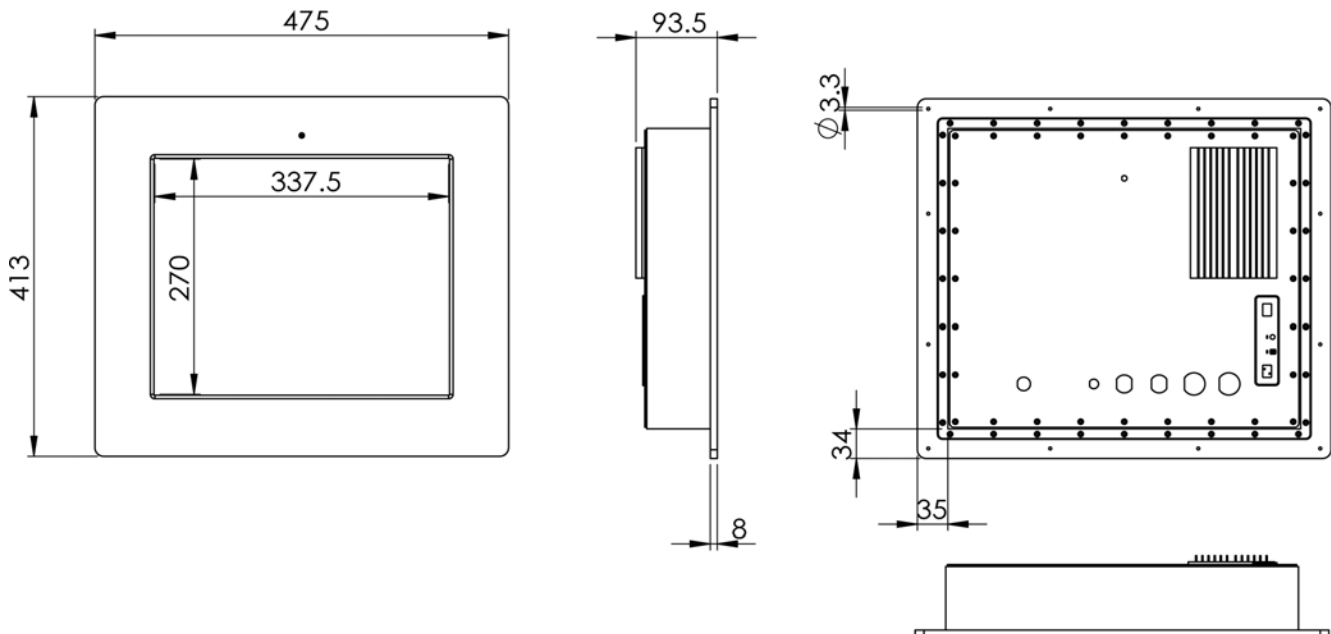
## ACCESSORIES

Water proof DVI cable 6ft long x 1
Water proof LAN cable 6ft long x 1
Water proof Power cable 6ft long x 1
RS232 Connector 6ft long x 1
USB Connector 6ft long x 2

## PHOTO GALLERY



## MECHANICAL DRAWINGS



i-Tech Company LLC  
TOLL FREE: (888) 483-2418  
• EMAIL: [info@itechlcd.com](mailto:info@itechlcd.com)  
• WEB: [www.iTechLCD.com](http://www.iTechLCD.com)



USA Based Company. Most of our Industrial LCD Monitor are assembled, tested, shipped from our CA headquarter, giving us the ability to provide best service to your needs.