

SNK Series

Model: SNK220CCE32

2U Sun Compatible Keyboard CAT5 KVM
 Extender Rackmount Monitor 20" LCD Drawer
 with 32-ports w/USB/PS2 KVM



SUNVIEW
 RACKMOUNT CONSOLES

LCD Drawer & KVM Benefits:

- High density Cat5 KVM with either 16 or 32 ports in 2U
- Cost efficient DB-15KVM integration
- Single or "One Man" installation slide for easy, quick installation
- 104 key notepad keyboard with full numerical pad and AUN function
- Mix USB & SUN with Multi-Platform switch capability
- Secure remote user access across the world wide web

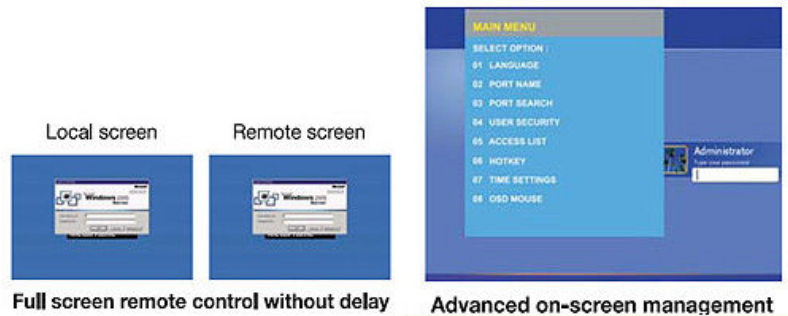
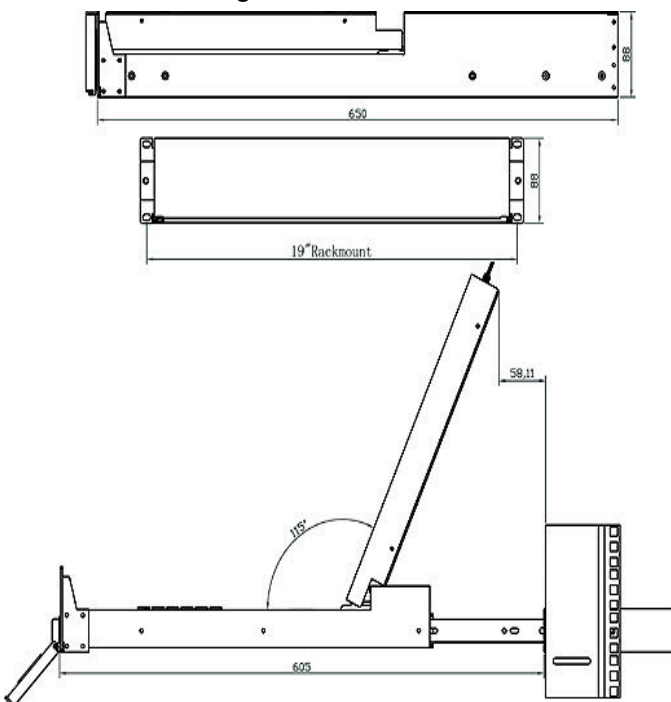
LCD Features:

- 2U rackmount drawer with 20" SAMSUNG LCD
- Either PS/2 or USB input to the LCD Drawer by cable selection
- Multiple keyboard language selections with either touchpad or trackball
- slide rails with fixed positions to prevent drawer movement when typing
- Multi lingual on screen display menu
- 12, 24 and 48 volt DC power options

KVM Features and Benefits:

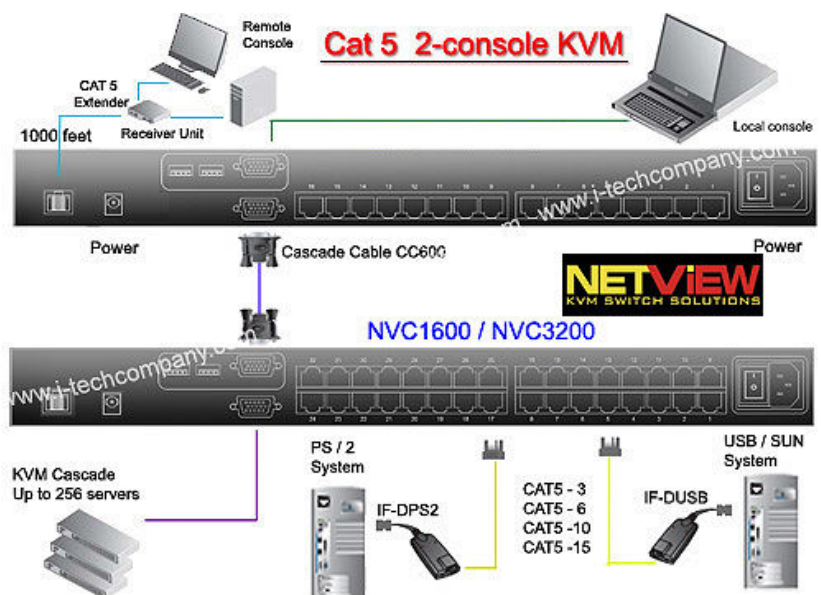
- Use of the RJ45 Cat5 interface allows for a higher number of ports in smaller density
- Greater distances between your switch and servers allow enhanced data centre rack layouts
- Traditional Cat5 cords, when compared to coaxial cables, provide simple cable management
- Mix legacy PS/2 servers with newer USB and SUN solutions
- Multi lingual on screen display menu
- Advanced user profiles and configurable OSD hot key combinations
- 12, 24 and 48 volt DC power options

Mechanical Drawing:



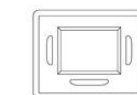
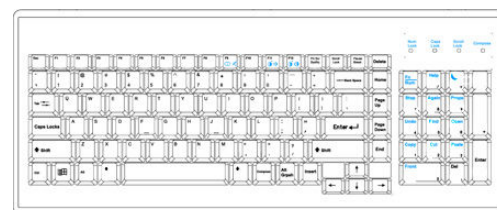
Full screen remote control without delay

Advanced on-screen management

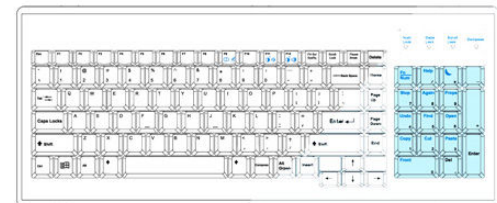


Specifications:

| | | |
|--|--|------------------------|
| LCD | | |
| Panel | Samsung Grade A LCD Panel | |
| Display Size | 20" inch diagonal | |
| Display Area | 304.1 (H) x 228.1 (V) mm | |
| Resolution | 1,600 x 1,200 with 60 Hz | |
| Display color | 16.7 M | |
| Brightness | 300 nits | |
| Contrast Ratio | 800:1 | |
| Response Time | TR=1/ Tf=4 ms | |
| Pixel Pitch | 0.255 (H) x 0.255 (V) mm | |
| Viewing Angle | 160/ 160 (H/ V) | |
| OSD Control | Brightness, Contrast, Phase & Clock, Color, H & V Position, Auto-tune, Recall & Language | |
| Signal Input | VGA, Analog RGB | |
| Option Video Input | S-video & Composite | |
| LCD MTBF | 50,000 hrs | |
| Touch Screen Option | | |
| Type | 5-Wire Resistive | Surface Accoustic Wave |
| Thickness | 2.2mm | 3mm |
| Light transmission | 87% | 90% |
| Controller | Serial / USB | Serial / USB |
| Durability | 35 million | 50 million |
| OS Support | Windows XP, 2000, NT, 98, DOS and Linux | |
| Power | | |
| 110 or 220 VAC at 50 or 60 Hz via AC adapter (12V, 6A) | | |
| Option DC power with 12V, 24V or 48V DC input | | |
| Environmental | | |
| Temperature | 0 to 50 Degree Celsius (Operation) -25 to 60 Degree Celsius (Storage) | |
| Relative Humidity | 90%, non condensing | |
| Shock | 50G peak acceleration (11ms, half sine wave) | |
| Vibration | 58~500Hz/ 0.98G (11min/ cycle) | |



(e) SUN Keyboard



(b) SUN Keyboard

KVM Technical Specifications:

| | |
|----------------------------|--|
| KVM Port | |
| Number of ports : | 16or32 |
| Connector: | RJ-45 |
| Connectivity: | USB type or PS/2 type dongle, up to 40 meter (130 feet) |
| Local Console | |
| Graphic connector: | HDDB15-pin HDDB15-pin, VGA |
| Resolution: | Up to 1600x1200 |
| Input device: | 2 x USB type A for keyboard & mouse |
| Remote Console | |
| Connector: | HDDB15-pin, VGA |
| Resolution: | Up to 1600 x 1200 (500feet), Up to 1024 x768 (1000feet) |
| Input device: | 2 x USB type Afor Keyboard &mouse |
| Remote I/O: | RJ45 via Cat5/ Cat5e/cat6/ cable up to 1000feet |
| Compensation | Auto adjust for cable length |
| Expansion : | |
| | Up to 256 servers by 8-level cascade |
| Compatibility | |
| Multi-platform | Mix PCs, SUNs, IBMs, HPs, DELLs Server |
| :Support: | Windows Vista, 2003 / XP / 2000, Linux, Netware, Unix |
| Power | |
| Input: | 100-240VAC, 50 or 60Hz, IEC type cord |
| Option DC : | 12V/24V/48V DC input |
| Consumption : | Max. 25 Watt |
| Regulatory Approval | |
| | FCC,CE |
| Environmental | |
| Operating : | 0 to 50°C |
| Storage: | -10 to 60-C |
| Relative humidity: | 90%, non-condensing |
| Shock: | 50G peak acceleration (11 ms, half-sine wave) |
| Vibration : | 58~100Hz / 0.98G (11 min / cycle) |

