

SNK Series

Model: SNK220CIP16

2U Sun Compatible Keyboard Rackmount Monitor 20" LCD Drawer w 16-ports CAT5 KVM Over IP Switches (Local + Remote IP KVM) USB KVM



SUNVIEW
RACKMOUNT CONSOLES

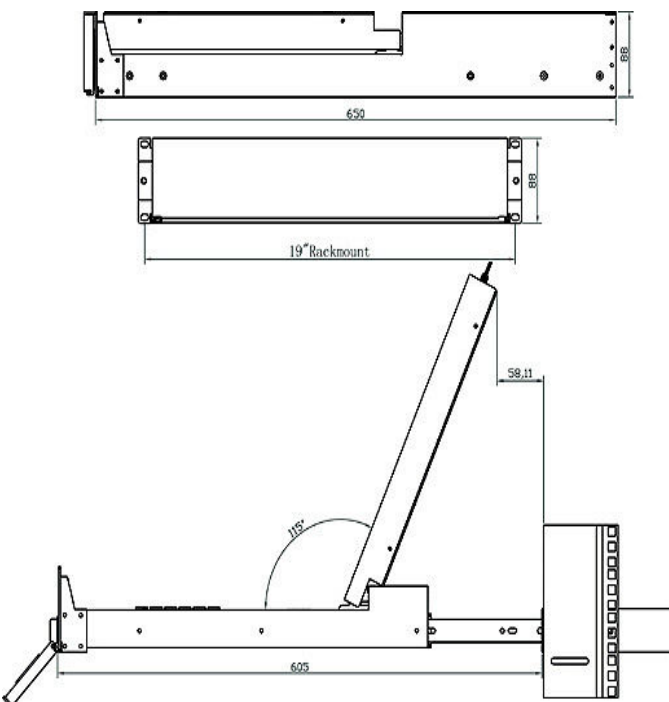
LCD Drawer & KVM Benefits:

- High density Cat5 KVM with either 16 or 32 ports in 2U
- Cost efficient DB-15KVM integration
- Single or "One Man" installation slide for easy, quick installation
- 104 key notepad keyboard with full numerical pad
- Mix PS/2, USB & SUN Multi-Platform switch capability
- Secure remote User access across the world wide web

LCD Features:

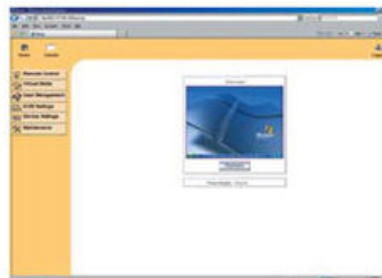
- 2U rackmount drawer with 20" SAMSUNG LCD
- Either PS/2 or USB input to the LCD Drawer by cable selection
- Multiple keyboard language selections with either touchpad or trackball
- slide rails with fixed positions to prevent drawer movement when typing
- Multi lingual on screen display menu
- 12, 24 and 48 volt DC power options

Mechanical Drawing:

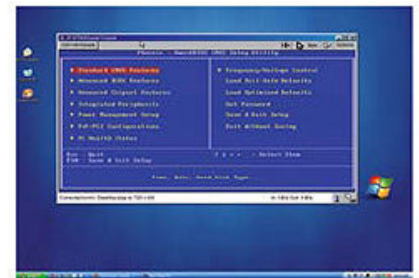


KVM Features and Benefits:

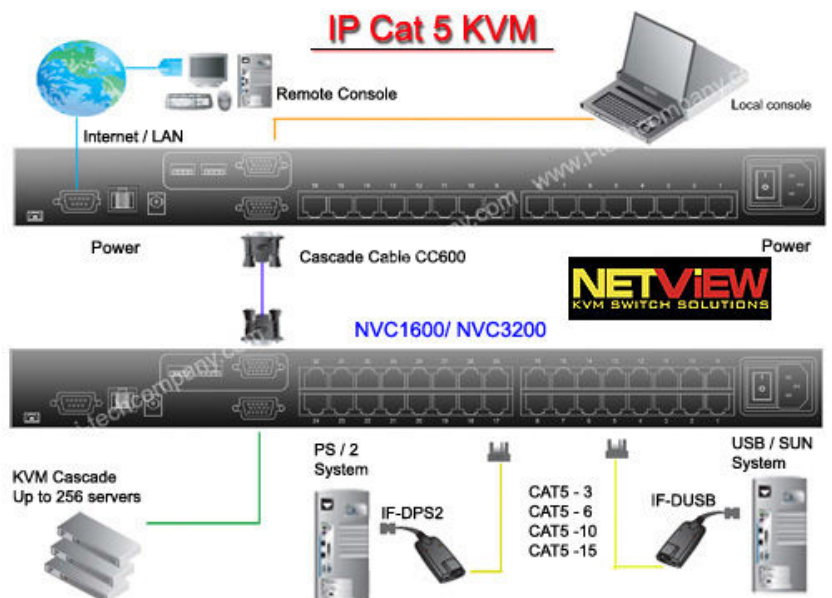
- Use of the RJ45 Cat5 interface allows for a higher number of ports in smaller density
- Greater distances between your switch and servers allow enhanced data centre rack layouts
- Traditional Cat5 cords, when compared to coaxial cables, provide simple cable management
- Mix legacy PS/2 servers with newer USB and SUN solutions
- 128 bit secure browser based user access from anywhere in the world over IP
- Multi lingual on screen display menu
- Advanced user profiles and configurable OSD hot key combinations



Remote Access Via Browser



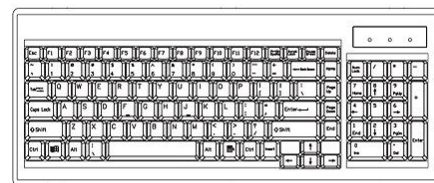
Access IP up to BIOS Level



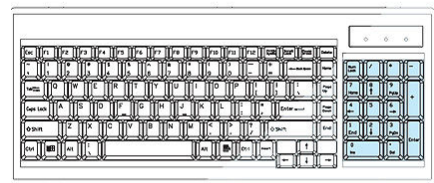
Specifications:

LCD		
Panel	Samsung Grade A LCD Panel	
Display Size	20" inch diagonal	
Display Area	304.1 (H) x 228.1 (V) mm	
Resolution	1,600 x 1,200 with 60 Hz	
Display color	16.7 M	
Brightness	300 nits	
Contrast Ratio	800:1	
Response Time	TR=1/ Tf=4 ms	
Pixel Pitch	0.255 (H) x 0.255 (V) mm	
Viewing Angle	160/ 160 (H/ V)	
OSD Control	Brightness, Contrast, Phase & Clock, Color, H & V Position, Auto-tune, Recall & Language	
Signal Input	VGA, Analog RGB	
Option Video Input	S-video & Composite	
LCD MTBF	50,000 hrs	
Touch Screen Option		
Type	5-Wire Resistive	Surface Accoustic Wave
Thickness	2.2mm	3mm
Light transmission	87%	90%
Controller	Serial / USB	Serial / USB
Durability	35 million	50 million
OS Support	Windows XP, 2000, NT, 98, DOS and Linux	
Power		
110 or 220 VAC at 50 or 60 Hz via AC adapter (12V, 6A)		
Option DC power with 12V, 24V or 48V DC input		
Environmental		
Temperature	0 to 50 Degree Celsius (Operation) -25 to 60 Degree Celsius (Storage)	
Relative Humidity	90%, non condensing	
Shock	50G peak acceleration (11ms, half sine wave)	
Vibration	58~500Hz/ 0.98G (11min/ cycle)	

e keyboard integrated with touchpad



b keyboard integrated with trackball



KVM Technical Specifications:

KVM Port	
Number of ports :	16or32
Connector:	RJ-45
Connectivity:	USB type or PS/2 type dongle, up to 40 meter (130 feet)
Local Console	
Graphic connector:	HDDB15-pin
Resolution:	Up to 1600x1200
Input device:	2 x USB type A for keyboard & mouse
IP Remote Console	
Connector:	RJ45 ethernet
User management:	15-user login, 1 x active user
Network protocol:	DHCP / BOOTP / DNS
Security:	SSL v3, RSA, AES, HTTP / HTTPS, CSR
Resolution:	1600x1200
Browser:	IE, Firefox, Safari, Netscape
Others:	Serial port, virtual media via USB
Expansion :	
	Up to 256 servers by 8-level cascade
Compatibility	
Multi-platform	Mix PCs, SUNs, IBMs, HPs, DELLs Server
:Support:	Windows Vista, 2003 / XP / 2000, Linux, Netware, Unix
Power	
Input:	100-240VAC, 50 or 60Hz, IEC type cord
Option DC :	12V/24V/48V DC input
Consumption :	Max. 25 Watt
Regulatory Approval	FCC,CE
Environmental	
Operating :	0 to 50°C
Storage:	-10 to 60-C
Relative humidity:	90%, non-condensing
Shock:	50G peak acceleration (11 ms, half-sine wave)
Vibration :	58~100Hz / 0.98G (11 min / cycle)

