

# SNK Series

## Model: SNK117-16

1U Sun Compatible Keyboard  
Rackmount Monitor 17" LCD Drawer w/  
16-ports USB KVM



**SUNVIEW**  
RACKMOUNT CONSOLES

### Features and Benefits:

- Only 1U (1.75" high) of vertical 19" rack-mount space
- SUN Keys: STOP, HELP, AGAIN, PROPS, UNDO, FIND, OPEN, COPY, CUT, PASTE and FRONT
- The screen will sync with most SUN Resolution, including 1152 x 900 @ 66 or 76 Hz
- 1280 x 1024 native graphic resolution
- Compatible with SUN, Apple, IBM, DELL, HP and USB Server
- Laptop-style tilting display provides for short pull-out and minimal intrusion into the aisle space in front of the rack.
- High-brightness 300-nit,TFT LCD Panel and high contrast-ration active TFT LCD flat panel integrated folding display.
- 17" display supporting 1280 x 768 resolution.
- Full 104-keys SUN-compatible keyboard w/ 3-button trackball
- Industrial-grade heavy-duty steel construction
- Smooth-operating sliding rails that self-lock when pulled all the way out.
- Built-in thumb screws for securing the unit when folded and pushed all the way in.



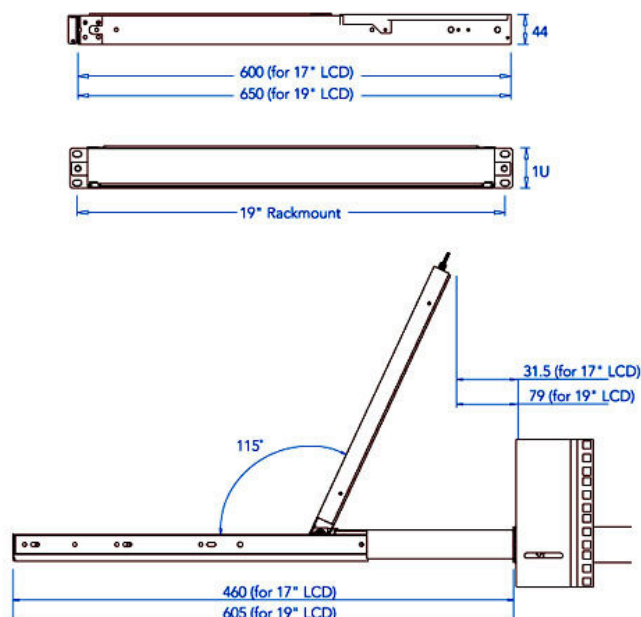
Designed for



### KVM Features and Benefits:

- Multi-platform-mix PCs, SUNs, IBMs, HPs, Compaq & DELL
- Support 8 characters password protection & search PC server name
- Cascades for use with up to 128 servers
- New keep alive feature safeguards server for power loss to the switch
- Built-in microprocessor emulation for each port boots up process
- Auto scan-mode for monitoring your servers at intervals 5 to 99s
- Hot-pluggable when adding or removing PC w/o powering down the switch
- Name you server up to 16 characters long
- No software needed & all mounting hardware included

### Mechanical Drawing:



Unit : mm



i-Tech Company LLC  
TOLL FREE: (888) 483-2418 • EMAIL: [info@i-techcompany.com](mailto:info@i-techcompany.com) • WEB: [www.iTechLCD.com](http://www.iTechLCD.com)

## Specifications:

LCD	
Panel	TFT 17" LCD Panel
Screen Type	TFT
Frequency	60Hz
Contrast Ratio	500 : 1
Viewing Angle	150° (H) x 135° (V)
Resolution	1280 x 1024 (Sync with most SUN Resolution, including 1152 x 900 @ 66 or 76 Hz)
Pixel pitch	<b>0.264(H) x 0.264(W) mm</b>
Response Time	Tr=3ms, Tf=10ms (Typ.)
Brightness	300 cd/m2
Panel Color	16.2M
Storage Temp.	-25 - 60°C
Operating Temp.	0 - 50°C
Backlight MTBF	20,000 hours under 20 - 30°C
KVM (SNK117-8/117-16 only)	
Computer Connectors	8/16
Connector	15-pin HDB type, Keyboard,mouse, all-in-1
Cascade Level	8 Levels
Max. Access PCs	128
Input VGA Resolution	1920 x 1440
Power Supply	
Remote Adapter	110V - 220V AC Input 12V 5A Output
Adapter Size	4.3"(L) x 2.4" (W) x 1.2"(H)
Cable Legnght	6 ft (182cm)
Safety Approval	FCC, CE

## USB Single Console KVM Switch

	8-Port	16-port
PC port	8	16
PC Port interface	HDDB 15 pin	N/A
PC Computer Interface	USB port: Type A Female VGA : HDDB 15pin Female	USB port: Type A Female VGA : HDDB 15pin Female
KVM Cable Connection	2-in-one HDDB 15-pin KVM Cable (CB-6/ 10/ 15)	2-in-one HDDB 15-pin KVM Cable (CB-6/ 10/ 15)
PC Selection	On screen display menu, Hot key, Push button	
LED	1 Bank LED 8 Online LED (Green) 8 Selected LED (Green)	1 Bank LED 16 Online LED (Green) 16 Selected LED (Green)
On screen display control	Yes	
Scan intervals	5-99 seconds	
Keyboard and mouse emulation	USB	
VGA resolution (Max.)	1920 x 1440	1920 x 1440
CAT.5 cable length (Max.)	N/A	N/A
Bandwidth	200MHz	200MHz
Cascade Level (Max.)	8 Levels	
Housing	Metal	
Power Adapter	DC 12V 1A	DC 12V 1A
Operation Temperature	0~40 °C	
Humidity	0~80%, Non-Conde	