

SNK Series

Model: SNK119-8

Rackmount SUN Keyboard/1U Sun Solaris
Compatible Rackmount 19" LCD
Keyboard Drawer with 8-port USB KVM



SUNVIEW
RACKMOUNT CONSOLES

Features and Benefits:

- Only 1U (1.75" high) of vertical 19" rack-mount space
- SUN Keys: STOP, HELP, AGAIN, PROPS, UNDO, FIND, OPEN, COPY, CUT, PASTE and FRONT
- The screen will sync with most SUN Resolution, including 1152 x 900 @ 66 or 76 Hz
- 1280 x 1024 native graphic resolution
- Compatible with SUN, Apple, IBM, DELL, HP and USB Server
- Laptop-style tilting display provides for short pull-out and minimal intrusion into the aisle space in front of the rack.
- High-brightness 300-nit,TFT LCD Panel and high contrast-ration active TFT LCD flat panel integrated folding display.
- 19" display supporting 1280 x 1024 resolution.
- Full 104-keys SUN-compatible keyboard w/ 3-button trackball
- Industrial-grade heavy-duty steel construction
- Smooth-operating sliding rails that self-lock when pulled all the way out.
- Built-in thumb screws for securing the unit when folded and pushed all the way in.



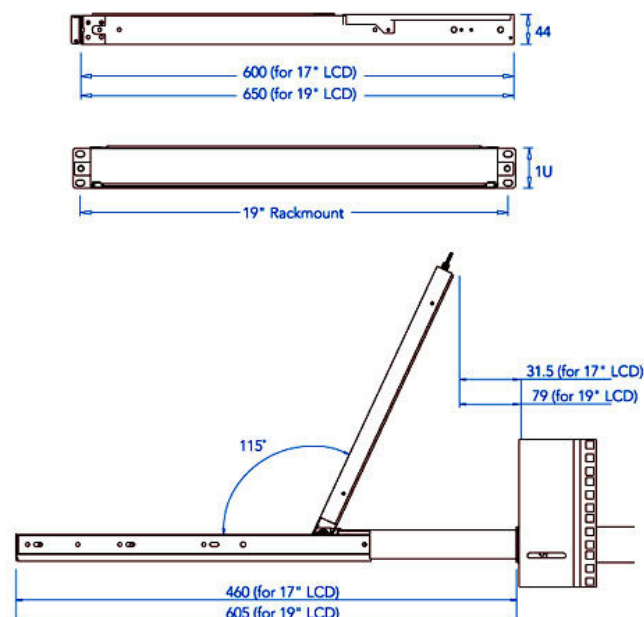
Designed for



KVM Features and Benefits:

- Multi-platform-mix PCs, SUNs, IBMs, HPs, Compaq & DELL
- Support 8 characters password protection & search PC server name
- Cascades for use with up to 128 servers
- New keep alive feature safeguards server for power loss to the switch
- Built-in microprocessor emulation for each port boots up process
- Auto scan-mode for monitoring your servers at intervals 5 to 99s
- Hot-pluggable when adding or removing PC w/o powering down the switch
- Name you server up to 16 characters long
- No software needed & all mounting hardware included

Mechanical Drawing:



Unit : mm



i-Tech Company LLC
TOLL FREE: (888) 483-2418 • EMAIL: info@i-techcompany.com • WEB: www.iTechLCD.com

Specifications:

| | |
|----------------------------|---------------------------------------------------------------------------------|
| LCD | |
| Panel | TFT 17" LCD Panel |
| Screen Type | TFT |
| Frequency | 60Hz |
| Contrast Ratio | 700 : 1 |
| Viewing Angle | 150° (H) x 135° (V) |
| Resolution | 1280 x 1024 (Sync with most SUN Resolution, including 1152 x 900 @ 66 or 76 Hz) |
| Pixel pitch | 0.294(H) x 0.294(W) mm |
| Response Time | Tr=1.7ms, Tf=6.3ms (Typ.) |
| Brightness | 300 cd/m2 |
| Panel Color | 16.7M |
| Storage Temp. | -25 - 60°C |
| Operating Temp. | 0 - 50°C |
| Backlight MTBF | 20,000 hours under 20 - 30°C |
| KVM (SNK117-8/117-16 only) | |
| Computer Connectors | 8/16 |
| Connector | 15-pin HDB type, Keyboard,mouse, all-in-1 |
| Cascade Level | 8 Levels |
| Max. Access PCs | 128 |
| Input VGA Resolution | 1920 x 1440 |
| Power Supply | |
| Remote Adapter | 110V - 220V AC Input 12V 5A Output |
| Adapter Size | 4.3"(L) x 2.4" (W) x 1.2"(H) |
| Cable Legnht | 6 ft (182cm) |
| Safety Approval | FCC, CE |

USB Single Console KVM Switch

| | 8-Port | 16-port |
|------------------------------|--------------------------------------------------------------|----------------------------------------------------------------|
| PC port | 8 | 16 |
| PC Port interface | HDDB 15 pin | N/A |
| PC Computer Interface | USB port: Type A Female VGA : HDDB 15pin Female | USB port: Type A Female VGA : HDDB 15pin Female |
| KVM Cable Connection | 2-in-one HDDB 15-pin KVM Cable (CB-6/ 10/ 15) | 2-in-one HDDB 15-pin KVM Cable (CB-6/ 10/ 15) |
| PC Selection | On screen display menu, Hot key, Push button | |
| LED | 1 Bank LED 8 Online LED (Green) 8 Selected LED (Green) | 1 Bank LED 16 Online LED (Green) 16 Selected LED (Green) |
| On screen display control | Yes | |
| Scan intervals | 5-99 seconds | |
| Keyboard and mouse emulation | USB | |
| VGA resolution (Max.) | 1920 x 1440 | 1920 x 1440 |
| CAT.5 cable length (Max.) | N/A | N/A |
| Bandwidth | 200MHz | 200MHz |
| Cascade Level (Max.) | 8 Levels | |
| Housing | Metal | |
| Power Adapter | DC 12V 1A | DC 12V 1A |
| Operation Temperature | 0~40 °C | |
| Humidity | 0~80%, Non-Conde | |