

SNK Series

Model: SNK219

SUN Solaris Compatible Keyboard 2U Rackmount
19" LCD Keyboard Drawer



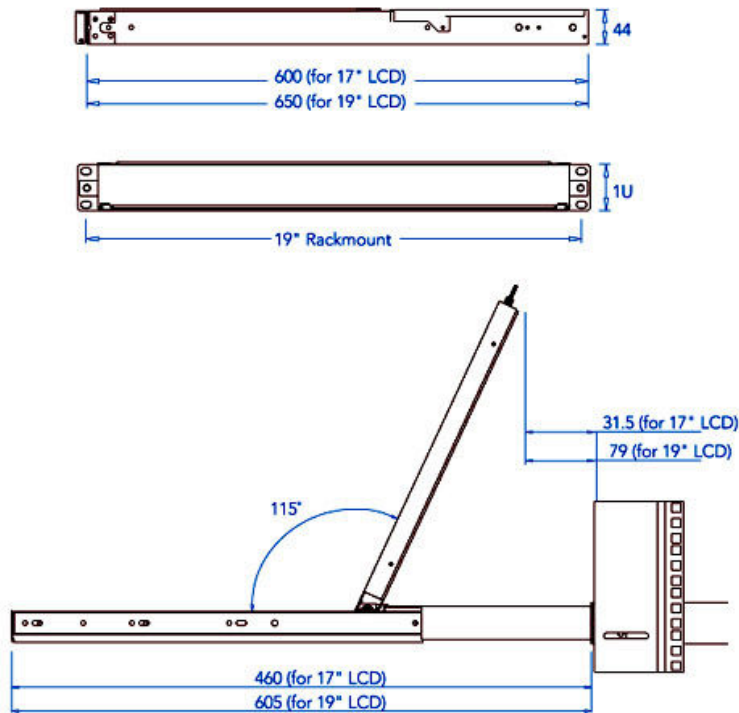
SUNVIEW
RACKMOUNT CONSOLES

Features and Benefits:

- 2U Dual Slides with front lock, allows you to monitor your systems through the closed cabinet glass door
- SUN Keys: STOP, HELP, AGAIN, PROPS, UNDO, FIND, OPEN, COPY, CUT, PASTE and FRONT
- The screen will sync with most SUN Resolution, including 1152 x 900 @ 66 or 76 Hz
- 19" display, 1280 x 1024 native graphic resolution
- Compatible with SUN, Apple, IBM, DELL, HP and USB Server
- Laptop-style tilting display provides for short pull-out and minimal intrusion into the aisle space in front of the rack.
- High-brightness 300-nit,TFT LCD Panel and high contrast-ration active TFT LCD flat panel integrated folding display.
- Full 104-keys SUN-compatible keyboard w/ 3-button trackball
- Industrial-grade heavy-duty steel construction
- Smooth-operating sliding rails that self-lock when pulled all the way out.
- Built-in thumb screws for securing the unit when folded and pushed all the way in.



Mechanical Drawing:



Unit : mm

Designed for



Specifications:

LCD	
Panel	TFT 19" LCD Panel
Screen Type	TFT
Frequency	60Hz
Contrast Ratio	700 : 1
Viewing Angle	150° (H) x 135° (V)
Resolution	1280 x 1024 (Sync with most SUN Resolution, including 1152 x 900 @ 66 or 76 Hz)
Pixel pitch	0.294(H) x 0.294(W) mm
Response Time	Tr=1.7ms, Tf=6.3ms (Typ.)
Brightness	300 cd/m2
Panel Color	16.7M
Storage Temp.	-25 - 60°C
Operating Temp.	0 - 50°C
Backlight MTBF	20,000 hours under 20 - 30°C
KVM (SNK117-8/117-16 only)	
Computer Connectors	8/16
Connector	15-pin HDB type, Keyboard,mouse, all-in-1
Cascade Level	8 Levels
Max. Access PCs	128
Input VGA Resolution	1920 x 1440
Power Supply	
Remote Adapter	110V - 220V AC Input 12V 5A Output
Adapter Size	4.3"(L) x 2.4" (W) x 1.2"(H)
Cable Legnght	6 ft (182cm)
Safety Approval	FCC, CE