

# SNK Series

## Model: SNK220-8

Rackmount SUN Keyboard/2U Sun Solaris  
Compatible Rackmount 20" LCD Keyboard  
with 8-port USB KVM



**SUNVIEW**  
RACKMOUNT CONSOLES

### Features and Benefits:

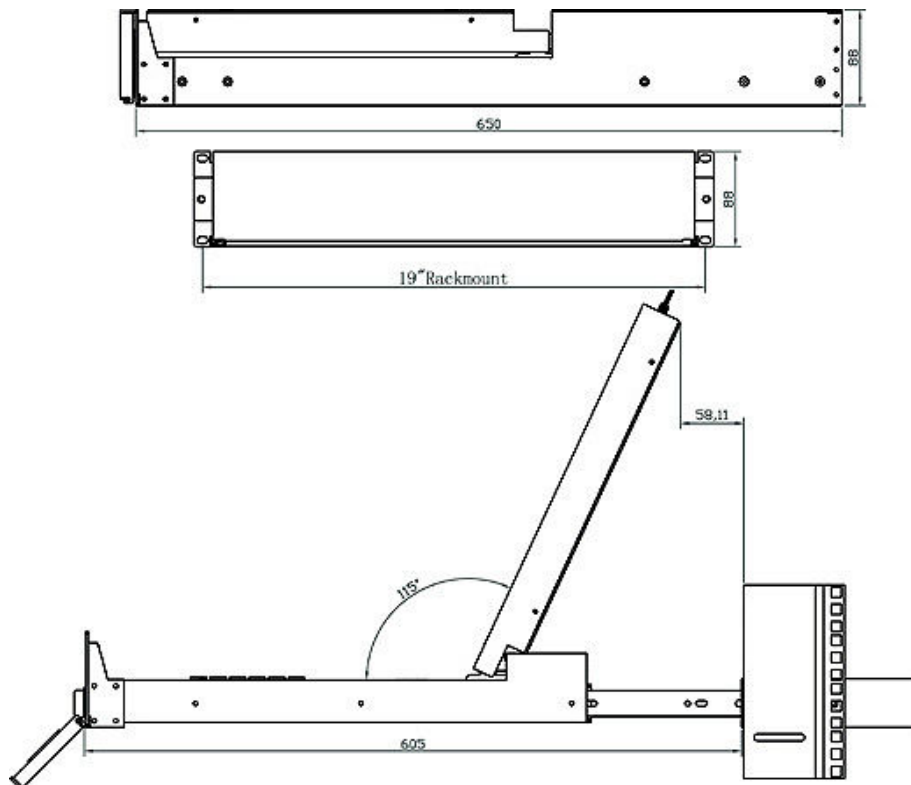
- Only 2U of vertical 19" rack-mount space
- SUN Keys: STOP, HELP, AGAIN, PROPS, UNDO, FIND, OPEN, COPY, CUT, PASTE and FRONT
- The screen will sync with most SUN Resolution, including 1152 x 900 @ 66 or 76 Hz
- 20" display, 1600 x 1200 native graphic resolution
- Compatible with SUN, Apple, IBM, DELL, HP and USB Server
- Laptop-style tilting display provides for short pull-out and minimal intrusion into the aisle space in front of the rack.
- High-brightness 300-nit,TFT LCD Panel and high contrast-ration active TFT LCD flat panel integrated folding display.
- Full 104-keys SUN-compatible keyboard w/ 3-button trackball
- Industrial-grade heavy-duty steel construction
- Smooth-operating sliding rails that self-lock when pulled all the way out.
- Built-in thumb screws for securing the unit when folded and pushed all the way in.
- Adjustable mounting brackets compatible with SUN rack depths of 24 to 36 inch



Designed for



### Mechanical Drawing:



i-Tech Company LLC  
TOLL FREE: (888) 483-2418 • EMAIL: [info@i-techcompany.com](mailto:info@i-techcompany.com) • WEB: [www.iTechLCD.com](http://www.iTechLCD.com)

### Specifications:

LCD		
Panel	Samsung Grade A LCD Panel	
Display Size	20" inch diagonal	
Display Area	304.1 (H) x 228.1 (V) mm	
Resolution	1,600 x 1,200 with 60 Hz	
Display color	16.7 M	
Brightness	300 nits	
Contrast Ratio	<b>800:1</b>	
Response Time	TR=1/ Tf=4 ms	
Pixel Pitch	0.255 (H) x 0.255 (V) mm	
Viewing Angle	160/ 160 (H/ V)	
OSD Control	Brightness, Contrast, Phase & Clock, Color, H & V Position, Auto-tune, Recall & Language	
Signal Input	VGA, Analog RGB	
Option Video Input	S-video & Composite	
LCD MTBF	50,000 hrs	
Touch Screen Option		
Type	5-Wire Resistive	Surface Accoustic Wave
Thickness	2.2mm	3mm
Light transmission	87%	90%
Controller	Serial / USB	Serial / USB
Durability	35 million	50 million
OS Support	Windows XP, 2000, NT, 98, DOS and Linux	
Power		
110 or 220 VAC at 50 or 60 Hz via AC adapter (12V, 6A)		
Option DC power with 12V, 24V or 48V DC input		
Environmental		
Temperature	0 to 50 Degree Celsius (Operation) -25 to 60 Degree Celsius (Storage)	
Relative Humidity	90%, non condensing	
Shock	50G peak acceleration (11ms, half sine wave)	
Vibration	58~500Hz/ 0.98G (11min/ cycle)	