



Model: SNX11916e / SNX11916b

1U Sun Compatible Rackmount 19" LCD Monitor
Keyboard 16-port USB KVM Switch Drawer

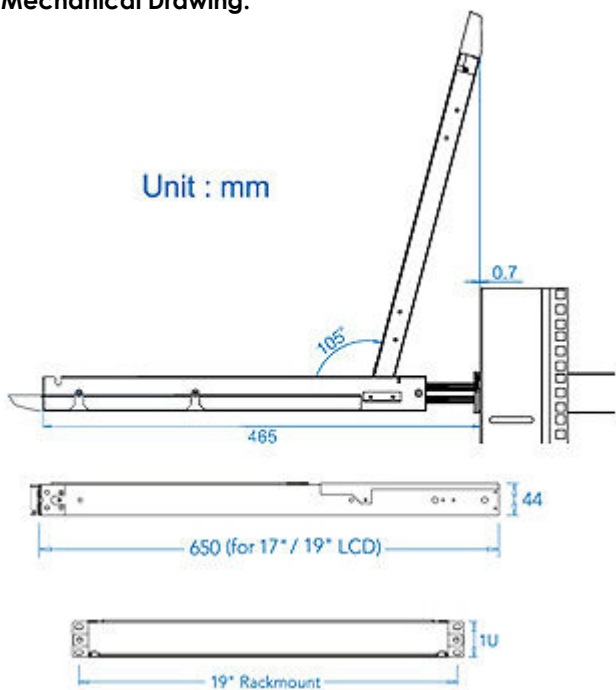
LCD Drawer & KVM Benefits:

- High density Cat5 KVM with either 16 or 8 ports in 1U
- Single or "One Man" installation slide for easy, quick installation
- 104 key notepad keyboard with full numerical pad and AUN function
- Mix USB & SUN with Multi-Platform switch capability
- Secure remote user access across the world wide web

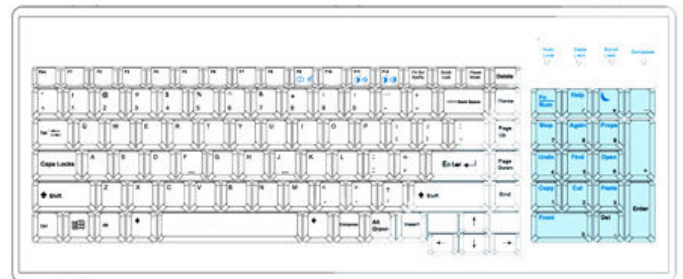
Drawer Features:

- 1U rackmount drawer with either 17" or 19" SAMSUNG LCD
- Either PS/2 or USB input to the LCD Drawer by cable selection
- Multiple keyboard language selections with either touchpad or trackball
- slide rails with fixed positions to prevent drawer movement when typing
- Multi lingual on screen display menu
- 12, 24 and 48 volt DC power options

Mechanical Drawing:



(e) SUN Keyboard



(b) SUN Keyboard



Specifications:

LCD	
Panel	TFT 19" LCD Panel
Screen Type	TFT
Frequency	60Hz
Contrast Ratio	700 : 1
Viewing Angle	150° (H) x 135° (V)
Resolution	1280 x 1024 (Sync with most SUN Resolution, including 1152 x 900 @ 66 or 76 Hz)
Pixel pitch	0.264(H) x 0.264(W) mm
Response Time	Tr=1.7ms, Tf=6.3ms (Typ.)
Brightness	300 cd/m2
Panel Color	16.7M
Storage Temp.	-25 - 60°C
Operating Temp.	0 - 50°C
Backlight MTBF	20,000 hours under 20 - 30°C
KVM (SNK117-8/117-16 only)	
Computer Connectors	8/16
Connector	15-pin HDB type, Keyboard,mouse, all-in-1
Cascade Level	8 Levels
Max. Access PCs	128
Input VGA Resolution	1920 x 1440
Power Supply	
Remote Adapter	110V - 220V AC Input 12V 5A Output
Adapter Size	4.3"(L) x 2.4" (W) x 1.2"(H)
Cable Legnght	6 ft (182cm)
Safety Approval	FCC, CE

USB Single Console KVM Switch

	8-Port	16-port
PC port	8	16
PC Port interface	HDDB 15 pin	N/A
PC Computer Interface	USB port: Type A Female VGA : HDDB 15pin Female	USB port: Type A Female VGA : HDDB 15pin Female
KVM Cable Connection	2-in-one HDDB 15-pin KVM Cable (CB-6/ 10/ 15)	2-in-one HDDB 15-pin KVM Cable (CB-6/ 10/ 15)
PC Selection	On screen display menu, Hot key, Push button	
LED	1 Bank LED 8 Online LED (Green) 8 Selected LED (Green)	1 Bank LED 16 Online LED (Green) 16 Selected LED (Green)
On screen display control	Yes	
Scan intervals	5-99 seconds	
Keyboard and mouse emulation	USB	
VGA resolution (Max.)	1920 x 1440	1920 x 1440
CAT.5 cable length (Max.)	N/A	N/A
Bandwidth	200MHz	200MHz
Cascade Level (Max.)	8 Levels	
Housing	Metal	
Power Adapter	DC 12V 1A	DC 12V 1A
Operation Temperature	0~40 °C	
Humidity	0~80%, Non-Conde	