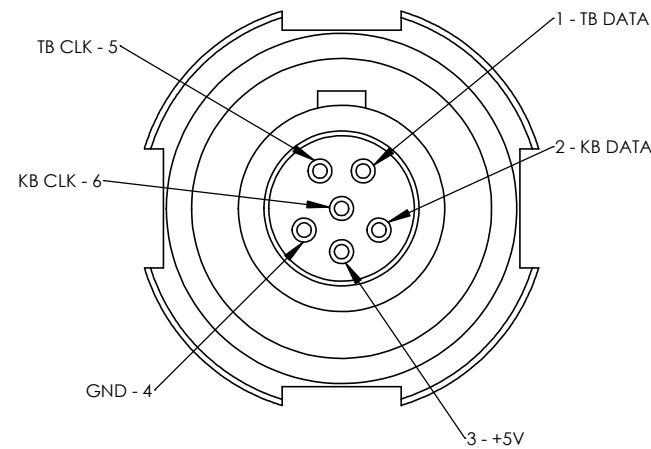
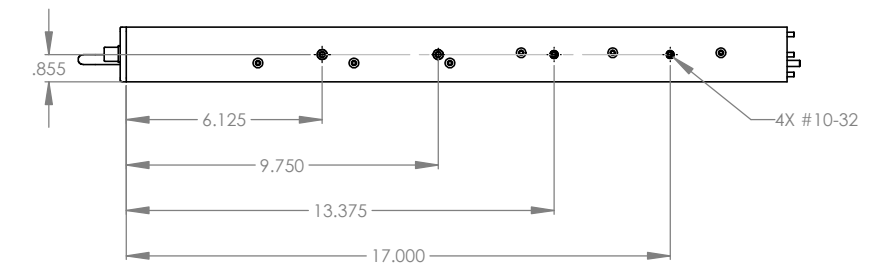
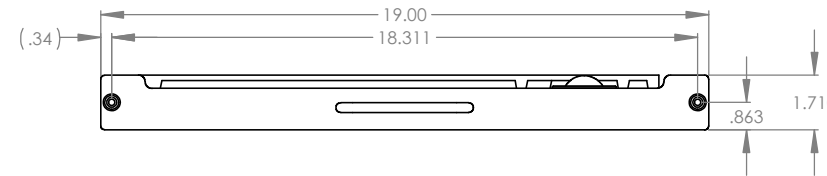
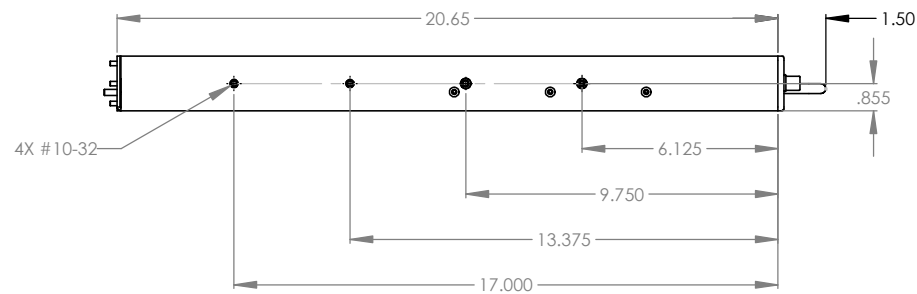
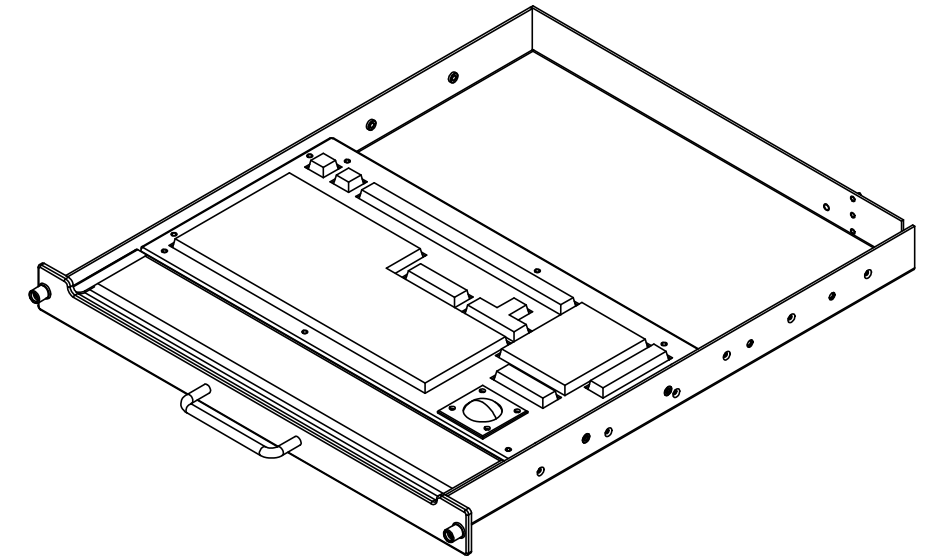
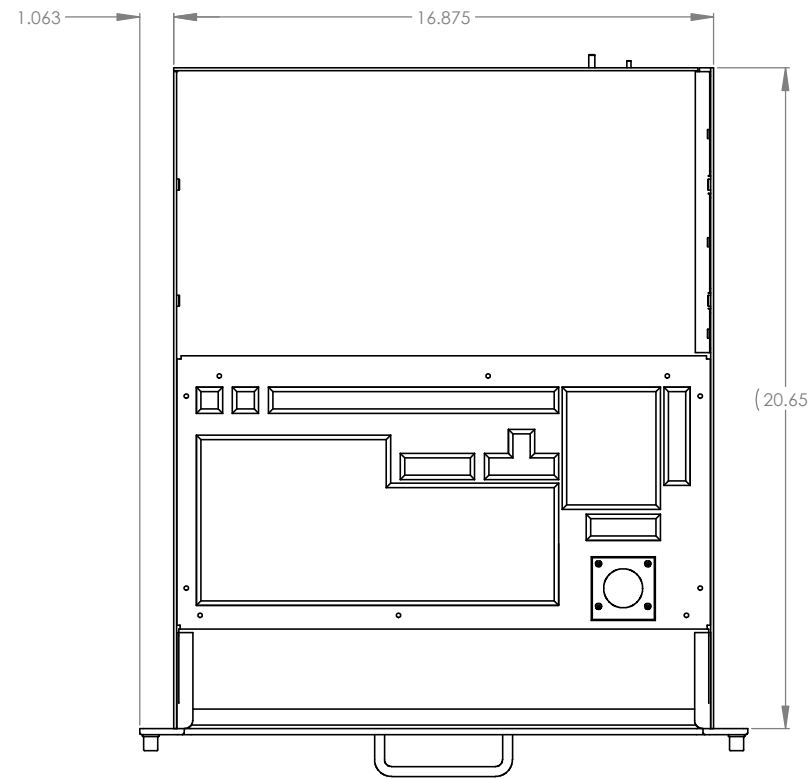


NOTICE: THIS DRAWING IS NOT TO BE DUPLICATED, MODIFIED OR OTHERWISE DISTRIBUTED WITHOUT WRITTEN PERMISSION FROM THE AUTHOR OF THIS DOCUMENT. CONTENTS OF THIS DRAWING ARE CONSIDERED TO BE CONFIDENTIAL AND USE IS STRICTLY LIMITED TO THOSE PARTIES WHO ARE DIRECTLY CONNECTED TO THE DEVELOPMENT AND/OR MANUFACTURING OF DESIGNS/PRODUCTS DEPICTED WITHIN SAID DOCUMENT

1U Aluminum-Alloy, Rack-mountable Chassis

Dimensions: 1.75" H x 19.00" W x 21.00" D
 PS/2 Compatible rugged keyboard
 - D38999/26FA35PB connector
 Integrated 1.50" three-button trackball
 Integrated wrist rest in front of keyboard
 Integrated cable management system

MODEL: TMRK1d-PRF-Rev2



NOT SHOWN TO SCALE
 D38999/26FA35B

TABLE 1. PRODUCT SPECIFICATIONS

WEIGHT	
INTERFACE	PS2
CONNECTOR	D38999/26FA35PB

CAGE CODE OXXY5	ENGINEERING & PROJECT APPROVALS	
	NAME	DATE
<p>GENERAL TOLERANCES UNLESS OTHERWISE SPECIFIED DIMENSIONS ARE IN INCHES ANGLES ± 1 X.X ± 0.1 X.XX ± 0.01 X.XXX ± 0.005</p>	MODELED	2/1/2019
	DRAFTED	2/1/2019
	CHECKED	
	ENG APPR	2/1/2019
	CURRENT REV CHECKED	
	APPR	
PROJ APPR		
CUST APPR		

TITLE:
TMRK1d-PRF-Rev2

SIZE DWG. NO. **D 248-CDW-001** REV **A**
 DO NOT SCALE DRAWING SHEET 1 OF 1



i-Tech Company LLC
 TOLL FREE: (888) 483-2418 • EMAIL: info@itechlcd.com • WEB: www.iTechLCD.com