

8.4" Panel Mount LCD Monitor

Model: IAP-800



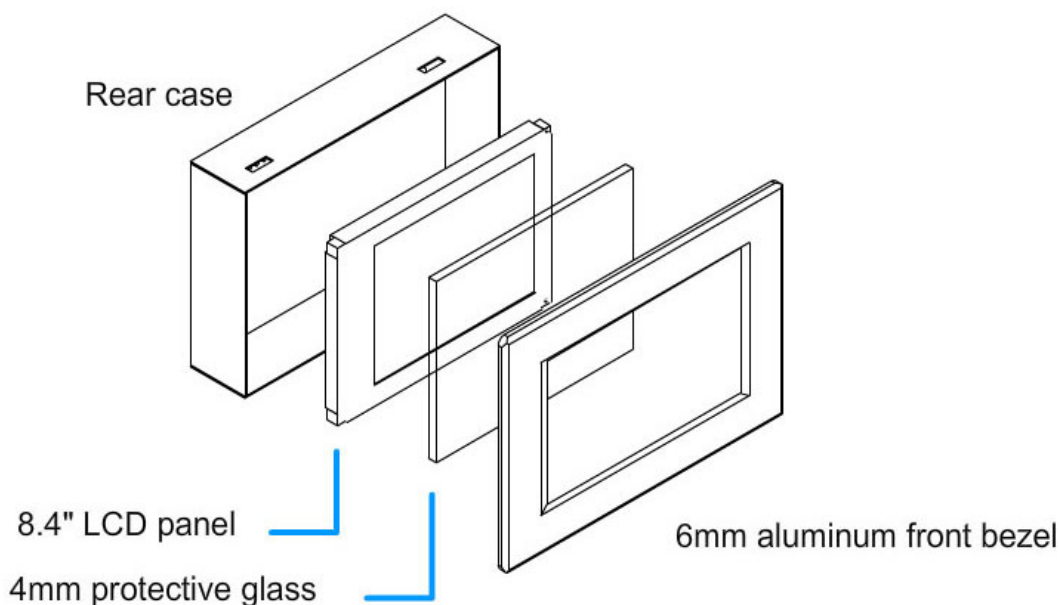
Features

- 8.4" industrial TFT LCD panel support 800 x 600 pixels
- 6mm Aluminum front bezel with 45 degree chamfer
- Rugged construction and modularized design
- 220 cd/m2 industrial brightness
- OSD control keys to optimize the display
- Optional video input (S-Video, RCA & BNC input)
- Optional DC power input (12 / 24 / 48 VDC)
- Optional TV tuner with remote controller
- Optional audio input with speaker
- Optional standard remote controller for AV & VGA input
- Optional touchscreen
- A wide range of mounting kits (VESA-mount, Mounting bracket, OEM mounting design...)

Application

- Embedded display Unit
- Industrial automation LCD panel
- Gaming, lottery & amusement display
- Touchscreen display panel

Mechanical Drawing



Options



AV
Input



BNC
Input



Touch
screen



DC Power
Input



TV Tuner
w/ Remote
Controller



Audio
Input



Standard
Remote
Controller

Specifications:

LCD Panel	
LCD Type	Grade A industrial TFT LCD Panel
Panel Size	8.4" diagonal
Display Area	170 x 128 mm (HxV)
Max. Resolution	800 x 600
Brightness	220 cd/m2 (Typical)
Color Support	262K
Viewing Angle	65° / 65° / 65° / 45° (L / R / U / D)
Contrast Ratio	500 : 1 (Typical)
Tr Response Time	10 ms
Pixel Pitch	0.213 x 0.213 mm
OSD Control	Brightness, Contrast, Phase & Clock, Color, H & V position, Auto-tune & Recall
LCD MTBF	50,000 hrs
Mechanical	
Material	6mm Aluminum (Front panel), 1.2mm Steel (Rear case)
Finish	Powder Coating
Color	Front Panel : Black, Back : Dark Grey (RAL7037)
Dimension	257 x 57 x 190 mm (WxDxH)
Weight	2 kg
Package Information	
Carton Box	523 x 100 x 403 mm (WxDxH)
Weight	4 kg
Signal Input	
Input Video Signal	Analog RGB
Video Level	Analog: 0.7Vp-p
Sync Type	Separate H/V, Composite H/V
Input Connector	D-Sub 15 pin VGA analog
Protective Glass	
Material	4 mm protective glass
Power	
Power Input	Auto-sensing 100 to 240VAC, 50 / 60Hz via AC Adapter
Power Consumption	Max. 40 Watt, Standby 5 Watt
Environmental	
Operation	0° to 50°C Degree
Storage	-5° to 60°C Degree
Relative Humidity	5~90%, non-condensing
Shock	10G acceleration (11ms duration)
Vibration	5~500Hz 1G RMS random vibration

Options:

AV Input	
Video Input Connectors	S-Video and Composite S-Video, RCA
BNC Input	
Video Input Connectors	S-Video and Composite S-Video, BNC
DC Power Input	
Input Voltage	12 / 24 / 48-Volt
Audio Input	
Audio Input Speaker	Analog audio 2-channel (L/R) 3W x 2
TV Tuner	
Signal Input Connectors	NTSC, PAL (I, B, G, H, M, D, N), SECAM (D, K, L, B, G) RF
e-Resistive Touchscreen	
Type Interface	5-Wire Resistive USB / Serial
Optical Transmittance	82%±5%
Surface Hardness	≥3H (JIS K5400)
Operating System	Windows 98 / 2000 / ME / XP / NT / CE, DOS, Linux