

# 8.4" Open Frame LCD Monitor

Model: iOP-800



## Features

- 8.4" industrial TFT LCD panel support 800 x 600 pixels
- Universal open frame mounting for various applications
- 220 cd/m2 industrial brightness
- OSD control keys to optimize the display
- Optional video input (S-Video, RCA & BNC input)
- Optional DC power input (12 / 24 / 48 VDC)
- Optional TV tuner with remote controller
- Optional audio input with speaker
- Optional standard remote controller for AV & VGA input
- Optional touchscreen
- A wide range of mounting kits (VESA-mount, open frame kit, OEM mounting design...)

## Options



AV Input



BNC Input



Touch screen



DC Power Input



TV Tuner w/ Remote Controller



Audio Input

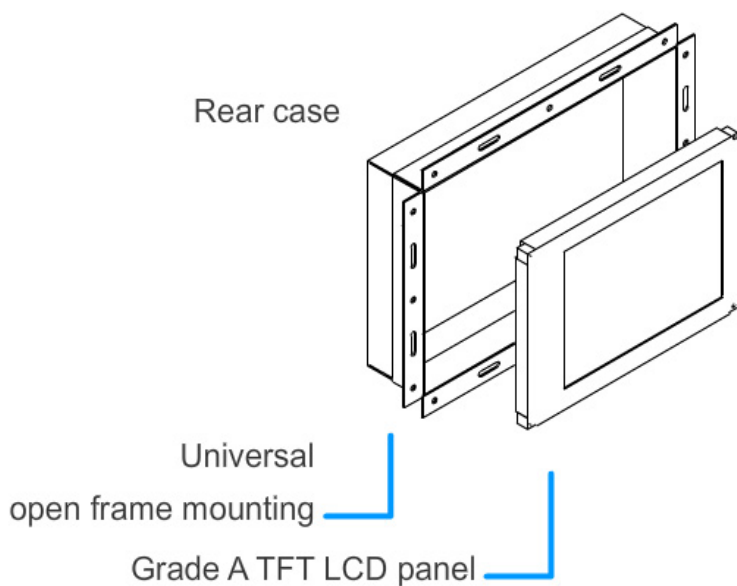


Standard Remote Controller

## Application

- Industrial process control
- Point of sales / Kiosk
- Security / Surveillance
- Touchscreen display panel

## Mechanical Drawing



**Specifications:**

<b>LCD Panel</b>	
LCD Type	Grade A industrial TFT LCD Panel
Panel Size	8.4" diagonal
Display Area	170 x 128 mm (HxV)
Max. Resolution	800 x 600
Brightness	220 cd/m2 (Typical)
Color Support	262K
Viewing Angle	65° / 65° / 65° / 45° (L / R / U / D)
Contrast Ratio	500 : 1 (Typical)
Tr Response Time	10 ms
Pixel Pitch	0.213 x 0.213 mm
OSD Control	Brightness, Contrast, Phase & Clock, Color, H & V position, Auto-tune & Recall
LCD MTBF	50,000 hrs
<b>Mechanical</b>	
Material	1.2mm Steel
Color	Black
Dimension	267 x 50 x 200 mm (WxDxH)
Weight	2 kg
<b>Package Information</b>	
Carton Box	523 x 100 x 403 mm (WxDxH)
Weight	4 kg
<b>Signal Input</b>	
Input Video Signal	Analog RGB
Video Level	Analog: 0.7Vp-p
Sync Type	Separate H/V, Composite H/V
Input Connector	D-Sub 15 pin VGA analog
<b>Protective Glass</b>	
Material	4 mm protective glass
<b>Power</b>	
Power Input	Auto-sensing 100 to 240VAC, 50 / 60Hz
Power Consumption	via AC Adapter Max. 40 Watt, Standby 5 Watt
<b>Environmental</b>	
Operation	0° to 50°C Degree
Storage	-5° to 60°C Degree
Relative Humidity	5~90%, non-condensing
Shock	10G acceleration (11ms duration)
Vibration	5~500Hz 1G RMS random vibration

**Options:**

<b>AV Input</b>	
Video Input Connectors	S-Video and Composite S-Video, RCA
<b>BNC Input</b>	
Video Input Connectors	S-Video and Composite S-Video, BNC
<b>DC Power Input</b>	
Input Voltage	12 / 24 / 48-Volt
<b>Audio Input</b>	
Audio Input Speaker	Analog audio 2-channel (L/R) 3W x 2
<b>TV Tuner</b>	
Signal Input Connectors	NTSC, PAL (I, B, G, H, M, D, N), SECAM (D, K, L, B, G) RF
<b>e-Resistive Touchscreen</b>	
Type	5-Wire Resistive
Interface	USB / Serial
Optical Transmittance	82%±5%
Surface Hardness	≥3H (JIS K5400)
Operating System	Windows 98 / 2000 / ME / XP / NT / CE, DOS, Linux