

19" Widescreen Open Frame Panel LCD Monitor

Model: iOP-W1900



Features

- Wide 19" (16 : 10) TFT LCD panel support 1440 x 900 pixels
- Universal open frame mounting for various applications
- 300 cd/m2 industrial brightness
- OSD control keys to optimize the display
- Optional TV tuner
- Optional audio input with speaker
- Optional remote controller
- Optional BNC, DVI input
- A wide range of mounting kits (VESA-mount, open frame kit, OEM mounting design...)

Options



**BNC
Input**



**DVI
Input**



**TV
Tuner**



**Audio
Input**



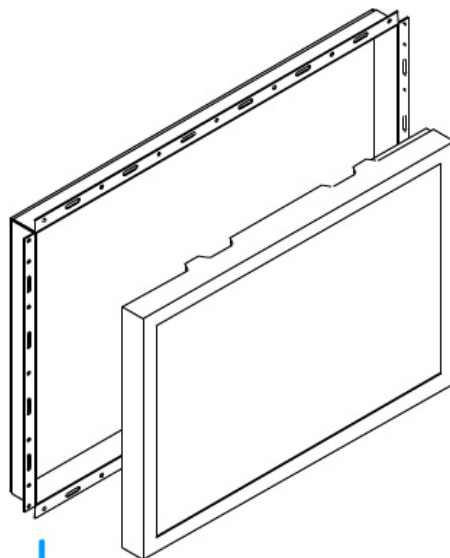
**Remote
Controller**

Application

- Industrial process control LCD panel
- Point of sales / Kiosk
- Security / surveillance
- Flight information display panel

Mechanical Drawing


Rear case



Universal
open frame mounting

Wide 19" LCD panel

Specifications:

LCD Panel	
LCD	
Manufacturer	Grade A industrial TFT LCD Panel
LCD Type	Wide 19" diagonal (16:10)
Panel Size	408 x 255 mm (HxV)
Display Area	1440 x 900
Max. Resolution	300 cd/m2 (Typical)
Brightness	16.7 Mil.
Color Support	80° / 80° / 80° / 80° (L / R / U / D)
Viewing Angle	1000 : 1 (Typical)
Contrast Ratio	1.3 ms
Tr Response Time	0.284 x 0.284 mm
Pixel Pitch	Brightness, Contrast, Phase & Clock, Color, H & V position, Auto-tune & Recall
OSD Control	50,000 hrs
LCD MTBF	
Mechanical	
Material	1.2mm Steel
Color	Black
Dimension	468 x 54 x 314 mm (WxDxH)
Weight	5 kg
Package Information	
Carton Box	653 x 112 x 558 mm (WxDxH)
Weight	10 kg
Signal Input	
Input Video Signal	Analog RGB
Video Level	Analog: 0.7Vp-p
Sync Type	Separate H/V, Composite H/V
Input Connector	D-Sub 15 pin VGA analog
Video Input	
Video Input Connectors	S-Video and Composite S-Video (Mini-DIN 4), RCA
Audio Input	
Audio Input Connectors	Analog audio 2-channel (L/R) Audio RCA x 2
Power	
Power Input	Auto-sensing 100 to 240VAC, 50 / 60Hz via AC Adapter
Power Consumption	Max. 48 Watt, Standby 5 Watt
Environmental	
Operation	0° to 50°C Degree
Storage	-5° to 60°C Degree
Relative Humidity	5~90%, non-condensing
Shock	10G acceleration (11ms duration)
Vibration	5~500Hz 1G RMS random vibration

Options:

Audio Input	
Audio Input Speaker	Analog audio 2-channel (L/R) 3W x 2
BNC Input	
Video Input Connectors	S-Video and Composite S-Video, BNC
DVI Input	
Video Input Connectors	DVI digital input DVI-D
TV Tuner	
Signal Input	NTSC, PAL (I, B, G, H, M, D, N), SECAM (D, K, L, B, G)
Connectors	RF