

# 19" Front Aluminum LCD Panel

Model: iAP-1900



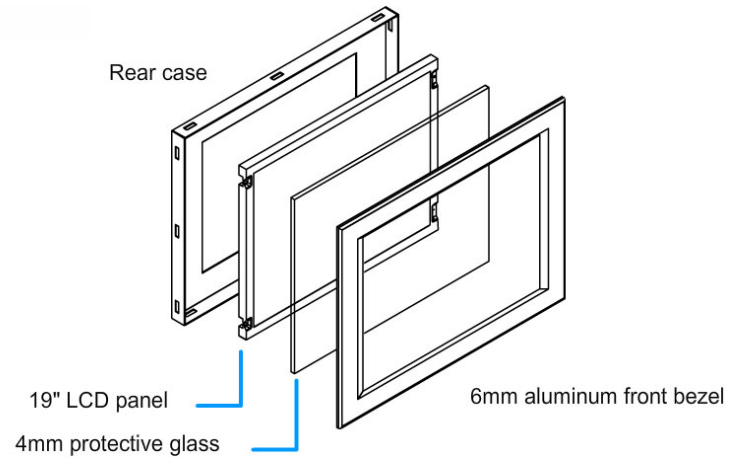
## Features

- 19" industrial TFT LCD panel support 1280 x 1024 pixels
- 6mm Aluminum front bezel with 45 degree chamfer
- Rugged construction and modularized design
- 250 cd/m2 industrial brightness
- OSD control keys to optimize the display
- Optional video input (S-Video, RCA & BNC input)
- Optional DC power input (12 / 24 / 48 VDC)
- Optional TV tuner with remote controller
- Optional audio input with speaker
- Optional standard remote controller for AV & VGA input
- Optional touchscreen
- A wide range of mounting kits (VESA-mount, open frame kit, OEM mounting design...)

## Application

- Embedded display Unit
- Industrial automation LCD panel
- Gaming, lottery & amusement display
- Touchscreen display panel

## Diagram



## Options



AV Input



BNC Input



DVI Input



DC Power Input



Touch screen



TV Tuner w/ Remote Controller



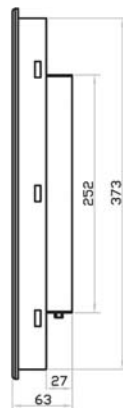
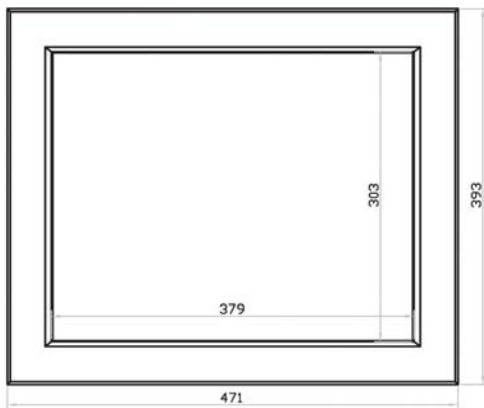
Audio Input



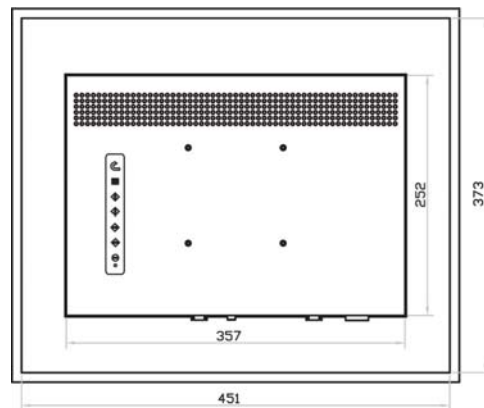
Standard Remote Controller

## Mechanical Drawing

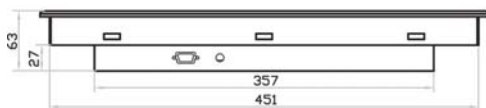
Front View



Back View



UNIT : mm  
1mm = 0.03937 inch



## Specifications:

<b>LCD Panel</b>	
LCD Type	Grade A industrial TFT LCD Panel
Panel Size	19" diagonal
Display Area	376 x 301 mm (HxV)
Max. Resolution	1280 x 1024
Brightness	250 cd/m <sup>2</sup> (Typical)
Color Support	16.7 Mil.
Viewing Angle	80° / 80° / 80° / 80° (L / R / U / D)
Contrast Ratio	1000 : 1 (Typical)
Tr Response Time	1.3 ms
Pixel Pitch	0.294 x 0.294 mm
OSD Control	Brightness, Contrast, Phase & Clock, Color, H & V position, Auto-tune & Recall
LCD MTBF	50,000 hrs

<b>Mechanical</b>	
Material	6mm Aluminum (Front panel), 1.2mm Steel (Rear case)
Finish	Powder Coating
Color	Front Panel : Black, Back : Dark Grey (RAL7037)
Dimension	471 x 63 x 393 mm (WxDxH)
Weight	6 kg

<b>Package Information</b>	
Carton Box	653 x 112 x 558 mm (WxDxH)
Weight	8 kg

<b>Signal Input</b>	
Input Video Signal	Analog RGB
Video Level	
Sync Type	Analog: 0.7Vp-p
Input Connector	Separate H/V, Composite H/V D-Sub 15 pin VGA analog

<b>Protective Glass</b>	
Material	4 mm protective glass

<b>Power</b>	
Power Input	Auto-sensing 100 to 240VAC, 50 / 60Hz via AC
Power	Adapter
Consumption	Max. 40 Watt, Standby 5 Watt

<b>Environmental</b>	
Operation	0° to 50°C Degree
Storage	-5° to 60°C Degree
Relative Humidity	5~90%, non-condensing
Shock	10G acceleration (11ms duration)
Vibration	5~500Hz 1G RMS random vibration

## Options:

<b>AV Input</b>	
Video Input Connectors	S-Video and Composite S-Video, RCA

<b>BNC Input</b>	
Video Input Connectors	S-Video and Composite S-Video, BNC

<b>DVI Input</b>	
Video Input Connectors	DVI digital input DVI-D

<b>DC Power Input</b>	
Input Voltage	12 / 24 / 48-Volt

<b>Audio Input</b>	
Audio Input	Analog audio 2-channel (L/R)
Speaker	3W x 2

<b>TV Tuner</b>	
Signal Input	NTSC, PAL (I, B, G, H, M, D, N), SECAM (D, K, L, B, G)
Connectors	RF

<b>e-Resistive Touchscreen</b>	
Type	5-Wire Resistive
Interface	USB / Serial
Optical Transmittance	82%±5%
Surface Hardness	≥3H (JIS K5400)
Operating System	Windows 98 / 2000 / ME / XP / NT / CE, DOS, Linux

<b>3M Capacitive Touchscreen</b>	
Type	3M Capacitive
Interface	USB / Serial
Optical Transmittance	88%
Surface Hardness	Mohs' hardness rating: 6
Operating System	Windows 98 / 2000 / ME / XP / NT / CE, DOS, Linux

