

# 6.5" Front Aluminum LCD Panel

## Model: iAP-600



### Display Benefits

- 6.5" LCD with resolution 640 x 480
- Green LED-backlit panel technology
- Rugged construction against external impact
- Protective 3mm glass

### Options

- S-Video + BNC & Audio
- 6.5" Touchscreen : Capacitive, Resistive
- 48V, 24V or 12VDC power
- TV - Analog

#### Standard I/O



#### AD1.2 upgrade I/O



### Specifications:

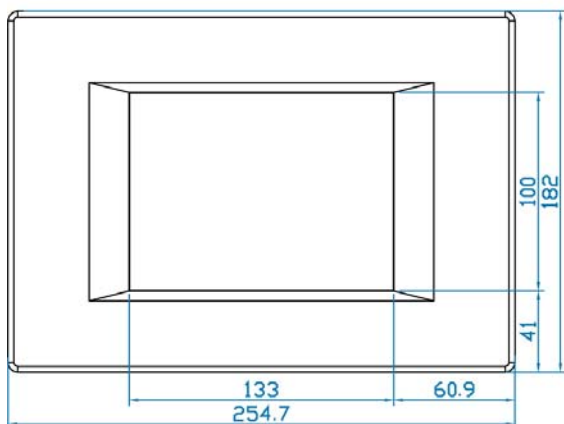
LCD Panel	
Size (diagonal) :	6.5" TFT
Max resolution :	640 x 480
Brightness (cd/m2) :	800
Backlight :	LED
Colors :	262 K
Contrast ratio (typ) :	600 : 1
Viewing angle (H/V) :	160° x 140°
Active area (mm) :	132 x 99
MTBF (hrs) :	50,000
Signal input :	VGA
Weight	
Net / Gross :	1.5 kgs ( 3.3 lbs ) / 3.5 kgs ( 7.7 lbs )
Mounting :	
	Panel mount / VESA mount

Environmental	
Operating :	0 to 50°C Degree
Storage :	-5 to 60°C Degree
Relative humidity :	5-90%, non-condensing
Shock :	10G acceleration ( 11 ms duration )
Vibration :	5-500Hz 1G RMS random vibration
<b>Casing Color :</b>	Black front panel ( RAL 9005 ) Dark grey rear case ( RAL 7037 )
Regulatory :	
	FCC, CE
Power	
Input :	Auto-sensing 100 to 240VAC, 50 / 60Hz
Consumption :	Max. 40 Watt, Standby 5 Watt
Dimensions	
Product :	255 x 68 x 182 mm / 10 x 2.7 x 7.2 inch
Packing :	515 x 117 x 429 mm / 20.3 x 4.6 x 16.9 inch

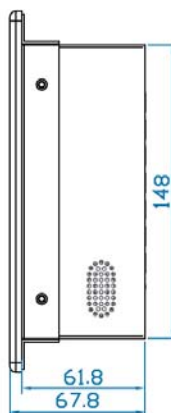
### Mechanical Drawing

#### Diagrams ( mm )

#### Front View



#### Side View



#### Rear View

