

# 10.4" Stylish Front Aluminum Cover LCD Panel Model: iDP-1000A



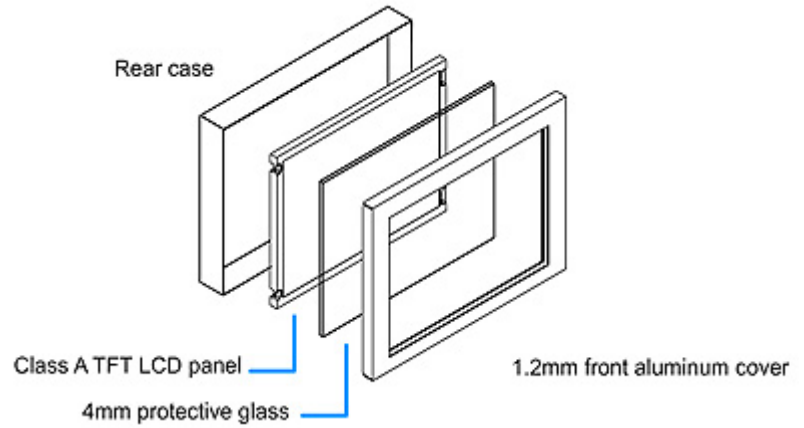
## Features

- 10.4" industrial TFT LCD panel support 800 x 600 pixels
- 1.2mm aluminum front cover
- Modularized design provides extra adaptability
- 230 cd/m2 industrial brightness
- OSD control keys to optimize the display
- Optional video input (S-Video, RCA & BNC input)
- Optional DC power input (12 / 24 / 48 VDC)
- Optional TV tuner with remote controller
- Optional audio input with speaker
- Optional standard remote controller for AV & VGA input
- Optional touchscreen
- A wide range of mounting kits (VESA-mount, OEM mounting design...)

## Application

- Embedded display Unit
- Industrial automation LCD panel
- Gaming, lottery & amusement display
- Touchscreen display panel

## Diagram



## Options



AV Input



BNC Input



Touch screen



DC Power Input



TV Tuner w/ Remote Controller



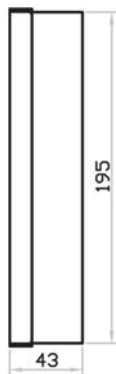
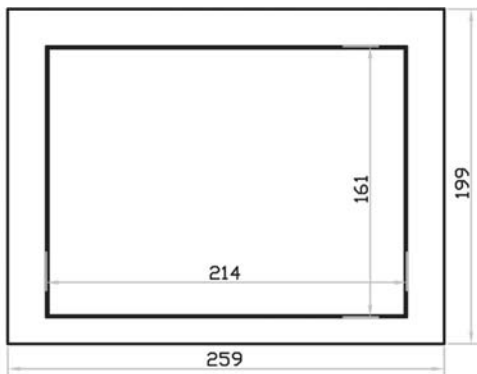
Audio Input



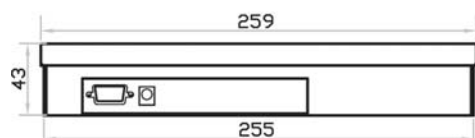
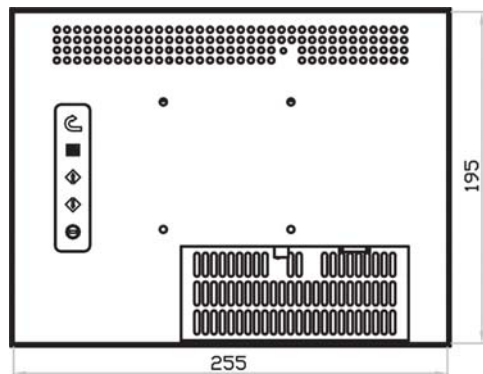
Standard Remote Controller

## Mechanical Drawing

Front View



Back View



UNIT : mm  
1mm = 0.03937 inch

## Specifications:

<b>LCD Panel</b>	
LCD Type	Grade A industrial TFT LCD Panel
Panel Size	10.4" diagonal
Display Area	211 x 158 mm (HxV)
Max. Resolution	800 x 600
Brightness	230 cd/m <sup>2</sup> (Typical)
Color Support	262K
Viewing Angle	70° / 70° / 55° / 65° (L / R / U / D)
Contrast Ratio	500 : 1 (Typical)
Tr Response Time	10 ms
Pixel Pitch	0.264 x 0.264 mm
OSD Control	Brightness, Contrast, Phase & Clock, Color, H & V position, Auto-tune & Recall
LCD MTBF	50,000 hrs

<b>Mechanical</b>	
Material	1.2mm Aluminum (Front cover), 1.2mm Steel (Rear case)
Finish	Powder Coating
Color	Front Cover : Black, Back : Dark Grey(RAL7037)
Dimension	269 x 46 x 211 mm (WxDxH)
Weight	2 kg

<b>Package Information</b>	
Carton Box	523 x 100 x 403 mm (WxDxH)
Weight	4 kg

<b>Signal Input</b>	
Input Video Signal	Analog RGB
Video Level	
Sync Type	Analog: 0.7Vp-p
Input Connector	Separate H/V, Composite H/V D-Sub 15 pin VGA analog

<b>Protective Glass</b>	
Material	4 mm protective glass

<b>Power</b>	
Power Input	Auto-sensing 100 to 240VAC, 50 / 60Hz via AC Adapter
Power	
Consumption	Max. 40 Watt, Standby 5 Watt

<b>Environmental</b>	
Operation	0° to 50°C Degree
Storage	-5° to 60°C Degree
Relative Humidity	5~90%, non-condensing
Shock	10G acceleration (11ms duration)
Vibration	5~500Hz 1G RMS random vibration

## Options:

<b>AV Input</b>	
Video Input Connectors	S-Video and Composite S-Video, RCA

<b>BNC Input</b>	
Video Input Connectors	S-Video and Composite S-Video, BNC

<b>DC Power Input</b>	
Input Voltage	12 / 24 / 48-Volt

<b>Audio Input</b>	
Audio Input Speaker	Analog audio 2-channel (L/R) 3W x 2

<b>TV Tuner</b>	
Signal Input Connectors	NTSC, PAL (I, B, G, H, M, D, N), SECAM (D, K, L, B, G) RF

<b>e-Resistive Touchscreen</b>	
Type	5-Wire Resistive
Interface	USB / Serial
Optical Transmittance	82%±5%
Surface Hardness	≥3H (JIS K5400)
Operating System	Windows 98 / 2000 / ME / XP / NT / CE, DOS, Linux

<b>3M Capacitive Touchscreen</b>	
Type	3M Capacitive
Interface	USB / Serial
Optical Transmittance	88%
Surface Hardness	Mohs' hardness rating: 6
Operating System	Windows 98 / 2000 / ME / XP / NT / CE, DOS, Linux

