

12.1" Stylish Front Aluminum Cover LCD Panel Model: iDP-1200A



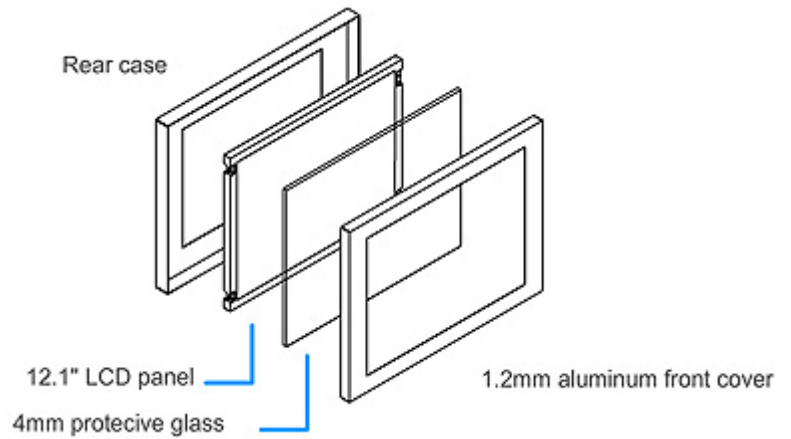
Features

- 12.1" industrial TFT LCD panel support 800 x 600 pixels
- 1.2mm aluminum front cover
- Modularized design provides extra adaptability
- 400 cd/m2 industrial brightness
- OSD control keys to optimize the display
- Optional video input (S-Video, RCA & BNC input)
- Optional DC power input (12 / 24 / 48 VDC)
- Optional TV tuner with remote controller
- Optional audio input with speaker
- Optional standard remote controller for AV & VGA input
- Optional touchscreen
- A wide range of mounting kits (VESA-mount, OEM mounting design...)

Application

- Embedded display Unit
- Industrial automation LCD panel
- Gaming, lottery & amusement display
- Touchscreen display panel

Diagram



Options



AV Input



BNC Input



Touch screen



DC Power Input



TV Tuner w/ Remote Controller



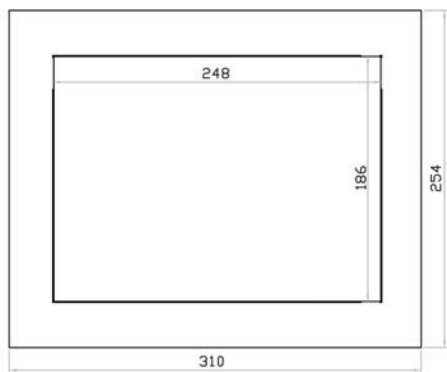
Audio Input



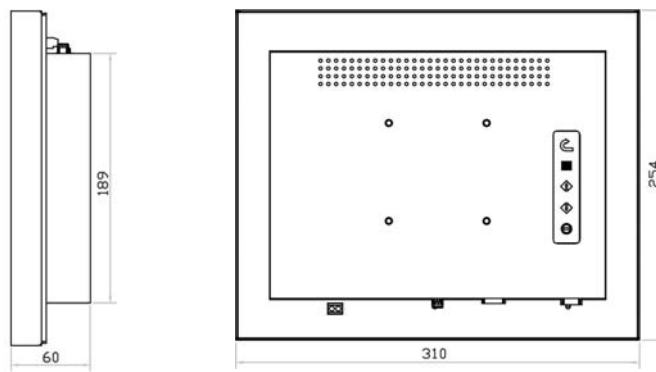
Standard Remote Controller

Mechanical Drawing

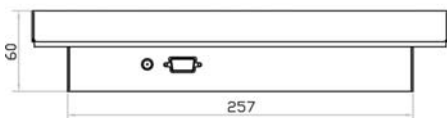
Front View



Back View



UNIT : mm
1mm = 0.03937 inch



Specifications:

LCD Panel

LCD Type	Grade A industrial TFT LCD Panel
Panel Size	12.1" diagonal
Display Area	246 x 185 mm (HxV)
Max. Resolution	800 x 600
Brightness	400 cd/m ² (Typical)
Color Support	262K
Viewing Angle	65° / 65° / 50° / 60° (L / R / U / D)
Contrast Ratio	500 : 1 (Typical)
Tr Response Time	10 ms
Pixel Pitch	0.308 x 0.308 mm
OSD Control	Brightness, Contrast, Phase & Clock, Color, H & V position, Auto-tune & Recall
LCD MTBF	50,000 hrs

Mechanical

Material	1.2mm Aluminum (Front cover), 1.2mm Steel (Rear case)
Finish	Powder Coating
Color	Front Cover : Black, Back : Dark Grey(RAL7037)
Dimension	310 x 60 x 254 mm (WxDxH)
Weight	3 kg

Package Information

Carton Box	558 x 105 x 473 mm (WxDxH)
Weight	5 kg

Signal Input

Input Video Signal	Analog RGB
Video Level	
Sync Type	Analog: 0.7Vp-p
Input Connector	Separate H/V, Composite H/V D-Sub 15 pin VGA analog

Protective Glass

Material	4 mm protective glass
----------	-----------------------

Power

Power Input	Auto-sensing 100 to 240VAC, 50 / 60Hz via AC
Power	Adapter
Consumption	Max. 40 Watt, Standby 5 Watt

Environmental

Operation	0° to 50°C Degree
Storage	-5° to 60°C Degree
Relative Humidity	5~90%, non-condensing
Shock	10G acceleration (11ms duration)
Vibration	5~500Hz 1G RMS random vibration

Options:

AV Input

Video Input Connectors	S-Video and Composite S-Video, RCA
------------------------	---------------------------------------

BNC Input

Video Input Connectors	S-Video and Composite S-Video, BNC
------------------------	---------------------------------------

DC Power Input

Input Voltage	12 / 24 / 48-Volt
---------------	-------------------

Audio Input

Audio Input Speaker	Analog audio 2-channel (L/R) 3W x 2
---------------------	--

TV Tuner

Signal Input Connectors	NTSC, PAL (I, B, G, H, M, D, N), SECAM (D, K, L, B, G) RF
-------------------------	--

e-Resistive Touchscreen

Type	5-Wire Resistive
Interface	USB / Serial
Optical Transmittance	82%±5%
Surface Hardness	≥3H (JIS K5400)
Operating System	Windows 98 / 2000 / ME / XP / NT / CE, DOS, Linux

3M Capacitive Touchscreen

Type	3M Capacitive
Interface	USB / Serial
Optical Transmittance	88%
Surface Hardness	Mohs' hardness rating: 6
Operating System	Windows 98 / 2000 / ME / XP / NT / CE, DOS, Linux

