

19" Stylish Front Aluminum Cover LCD Panel

Model: iDP-1900A



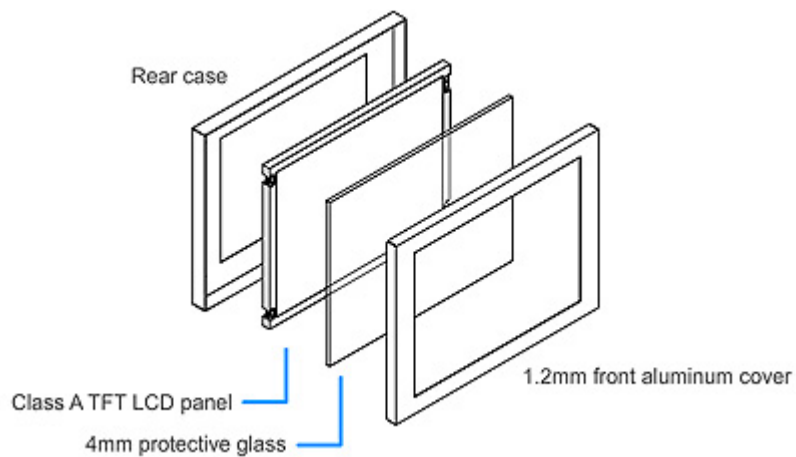
Features

- 19" industrial TFT LCD panel support 1280 x 1024 pixels
- 1.2mm aluminum front cover
- Modularized design provides extra adaptability
- 250 cd/m2 industrial brightness
- OSD control keys to optimize the display
- Optional video input (S-Video, RCA, BNC & DVI)
- Optional DC power input (12 / 24 / 48 VDC)
- Optional TV tuner with remote controller
- Optional audio input with speaker
- Optional standard remote controller for AV, VGA & DVI input
- Optional touchscreen
- A wide range of mounting kits (VESA-mount, OEM mounting design...)

Application

- Embedded display Unit
- Industrial automation LCD panel
- Gaming, lottery & amusement display
- Touchscreen display panel

Diagram



Options



Video Input

AV Input



BNC Video Input

BNC Input



DVI-D Input

DVI Input



DC Input

DC Power Input



Touch screen

Touch screen



TV Tuner

TV Tuner w/ Remote Controller



Audio Input

Audio Input

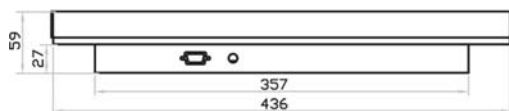
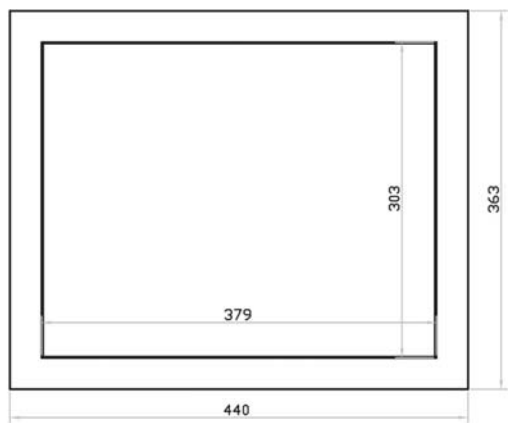


Remote

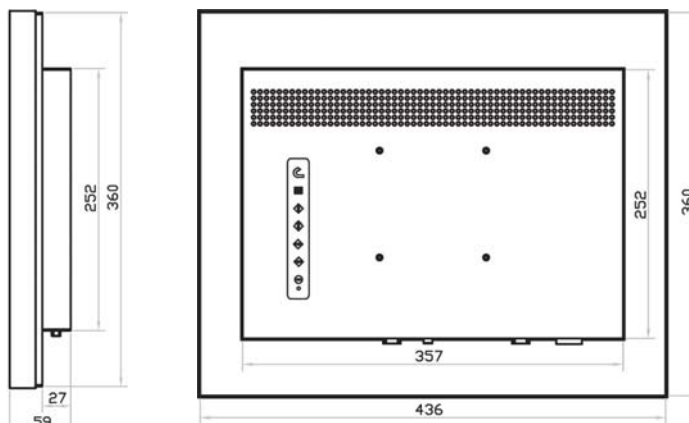
Standard Remote Controller

Mechanical Drawing

Front View



Back View



UNIT : mm
1mm = 0.03937 inch

Specifications:

LCD Panel	
LCD Type	Grade A industrial TFT LCD Panel
Panel Size	19" diagonal
Display Area	376 x 301 mm (HxV)
Max. Resolution	1280 x 1024
Brightness	250 cd/m ² (Typical)
Color Support	16.7 Mil.
Viewing Angle	80° / 80° / 80° / 80° (L / R / U / D)
Contrast Ratio	1000 : 1 (Typical)
Tr Response Time	1.3 ms
Pixel Pitch	0.294 x 0.294 mm
OSD Control	Brightness, Contrast, Phase & Clock, Color, H & V position, Auto-tune & Recall
LCD MTBF	50,000 hrs

Mechanical	
Material	1.2mm Aluminum (Front cover), 1.2mm Steel (Rear case)
Finish	Powder Coating
Color	Front Cover : Black, Back : Dark Grey(RAL7037)
Dimension	440 x 59 x 363 mm (WxDxH)
Weight	6 kg

Package Information	
Carton Box	653 x 112 x 558 mm (WxDxH)
Weight	8 kg

Signal Input	
Input Video Signal	Analog RGB
Video Level	
Sync Type	Analog: 0.7Vp-p
Input Connector	Separate H/V, Composite H/V D-Sub 15 pin VGA analog

Protective Glass	
Material	4 mm protective glass

Power	
Power Input	Auto-sensing 100 to 240VAC, 50 / 60Hz via AC
Power	Adapter
Consumption	Max. 40 Watt, Standby 5 Watt

Environmental	
Operation	0° to 50°C Degree
Storage	-5° to 60°C Degree
Relative Humidity	5~90%, non-condensing
Shock	10G acceleration (11ms duration)
Vibration	5~500Hz 1G RMS random vibration

Options:

AV Input	
Video Input Connectors	S-Video and Composite S-Video, RCA

BNC Input	
Video Input Connectors	S-Video and Composite S-Video, BNC

DVI Input	
Video Input Connectors	DVI digital input DVI-D

DC Power Input	
Input Voltage	12 / 24 / 48-Volt

Audio Input	
Audio Input Speaker	Analog audio 2-channel (L/R) 3W x 2

TV Tuner	
Signal Input Connectors	NTSC, PAL (I, B, G, H, M, D, N), SECAM (D, K, L, B, G) RF

e-Resistive Touchscreen	
Type	5-Wire Resistive
Interface	USB / Serial
Optical Transmittance	82%±5%
Surface Hardness	≥3H (JIS K5400)
Operating System	Windows 98 / 2000 / ME / XP / NT / CE, DOS, Linux

3M Capacitive Touchscreen	
Type	3M Capacitive
Interface	USB / Serial
Optical Transmittance	88%
Surface Hardness	Mohs' hardness rating: 6
Operating System	Windows 98 / 2000 / ME / XP / NT / CE, DOS, Linux

