

19" Widescreen Stylish Front Aluminum Cover LCD Panel Model: iDP-1900AW

Features

- Wide 19" (16 : 10) TFT LCD panel support 1440 x 900 pixels
- 1.2mm aluminum front cover
- 300 cd/m2 industrial brightness
- OSD control keys to optimize the display
- Built-in VGA & video input (S-Video & RCA)
- Optional TV tuner
- Optional audio input with speaker
- Optional remote controller
- Optional BNC, DVI input
- A wide range of mounting kits (VESA-mount, OEM mounting design...)

Options



BNC
Video Input

BNC
Input



DVI
Input

DVI
Input



TV
Tuner

TV
Tuner



Audio
Input

Audio
Input



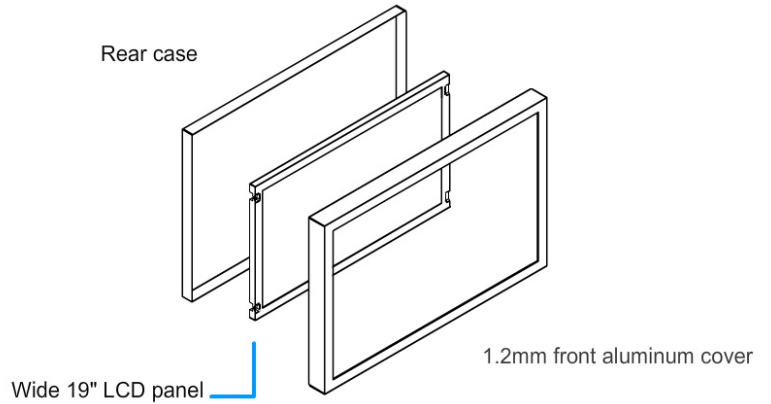
Remote
Controller

Remote
Controller

Application

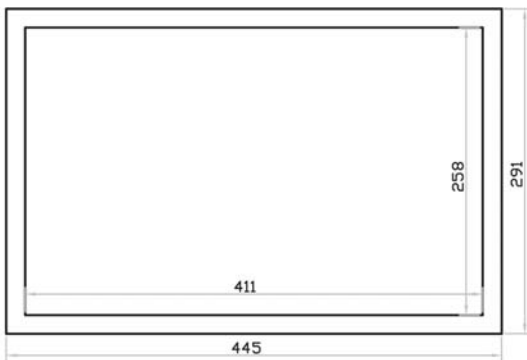
- Industrial process control LCD panel
- Point of sales / Kiosk
- Security / surveillance
- Flight information display panel

Diagram

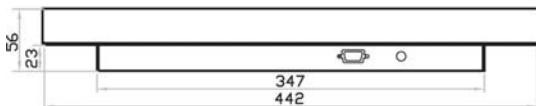
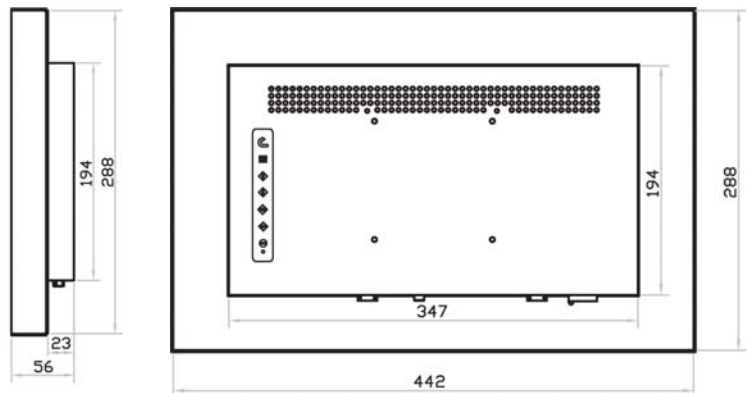


Mechanical Drawing

Front View




Back View



UNIT : mm
1mm = 0.03937 inch

Specifications:

LCD Panel

LCD Manufacturer	
LCD Type	Grade A industrial TFT LCD Panel
Panel Size	Wide 19" diagonal (16:10)
Display Area	408 x 255 mm (HxV)
Max. Resolution	1440 x 900
Brightness	300 cd/m2 (Typical)
Color Support	16.7 Mil.
Viewing Angle	80° / 80° / 80° / 80° (L / R / U / D)
Contrast Ratio	1000 : 1 (Typical)
Tr Response Time	1.3 ms
Pixel Pitch	0.284 x 0.284 mm
OSD Control	Brightness, Contrast, Phase & Clock, Color, H & V position, Auto-tune & Recall
LCD MTBF	50,000 hrs

Mechanical

Material	1.2mm Aluminum (Front cover), 1.2mm Steel (Rear case)
Finish	Powder Coating
Color	Front Cover : Black, Back : Dark Grey(RAL7037)
Dimension	445 x 56 x 291 mm (WxDxH)
Weight	5 kg

Package Information

Carton Box	653 x 112 x 558 mm (WxDxH)
Weight	10 kg

Signal Input

Input Video Signal	Analog RGB
Video Level	
Sync Type	Analog: 0.7Vp-p
Input Connector	Separate H/V, Composite H/V D-Sub 15 pin VGA analog

Video Input

Video Input	S-Video and Composite
Connectors	S-Video (Mini-DIN 4), RCA

Audio Input

Audio Input	Analog audio 2-channel (L/R)
Connectors	Audio RCA x 2

Power

Power Input	Auto-sensing 100 to 240VAC, 50 / 60Hz via AC Adapter
Power Consumption	Max. 48 Watt, Standby 5 Watt

Environmental

Operation	0° to 50°C Degree
Storage	-5° to 60°C Degree
Relative Humidity	5-90%, non-condensing
Shock	10G acceleration (11ms duration)
Vibration	5-500Hz 1G RMS random vibration

Options:

Audio Input

Audio Input	Analog audio 2-channel (L/R)
Speaker	3W x 2

BNC Input

Video Input	S-Video and Composite
Connectors	S-Video, BNC

DVI Input

Video Input	DVI digital input
Connectors	DVI-D

TV Tuner

Signal Input	NTSC, PAL (I, B, G, H, M, D, N), SECAM (D, K, L, B, G)
Connectors	RF