

20" Stylish Front Aluminum Cover LCD Panel Model: iDP-2000A



Features

- 20.1" industrial TFT LCD panel support 1600 x 1200 pixels
- 1.2mm aluminum front cover
- Modularized design provides extra adaptability
- 300 cd/m2 industrial brightness
- OSD control keys to optimize the display
- Optional video input (S-Video, RCA, BNC & DVI)
- Optional DC power input (12 / 24 / 48 VDC)
- Optional TV tuner with remote controller
- Optional audio input with speaker
- Optional standard remote controller for AV, VGA & DVI input
- Optional touchscreen
- A wide range of mounting kits (VESA-mount, OEM mounting design...)

Application

- Industrial process control
- Point of sales / Kiosk
- Security / Surveillance
- Touchscreen display panel

Options



AV
Input



BNC
Input



DVI
Input



DC Power
Input



Touch
screen



TV Tuner
w/ Remote
Controller

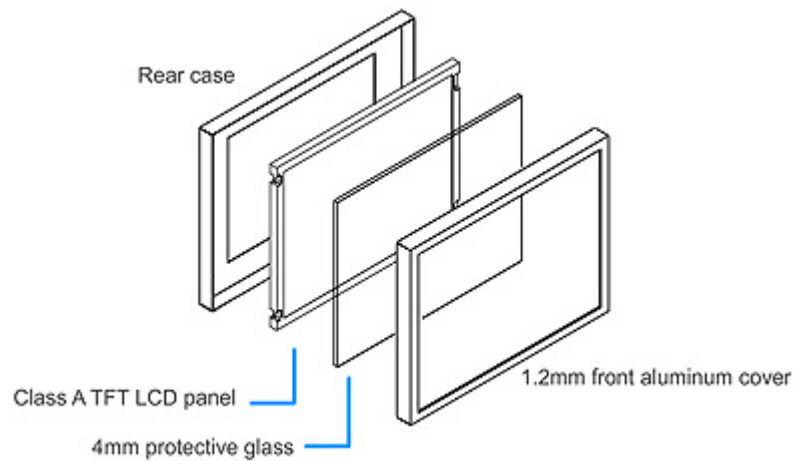


Audio
Input



Standard
Remote
Controller

Diagram



Specifications:

LCD Panel	
LCD Type	Grade A industrial TFT LCD Panel
Panel Size	20.1" diagonal
Display Area	408 x 306 mm (HxV)
Max. Resolution	1600 x 1200
Brightness	300 cd/m2 (Typical)
Color Support	16.7 Mil.
Viewing Angle	80° / 80° / 80° / 80° (L / R / U / D)
Contrast Ratio	800 : 1 (Typical)
Tr Response Time	1 ms
Pixel Pitch	0.255 x 0.255 mm
OSD Control	Brightness, Contrast, Phase & Clock, Color, H & V position, Auto-tune & Recall
LCD MTBF	50,000 hrs

Mechanical	
Material	1.2mm Aluminum (Front cover), 1.2mm Steel (Rear case)
Finish	Powder Coating
Color	Front Cover : Black, Back : Dark Grey(RAL7037)
Dimension	446 x 67 x 342 mm (WxDxH)
Weight	7 kg

Package Information	
Carton Box	653 x 112 x 558 mm (WxDxH)
Weight	9 kg

Signal Input	
Input Video Signal	Analog RGB
Video Level	
Sync Type	Analog: 0.7Vp-p
Input Connector	Separate H/V, Composite H/V D-Sub 15 pin VGA analog

Protective Glass	
Material	4 mm protective glass

Power	
Power Input	Auto-sensing 100 to 240VAC, 50 / 60Hz via AC Adapter
Power	
Consumption	Max. 48 Watt, Standby 5 Watt

Environmental	
Operation	0° to 50°C Degree
Storage	-5° to 60°C Degree
Relative Humidity	5~90%, non-condensing
Shock	10G acceleration (11ms duration)
Vibration	5~500Hz 1G RMS random vibration

Options:

AV Input	
Video Input Connectors	S-Video and Composite S-Video, RCA

BNC Input	
Video Input Connectors	S-Video and Composite S-Video, BNC

DVI Input	
Video Input Connectors	DVI digital input DVI-D

DC Power Input	
Input Voltage	12 / 24 / 48-Volt

Audio Input	
Audio Input	Analog audio 2-channel (L/R)
Speaker	3W x 2

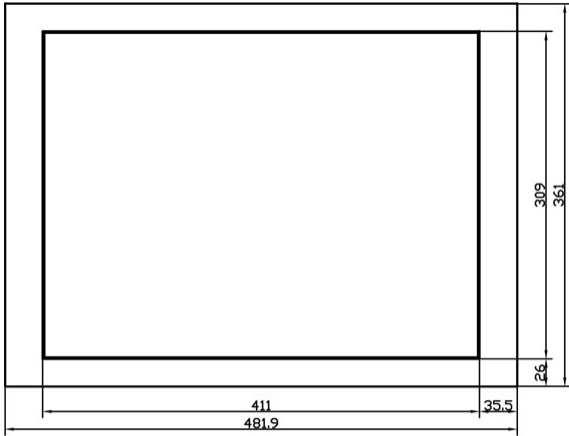
TV Tuner	
Signal Input	NTSC, PAL (I, B, G, H, M, D, N), SECAM (D, K, L, B, G)
Connectors	RF

e-Resistive Touchscreen	
Type	5-Wire Resistive
Interface	USB / Serial
Optical Transmittance	82%±5%
Surface Hardness	≥3H (JIS K5400)
Operating System	Windows 98 / 2000 / ME / XP / NT / CE, DOS, Linux

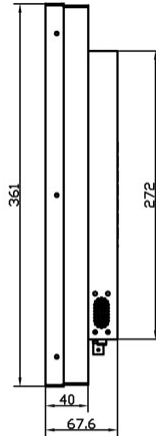


Mechanical Drawing

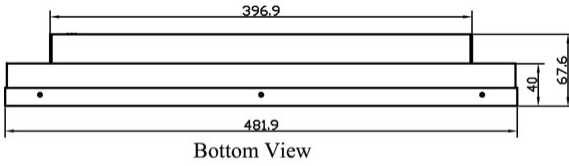
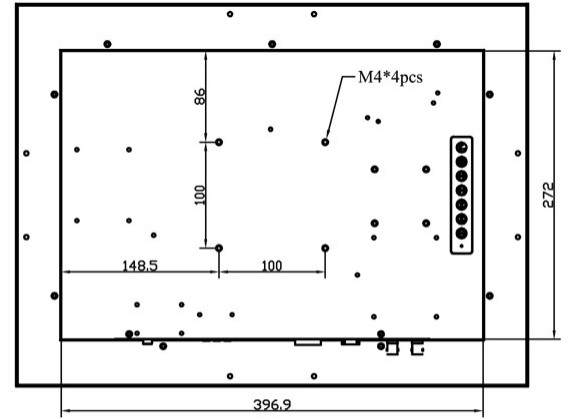
Front View



Side View



Back View



Bottom View

