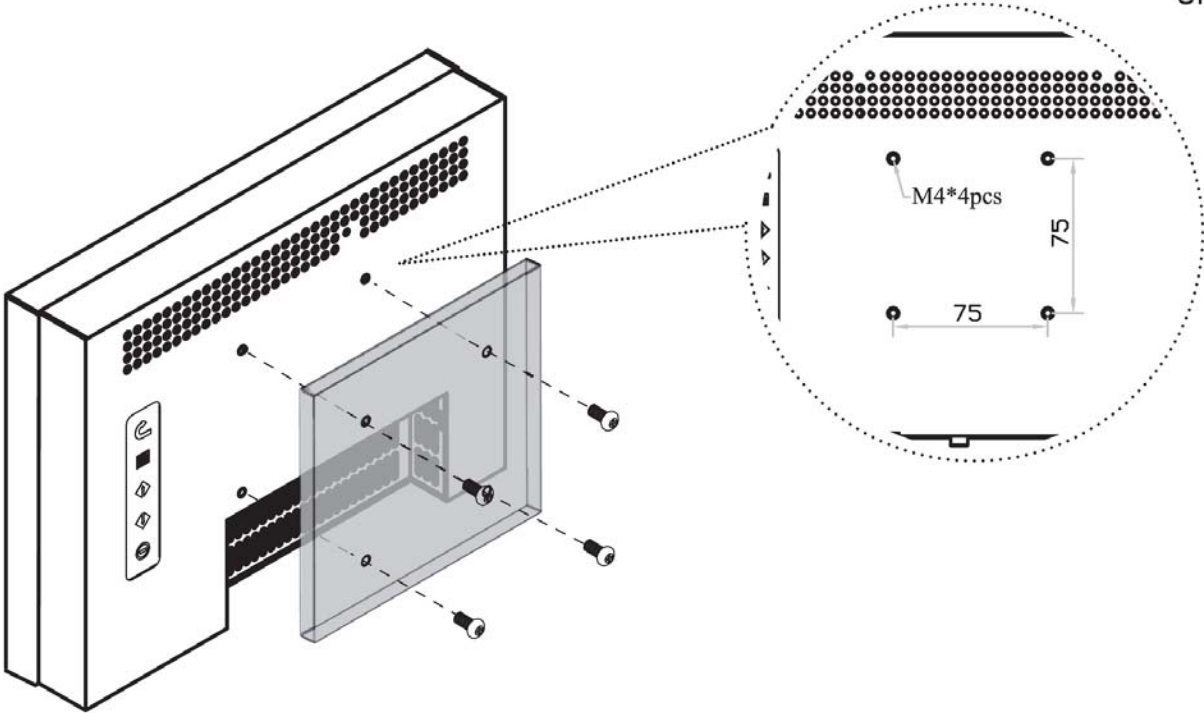


# iDP-1000A Mounting Method

75mm VESA standard

UNIT : mm



## Remarks

- Hardware and M4\*4 pcs for VESA mounting is not provided