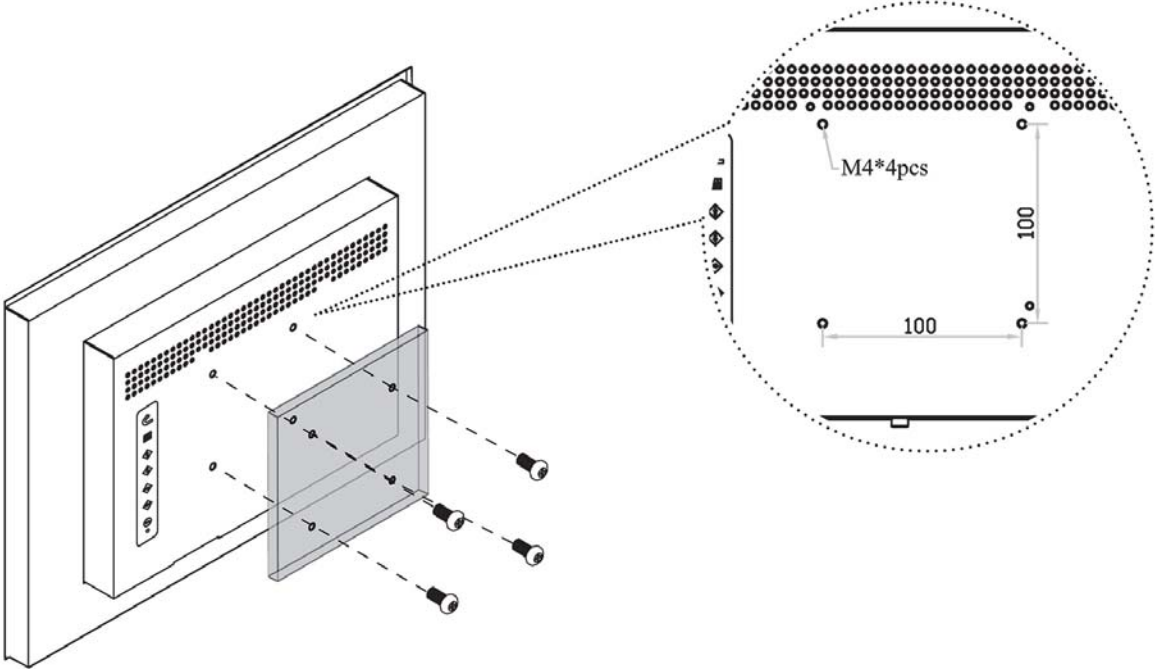


# iDP-1700A Mounting Method

100mm VESA standard

UNIT : mm  
1mm = 0.03937 inch



### Remarks

- Hardware and M4\*4 pcs for VESA mounting is not provided