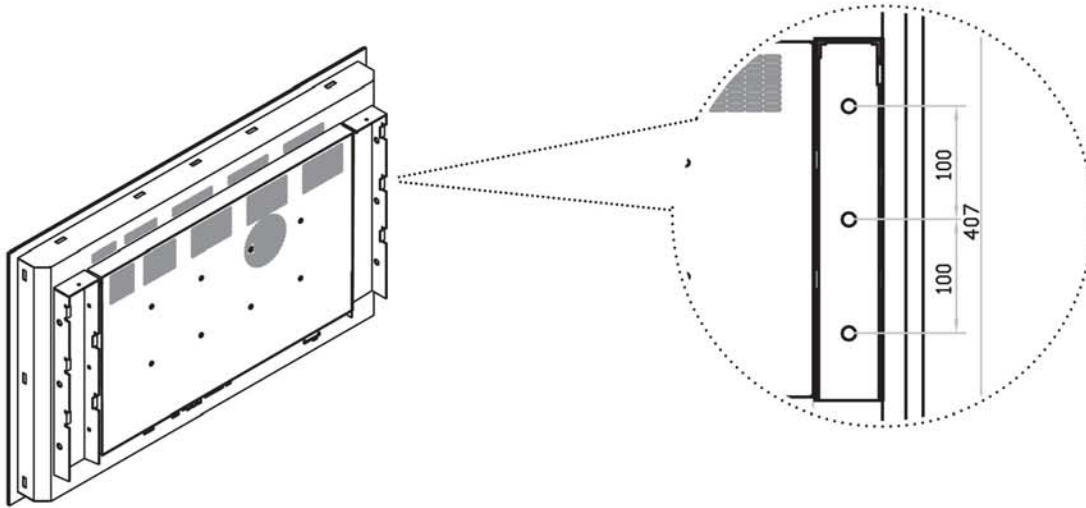


iNAP-2600W Mounting Method

UNIT : mm
1mm = 0.03937 inch

Wall mounting



Remarks

- Hardware and M5*8pcs for Wall mounting is not provided

Mounting bracket A

3



x 15 pcs

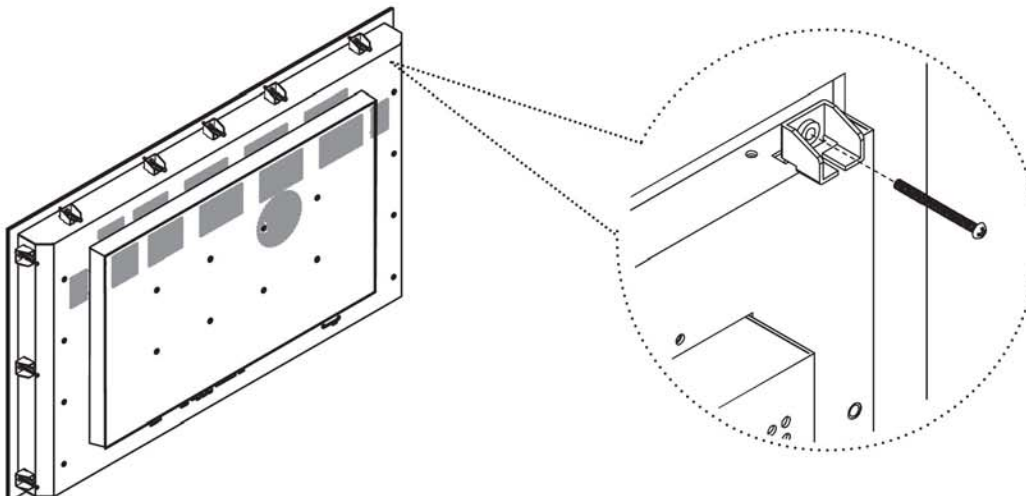
Mounting bracket A

4



x 15 pcs

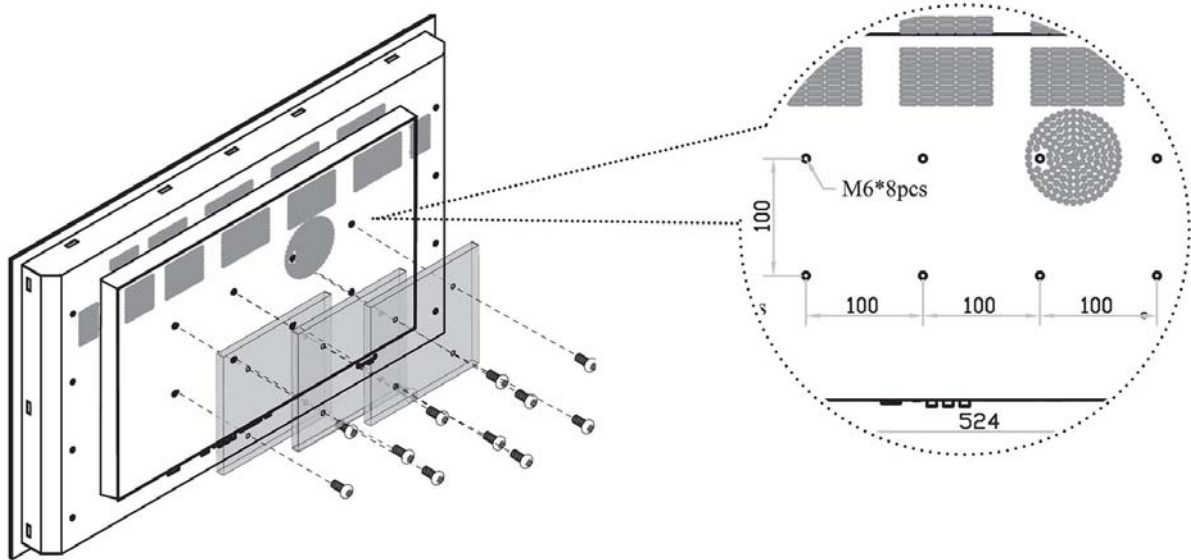
M4*50mm screw



iNAP-2600W Mounting Method

100mm VESA standard

UNIT : mm
1mm = 0.03937 inch



Remarks

- Hardware and M6*8pcs for VESA mounting is not provided