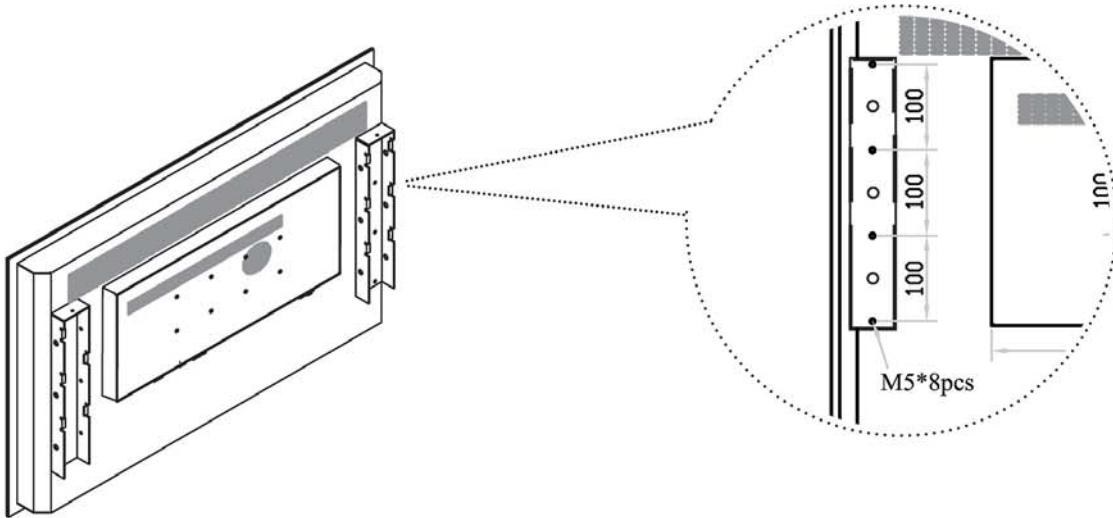


iNAP-4000W Mounting Method

UNIT : mm
1mm = 0.03937 inch

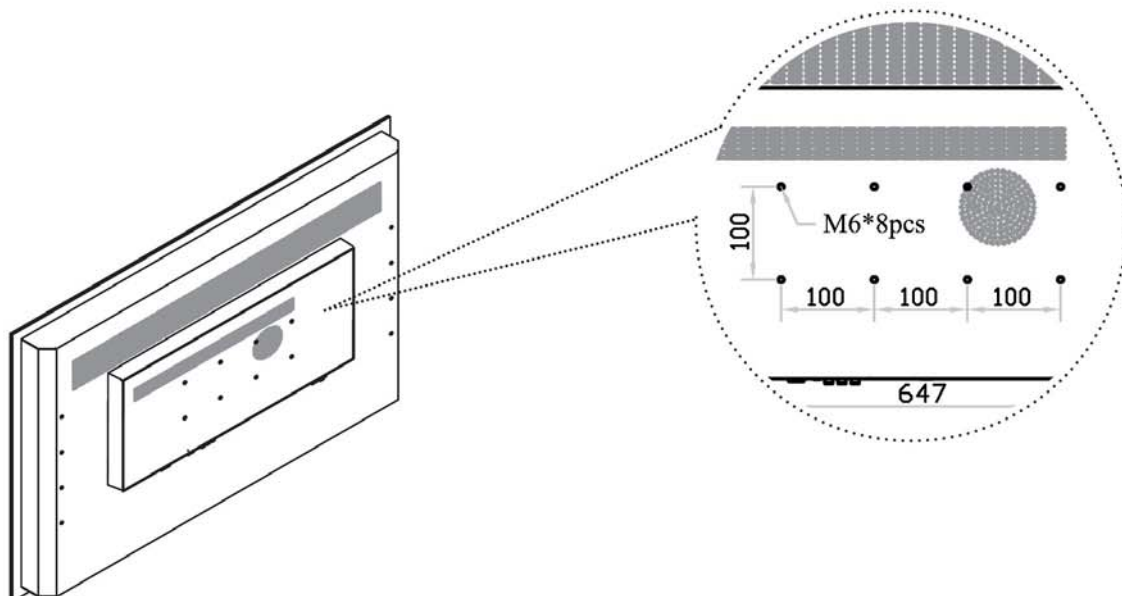
Wall mounting



Remarks

- Hardware and M5*8pcs for Wall mounting is not provided

100mm VESA standard



Remarks

- Hardware and M6*8pcs for VESA mounting is not provided