

# iNAP-600 Mounting Method

## Mounting bracket A

1



x 2 pcs

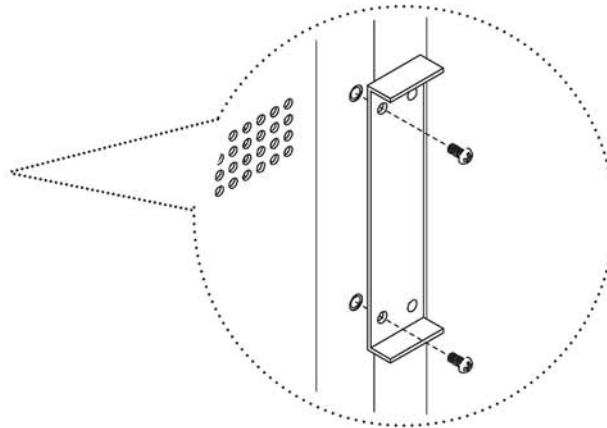
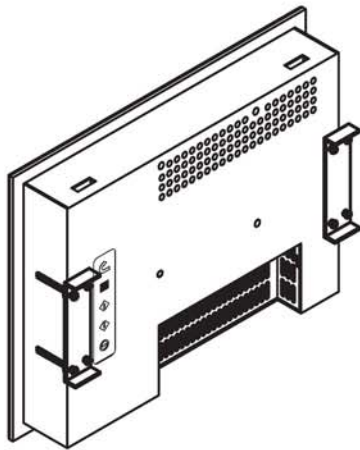
Mounting bracket A

2



x 4 pcs

M4\*6mm screw



## Mounting bracket B

3



x 4 pcs

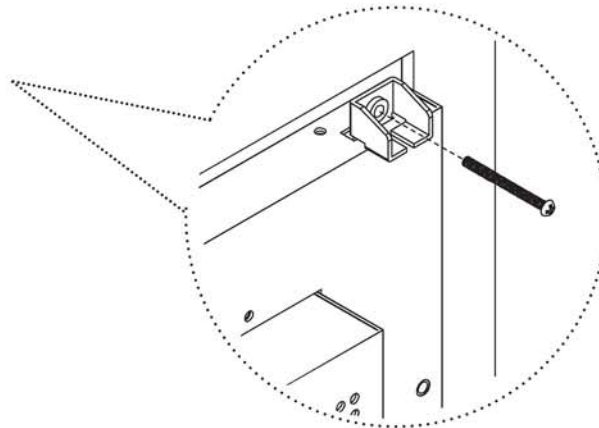
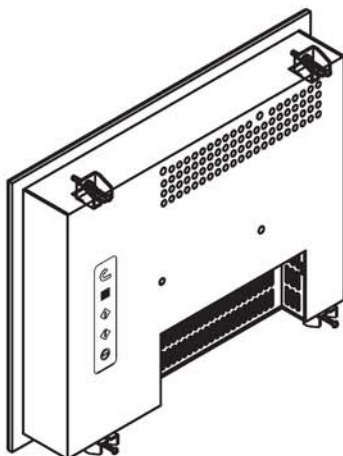
Mounting bracket B

4



x 4 pcs

M4\*35mm screw

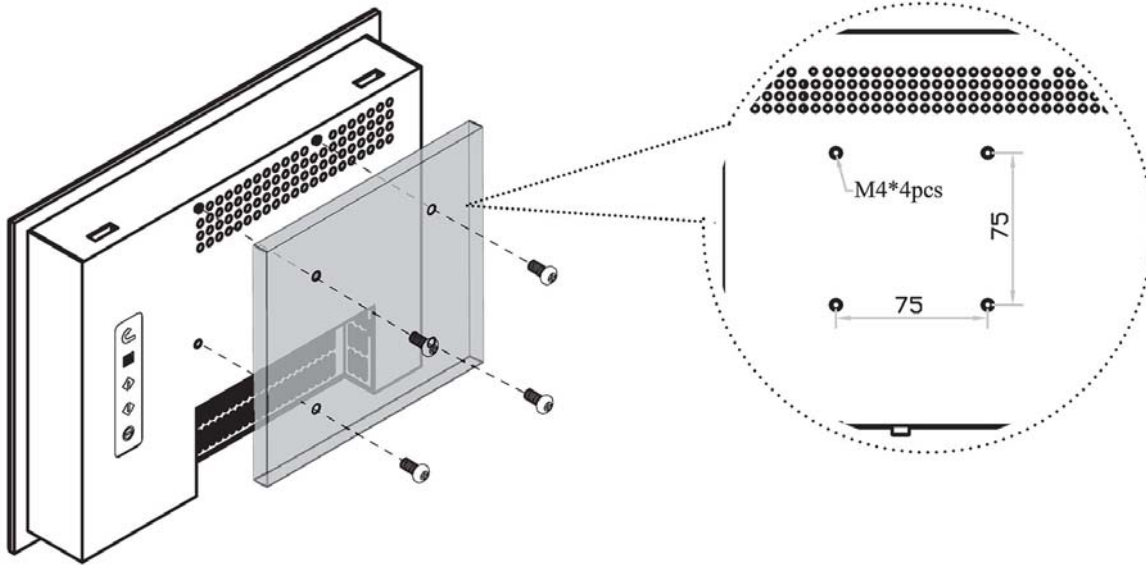




# iNAP-600 Mounting Method

75mm VESA standard

UNIT : mm  
1mm = 0.03937 inch



## Remarks

- Hardware and M4\*4 pcs for VESA mounting is not provided