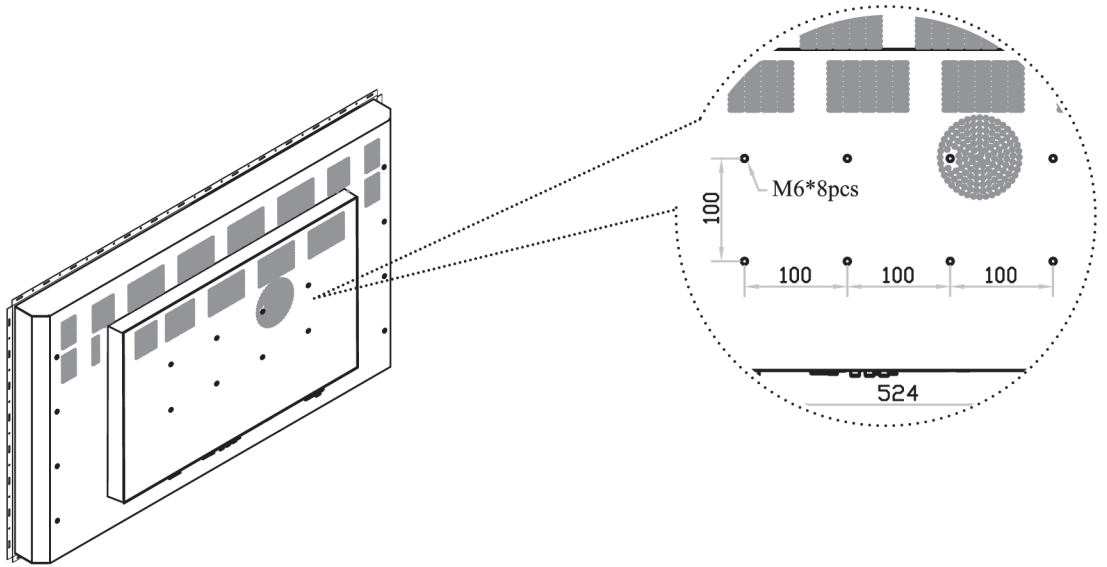


iOP-3200W Mounting Method

UNIT : mm
1mm = 0.03937 inch

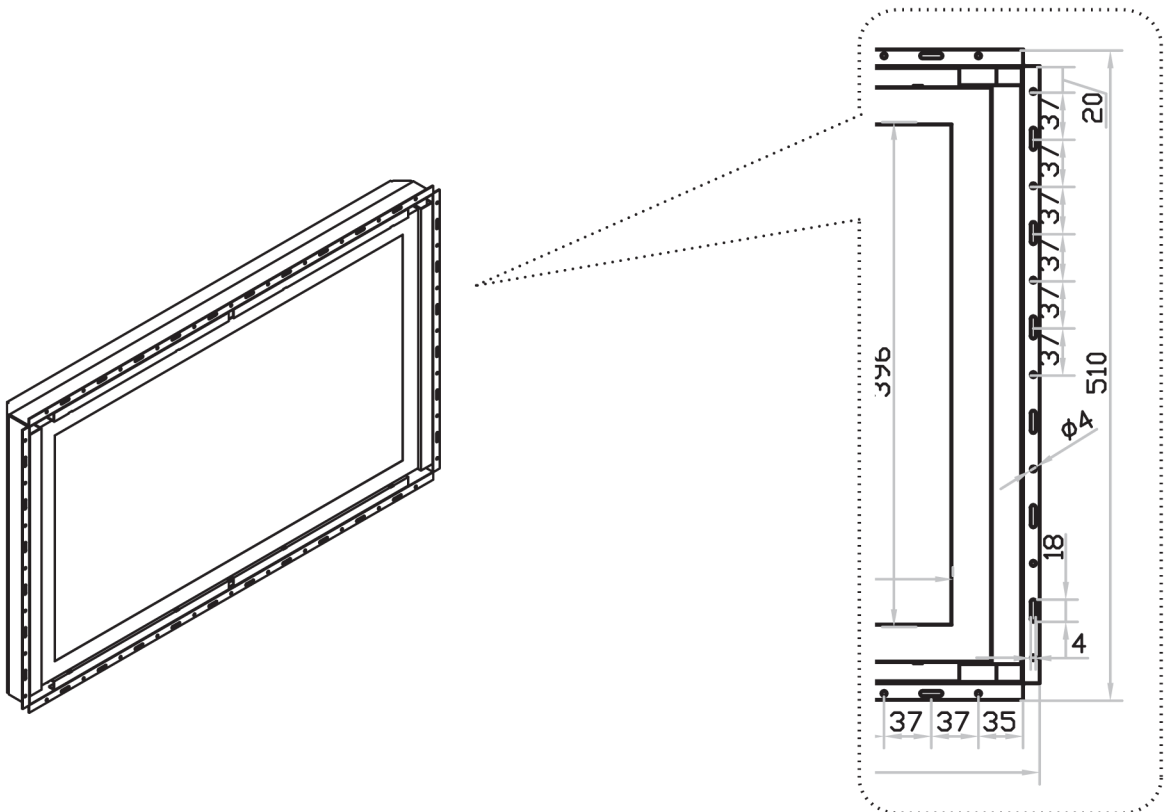
100mm VESA standard



Remarks

- Hardware and M6*8pcs for VESA mounting is not provided

Universal open frame mounting



Remarks

- Hardware for fixing the LCD display is not provided