

VBCW1010-PCT

10.1" Multifunctional Full Flat
Multi-Touch Panel Computer



Key Features:

- Onboard Intel® Atom™ Dual-Core D2550 1.86GHz CPU with Intel® NM10 Chipset
- Dual Intel® 82574L Gigabit Ethernet, 5.1-CH Audio
- 1 VGA, 1 HDMI, 2 COM, 3 USB, 2 LAN, 1 Power Switch, 1 CF Slot, 1 Mini PCIe
- Optional Mini PCIe WiFi Module
- Fanless System & VESA Compliance
- 1 CF, 2 COM, USB, No HDD Support
- Wide Voltage +12V ~ +26V Input, ErP Power
- Timer-Power-On
- Front Side IP65 Dust and Water Proof

Specifications:

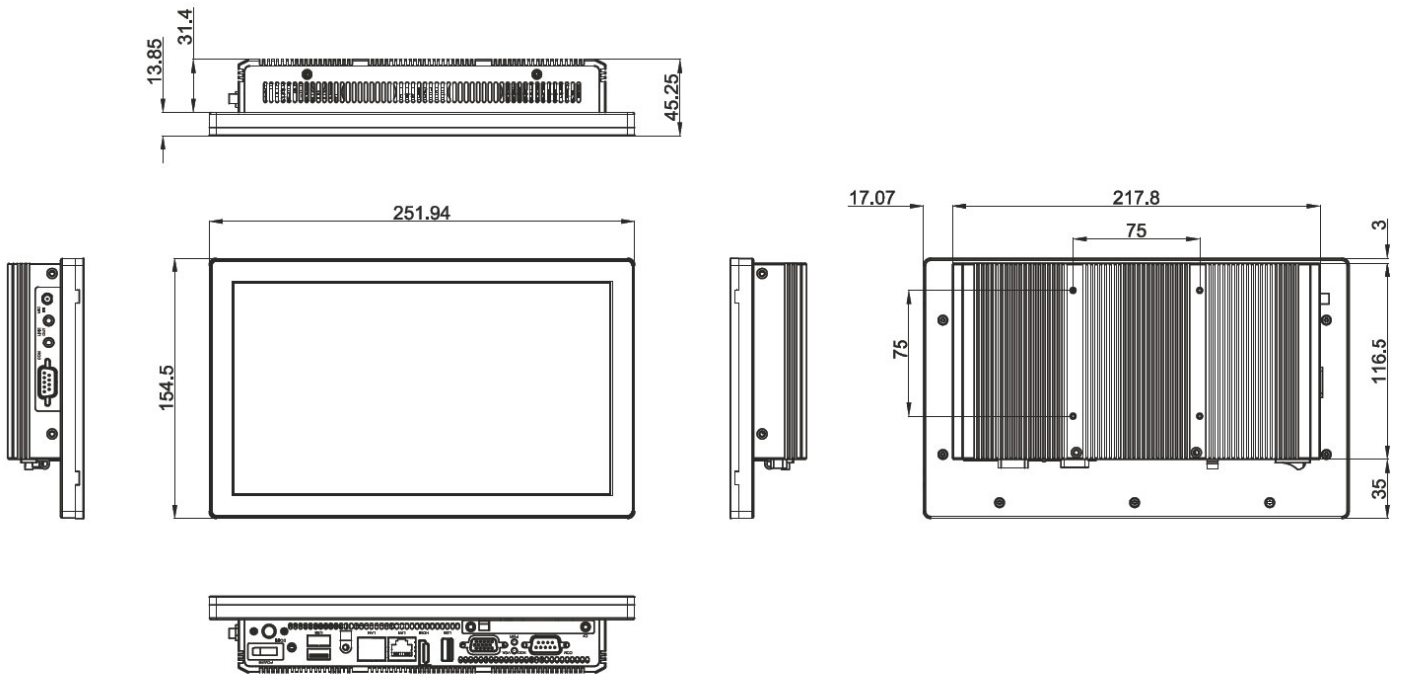
Model	VBCW1010-PCT
• LCD Size	10.1", 16:9
• Resolution	1024 x 600
• Pixel Pitch	0.2175mm (H) x 0.2088mm (V)
• Luminance	200cd/m ²
• Contrast Ratio	500:1
• Viewing Angle	20 (U), 45 (D), 45 (L), 45 (R)
• Response Time	7ms
• Backlight	LED Backlight
• Touch Screen	Projected Capacitive Touch
• Light Transmission	86%
• Touch Interface	USB
System	
• Board	ECM-CDV
• CPU	Intel® Atom™ Dual-Core D2550 1.86GHz CPU
• BIOS	AMI 16Mbit SPI BIOS
• System Chipset	Intel® NM10 Express Chipset
• I/O Chip	Nuvoton W83627DHG-P
• System Memory	One SODIMM Socket Supports Up to 4GB DDR3 800/1066 SDRAM
• SSD	One CF Socket Supports Type I/II Compact Flash Card
• WiFi	Optional Mini PCIe WiFi 802.11b/g/n
• Watchdog Timer	Reset: 1 ~ 255min. and 1sec. or 1min./step
• H/W Status Monitor	Monitoring System Temperature, Voltage, with Auto Throttling Control
• Expansion	1 x Mini PCIe (mSATA Supported)
Rear I/O	
• Serial Port	1 x RS-232, 1 x RS-232/422/485 (Selected by Jumper)
• Ethernet	2 x RJ-45 (Dual Intel® 82574L Gigabit Ethernet)
• Display	1 x HDMI & 1 x VGA
• Audio	1 x Mic-in (Realtek ALC892 Supports 5.1-CH Audio)
• USB	3 x USB 2.0
• Speaker	2 x 2W (or Optional Line-out x 1)



Model: VBCW1010-PCT



Diagram:



Unit: mm

Environment & Mechanical	
• Color	Black (Metal), Front Bezel Silver
• Mounting	Wall Mount/ Stand; VESA 75mm x 75mm
• System Power Requirement	+12 ~ +28V DC Power Input
• Power Adapter	Input: 100 ~ 250VAC/ 47 ~ 63Hz Output: 60W Adapter (12V @ 5A Adapter)
• Operating Temperature	0°C ~ 40°C (32 ~ 104°F)
• Storage Temperature	-10 ~ 60°C (-14 ~ 140°F)
• Relative Humidity	5% ~ 90% Relative Humidity, Non-condensing
• Dimensions (W x D x H)	251.94mm x 154.5mm x 45.25mm 251.94mm x 154.5mm x 66.05mm (w/ HDD)
• Weight	1.2 Kgs

Ordering Information

- 10" TFT Touch Panel PC with Intel® Atom™ D2550 Dual-Core 1.86GHz CPU and Projected Capacitive Touch
- Compact Flash Card Series (xx=Capacity, Capacity Option: 128, 256, 512MB, 1, 2, 4, 8GB)
- Mini PCI-E WiFi 802.11 b/g/n Module w/Antenna, Cable
- Multi-VESA STAND, 75 & 100mm

