

Industrial Touch PANEL PC System

Touch Panel PC 17" SXGA 1280 x 1024 Touch Panel PC system with 5-wire Resistive Touch Screen, IP-65 Compliant Front Panel, VESA Compliance.

Model: VCPC1700-i5



Features:

- 17" SXGA TFT Touch Panel PC
- 5-wire Resistive Touch Screen
- FPC-1706: Intel® Core™ i5-520E 2.4GHz CPU
FPC-1707: Intel® Atom™ D2550 1.86GHz CPU
- VGA, HDMI, Audio, 2 x 2W Speakers
- Dual Gigabit Ethernet, Optional WiFi Module
- 1 Mini PCIe, 2 COM, 5 USB
- Supports 2.5" SATA HDD
- IP-65 Compliant Front Panel
- VESA Compliance

Touch Screen GbE CF 1 COM 2 USB

Wide Voltage VESA IP-65

Specifications:

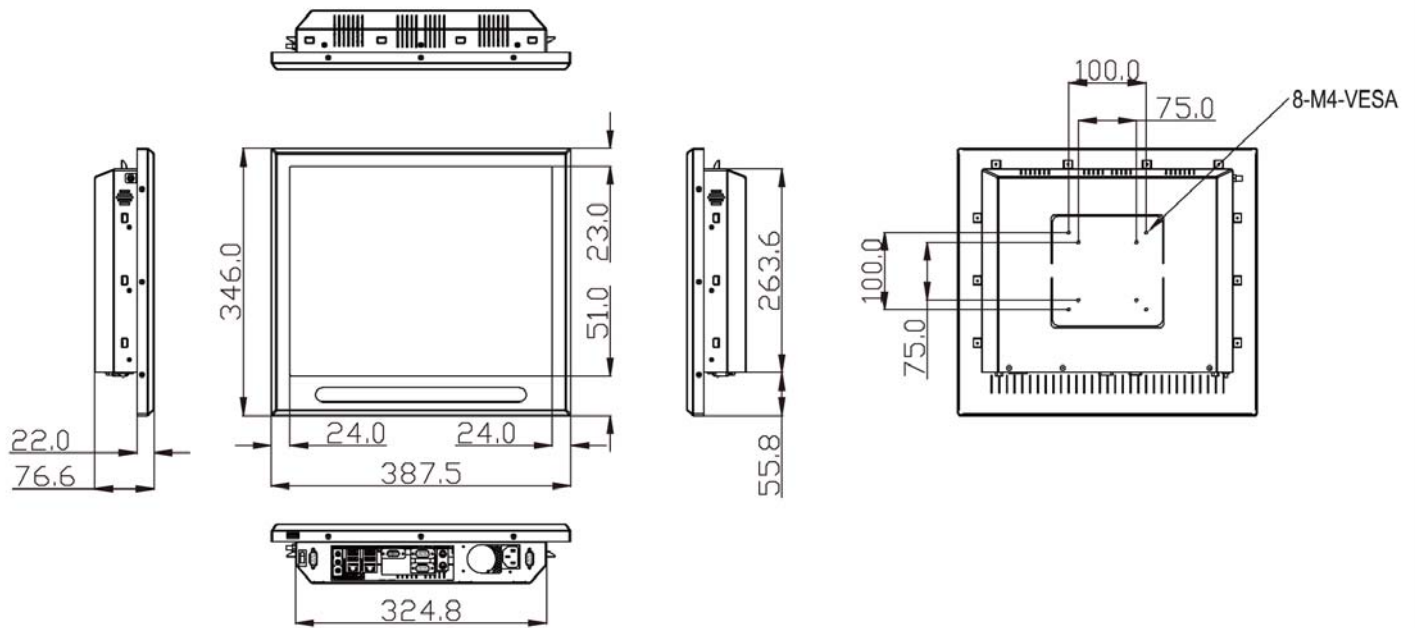
• LCD Size	17", 4:3
• Resolution	1280 x 1024, 16.7M
• Pixel Pitch	0.264mm (H) x 0.264mm (V)
• Luminance	380cd/m2
• Contrast Ratio	1000:1
• Viewing Angle	80 (U), 80 (D), 85 (L), 85 (R)
• Response Time	5ms
• Backlight	4 x CCFL
• Touch Screen	5-wire Resistive
• Light Transmission	80%
• Touch Interface	USB

System	
• Board	EMX-QM57
• CPU	Onboard Intel® Core™ i5-520E 2.4GHz CPU
• Cooling Method	Active CPU Cooler
• System Chipset	Intel® QM57
• I/O Chip	Nuvoton W83667HG-A
• System Memory	Two 204-pin SODIMM Socket Supports Up to 8GB DDR3 800/ 1066MHz
• Hard Driver Bay	1 x 2.5" SATA HDD
• Expansion	1 x Mini PCIe

Rear I/O	
• Serial Port	2 x RS-232
• Ethernet	2 x RJ-45 (Intel® 82577-LM Gigabit Ethernet, 1 x Realtek RTL8111C Gigabit Ethernet)
• VGA	1 x DB-15
• HDMI	1 X HDMI
• Audio	Line-out , Line-in Mic-in
• USB	5 x USB 2.0
• Mouse & K/B	1 x PS/2 KB & Mouse Connector
• Speaker	2 x 2W



Diagram:



Unit: mm

Environment & Mechanical	
• System Fan	1 x System Fan
• Color	Front Silver & Rear Panel Black
• Mounting	Wall/ Stand/ VESA 75mm x 75mm and 100mm x 100mm
• Power Input	100 ~ 240VAC
• Power Output	180 W
• Operating Temperature	0°C ~ 40°C (32°F ~ 104°F)
• Storage Temperature	-10°C ~ 50°C (14°F ~ 122°F)
• Relative Humidity	10% ~ 95% @40c Non-condensing
• Dimensions (W x D x H)	387mm x 346mm x 76.6mm
• Weight	6.14Kgs

