

V Series Open Frame Sunlight Readable TFT LCD

Model: VOPH5200



The VOPH5200 is a Color Active Matrix Liquid Crystal Display with an integral Cold cathode Fluorescent Tube(CCFT) backlight system. The matrix employs a-Si Thin Film Transistor as the active element. It is a V Series type(1) display operating in the Normally Black mode. This TFT-LCD has 52.0 inches diagonally measured active display area with WUXGA resolution (1080 vertical by 1920 horizontal pixel array). Each pixel is divided into Red, Green and Blue sub-pixels or dots which are arranged in vertical stripes. Gray scale or the brightness of the sub-pixel color is determined with a 8-bit gray scale signal for each dot, thus, presenting a palette of up to 16.7 millions color. The VOPH5200 has been designed to apply the interface method that enables low power. Flat Link must be used as a LVDS (Low Voltage Differential Signaling) chip. The VOPH5200 is intended to support applications where thin thickness, low power are critical factors and graphic display are important. In combination with the vertical arrangement of the sub-pixels, the VOPH5200 characteristics provide an excellent flat display for office automation products such as Public information, public transportation and outdoor application where sunlight readability is critical.

V Series type means that has a function of transmissive and reflective mode in a body and it is able to use at indoor or outdoor under dark and sunlight at all.

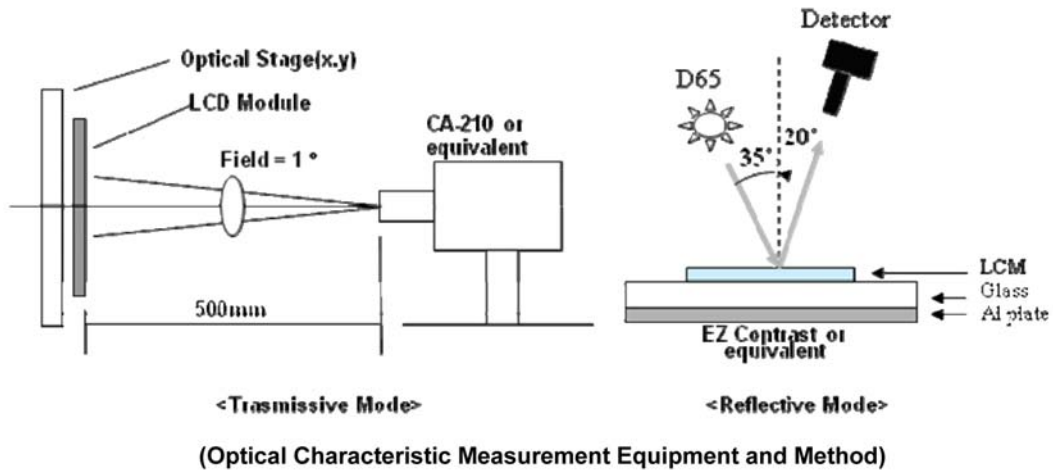
Features:

Active screen size	52.0 inches (132.1 cm) diagonal
Outline Dimension	1192(H) x 688(V) x 62 Max (D) mm (Typ.)
Pixel format	1920 horiz. By 1080 vert. Pixels (RGB stripes arrangement)
Color depth	8-bit , 16.7M colors
Luminance (white)	1340 cd/m2 (Typ.) at center 1 point
Reflectance	2.5 % (Max.)
Power consumption	329.28 Watt at B/L ON, (18.48 Watt at B/L OFF)
Weight	23000 g (Max.)
Display operating mode	Sunlight Readable mode, Normally Black
Surface treatments	UV coating(Max.2%) and Low reflection treatment of the front polarizer
Remarks	RoHS compliance (Pb-Free) Landscape / Portrait type compatible

Optical Specifications

Parameter		Values			Units	Note	
		Min.	Typ.	Max.			
At Indoor	Brightness	1100	1340	-	cd/m2		
	Contrast Ratio	-	2900		-		
	Viewing angle (CR ≥ 10)	Left	-	88	-	degree	
		Right	-	88	-	degree	
		Top	-	88	-	degree	
		Bottom	-	88	-	degree	
Color coordinates	White X-axis	Typ. -0.05	0.289	Typ. +0.05	-		
	White Y-axis		0.311		-		
At 80Klux	Reflectance	-	-	2.5	%		
	Brightness	-	2000	-	cd/m2		
Response time	Rise time + Fall time	-	22	22	msec		

(Ta=25±2 °C, VDD=12.0V, fV=60Hz, Dclk=148.5MHz, IL=6.0mArms)



Mechanical Drawing

