

# Industrial Fanless PANEL PC

Panel mount Resistive Front IP66  
Fanless 15" 1024x768 450 nits, 8th gen. Whisky Lake Core  
i3-8455UE, 2.1GHz, 4GB DDR4, 2.5" 500G HDD Resistive front flat  
2 Years Warranty



**Model: WPC1500-i3-FTR**

## FEATURES:

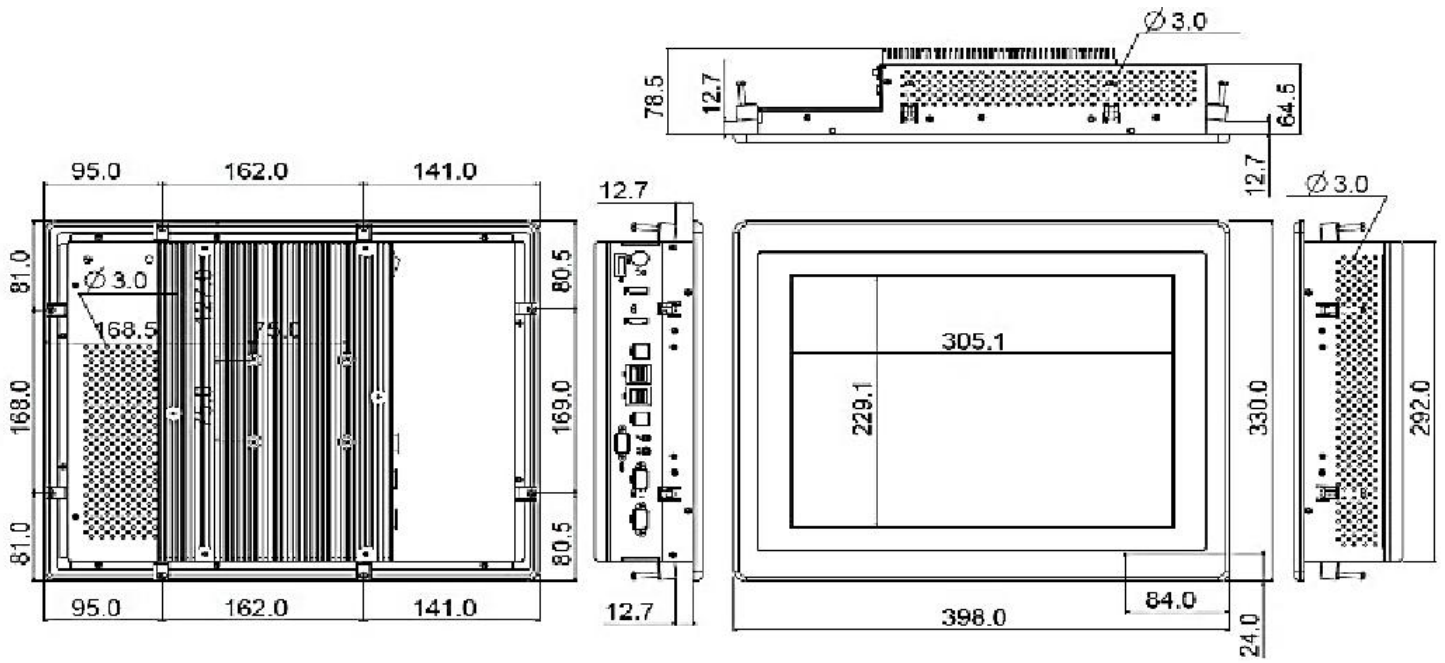
- Intel 8th Generation Core i7/i5/i3 CPU
- 15" 1024x768 LCD 450nits
- Res or P-Cap Touch with Front IP66 Design
- Front Panel Mount Housing
- Vpro Support by CPU
- CE, FCC, VCCI Class B Passed
- Optional WLAN with External Antenna



## SPECIFICATIONS:

<b>Main System</b>	CPU	Intel 8th Gen Whiskey Lake-U Core™ i7/i5/i3 MCP Processor, 15W
	Graphic	Intel UHD Graphics 620
	Memory	Two 2400MHz DDR4 SODIMM socket support Dual Channel, up to 32GB
	OS Support	Win 10 (64 bit)
<b>Display</b>	Size	15", 4:3
	Resolution (pixel)	1024 x 768 (XGA)
	Number of Colors	16.2M colors
	View Angle (H/V)	160(H) / 160(V)
	Brightness(cd/m <sup>2</sup> , nit)	450 nits
	Contrast Ratio	800:1 (Typ)
<b>Touch Panel</b>	Type	Full flat resistive touch panel
	Light Transmission	80 ± 5%
	Hardness	>=3H
	Lifetime	35M times
<b>Storage &amp; Expansion</b>	Storage	2.5" SATA HDD drive bay x 1 (with anti-vibration mechanism) M.2 (KEY M, 2242/2260/2280) SSD X 1
	Expansion	M.2 (Key E, 2230) for Wireless x 1, M.2 (Key B, 3042) with USB2.0 and SIM for 4G x 1
<b>I/O Ports</b>	USB	USB 3.1 x 4
	COM	2 X RS-232, 1 X RS-232/422/485
	LAN	2 x RJ-45
	Audio / Video	3.5mm phone jack connector x 2 (Line-out, Mic-in)/HDMI x 1, DP x 1
	Control Keys	Rear bottom: Power on /off
<b>Power</b>	Power input	DC19~28V input
	Power adapter	TBD (19VDC Output PSU with PSE)
<b>Environmental</b>	Temperature	Operating Temperature: 0~50°C (19V DC, air flow cooling) Storage Temperature: -20~65°C
	Humidity	Operating & Storage: 10 ~ 90%, non-condensing
	Water/Dust resistance	IP66 at front
<b>Mechanical Characteristics</b>	Housing	Front bezel is Aluminum, others are SECC with black coating
	Dimensions (Net: mm)	398 (H) x 330 (V) x 86 (T)
	Weights (Net: kg)	TBD kg
	Mounting	Panel mount, Optional Open frame / Chassis, VESA (75x75)
<b>Certification</b>	CE/ FCC/ VCCI Class B	

**MECHANICAL DRAWING:**



<b>Major Options</b>	
Add On Parts	1. Wireless and BT kit 2. 2.5" SSD or M.2 SSD 3. Stainless steel front bezel 4. Silver front bezel 5. TPM 2.0
Add On Cable	1. DC input power plug