

Wall Mount

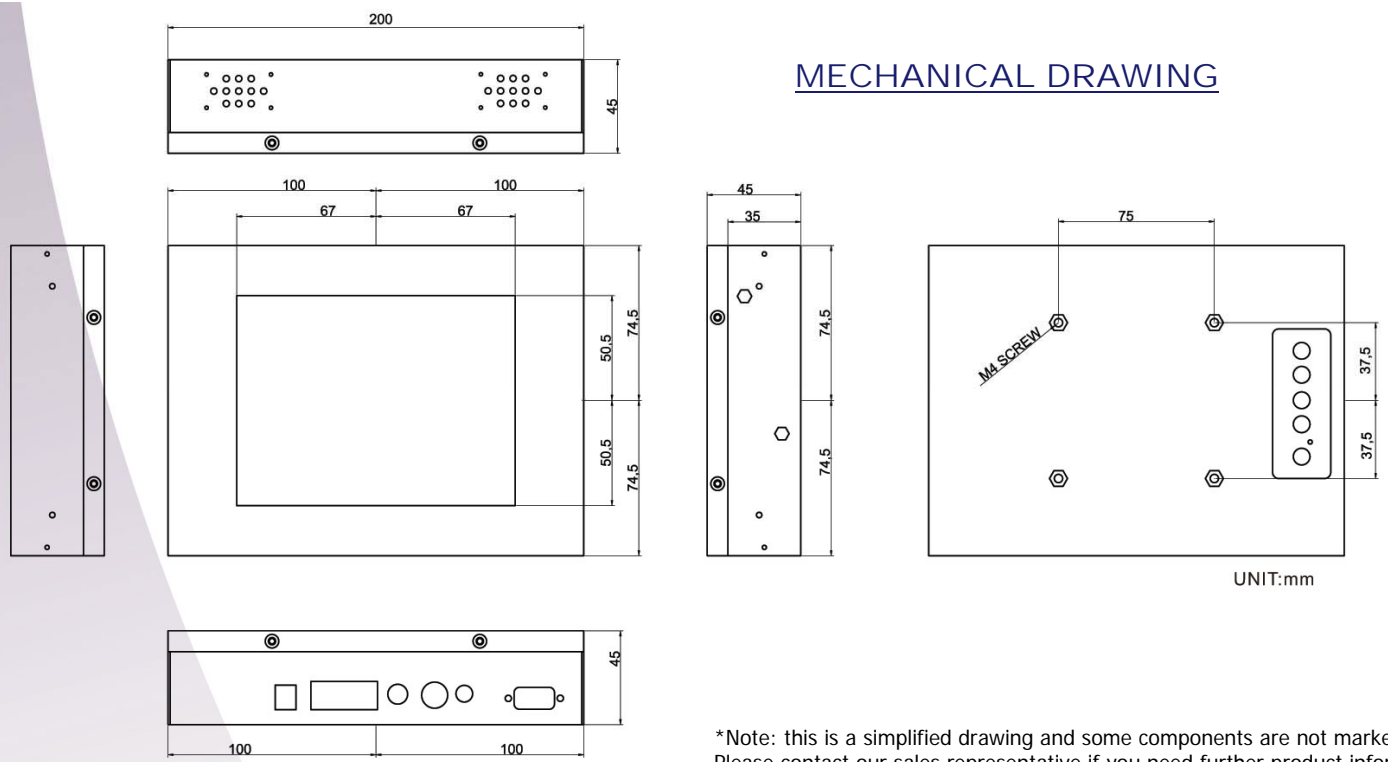


Specifications	
Model Name	WCH6500A1
Viewable Size image	6.5"
Active Display Area (mm)	132.48(H)x99.36(V)
Pixel Pitch(mm)	0.207(H)x0.207(V)
Number of Pixels	640x480
Contrast Ratio	600:1(typ.)
Display Colors	262,144(6bit/colors)
Brightness(cd/m)	700
Viewing Angle(CR>=10)	-80~80(H);-70~70(V)(typ.)
Synchronization Range Horizontal/Vertical	31.5~37.5KHz/60~75Hz
Recommended Resolution	640x480@60Hz, 75Hz
Signal Connector	15 pin D-Sub
Power Source	12V DC in, with External AC to DC Adapter (100~240V AC)
Power Consumption	15W typical, normal operation
Power Management	VESA DPMS Compliant
Plug & Play	VESA DDC 1/2B
Optional Video Input	S-Video, Composite
Optional DVI Input	No
Optional Touch Screen	Resistive



Remarks: WCH6500A1 series= VGA input only
WCH6500A1AV series= VGA+Video Input

MECHANICAL DRAWING



*Note: this is a simplified drawing and some components are not marked in detail. Please contact our sales representative if you need further product information.

