

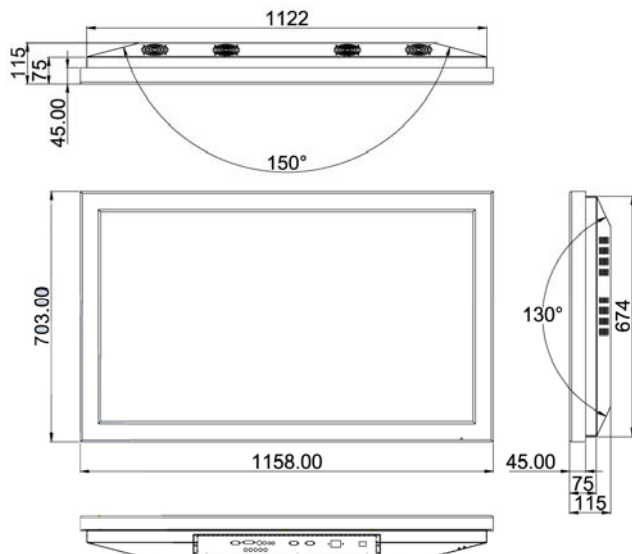
Sunlight Readable LCD



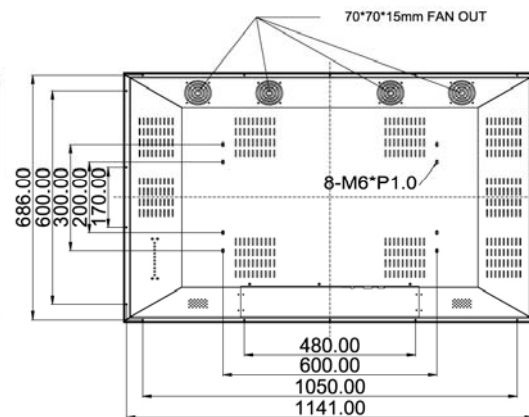
Specifications				
Model Name	WCHHW4700L1			
Viewable Size image	47"(16:9)			
Active Display Area (mm)	1039.68(H) x 584.82(V)			
Pixel Pitch(mm)	0.5415 x 0.5415			
Number of Pixels	1920 x 1080			
Contrast Ratio	1000:1(typ.)			
Display Colors	16.7M(8bit/colors)			
Brightness(cd/m)	600			
Viewing Angle(CR>=10)	-89~89(H);-89~89(V)			
Synchronization Range Horizontal/Vertical	31.5~60KHz/60~75Hz			
Recommended Resolution	1920x1080@60Hz			
Signal Connector	15 pin D-Sub			
Power Source	AC100~240V, Universal, 10%			
Power Consumption	220W typical, normal operation			
Power Management	VESA DPMS Compliant			
Plug & Play	VESA DDC 1/2B			
Optional Video Input	S-Video, Composite			
Optional DVI Input	Yes			
Optional Touch Screen	No			
Optional protection glass (reflection rate<0.5%)	Optional			
Operation Temperature	0° C~50° C			
Outdoor readability				
Ambient light(nit)	Brightness measure Angle	10,000	30,000	80,000
rightness gain(BL0n)(nit)	35°	600	780	1130
Reflectance(net)(%)	S-Video, Composite	1.00%	0.90%	0.70%



Remarks: WCHHW4700L1 series= VGA input only
WCHHW4700L1AV series= VGA+Video Input



MECHANICAL DRAWING



UNIT:mm