

IP65 FRONT PANEL MOUNT (Metal-5mm)

5.7" High Brightness LCD Monitor, 640 x 480, 900nits
VGA Input, Rear OSD, including rear screw/Clamp/
VESA Mount

Model: CPM0570HBIP



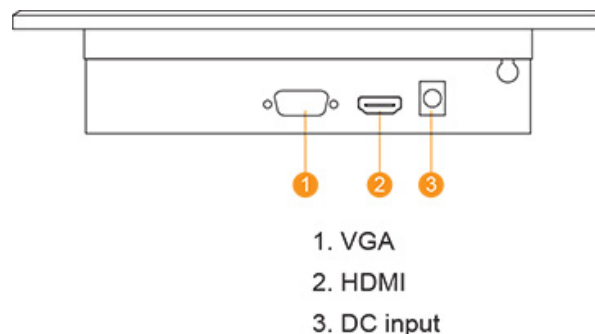
FEATURES:

- IP65 Front Panel Mount (Metal-5mm)
- VGA Input, Rear OSD
- Rear Screw/Clamp/VESA Mount
- Resolution: 640x480
- Brightness: 900nits



SPECIFICATIONS:

Panel Size	5.7"
Active Display Area(mm)	115.2 (H) x 86.4 (V)
Resolution	640 x 480
Brightness(cd/m2)	900 (Typical)
Contrast Ratio	300:1 (Typical)
Viewing Angles(CR>=10 L/R/U/D)	-70~70(H) ; -40~60(V)
Display Colors	262K (6 bits/color)
Standard Input Signal	1 x VGA (D-sub 15) 1 x HDMI (Type-A)
Touch Screen(Optional-1)	Resistive Touch Protective Glass
Touch Interface	USB / RS232
Audio / Speakers (Optional)*	Audio line in (3.5mm) + Speaker x2
OSD	5 Keys: -, +, Power, Esc, Enter
Power Input	12V DC input (2.5ψ) with external AC-DC Adapter (100V~240V)
Power Consumption	15W typical, Normal operation
Operating temperature	0~50°C
Storage Temperature	-10~60°C
Accessories	Power AC-DC Adapter(100V~240V) VGA cable (1.8m) HDMI cable (2m)



I/O Optional	
Optional 1*	1 x VGA (D-sub 15) 1 x HDMI (Type-A) 1 x DVI-D

MECHANICAL DRAWING:

