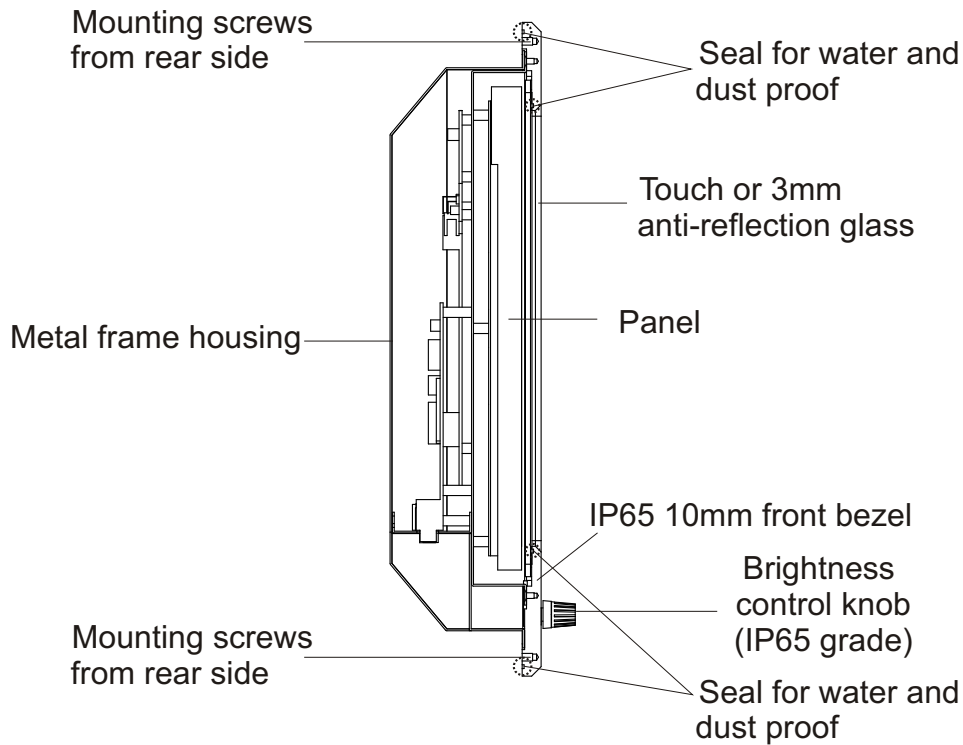


# Mounting Guide

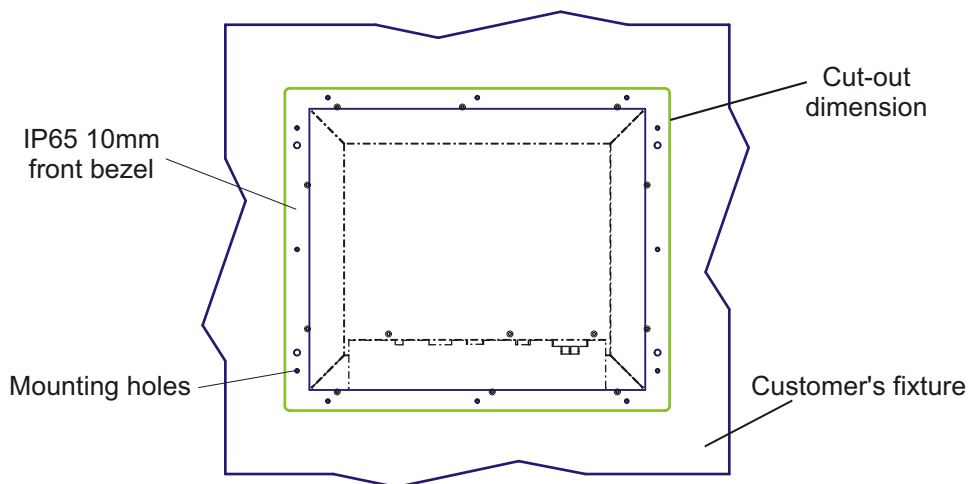
## For Marine Series Product

### Marine Series LCD Display and Panel PC

- IP65 front bezel for panel (flush) mounting
- Use M6 x 30mm black bolts with nuts for front side screw, and M4 x 15mm black bolts for rear side screw.
- Customers can fix the Marine products following the mounting guide step by step with their console.



**SIDE VIEW**

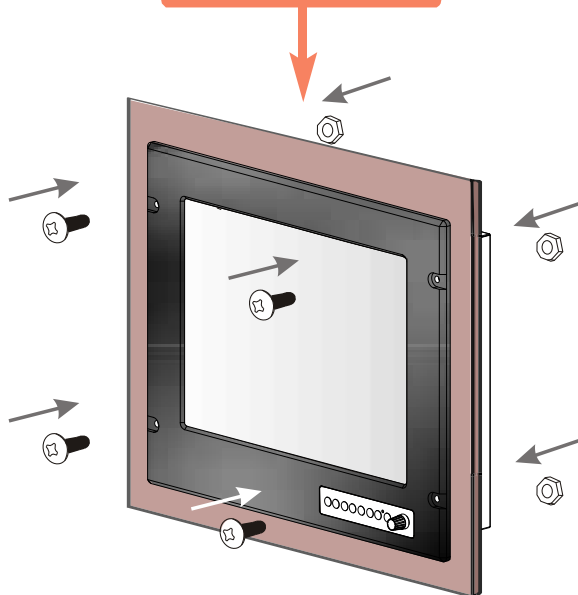


**REAR VIEW**

# Mounting Guide

## For Marine Series Product

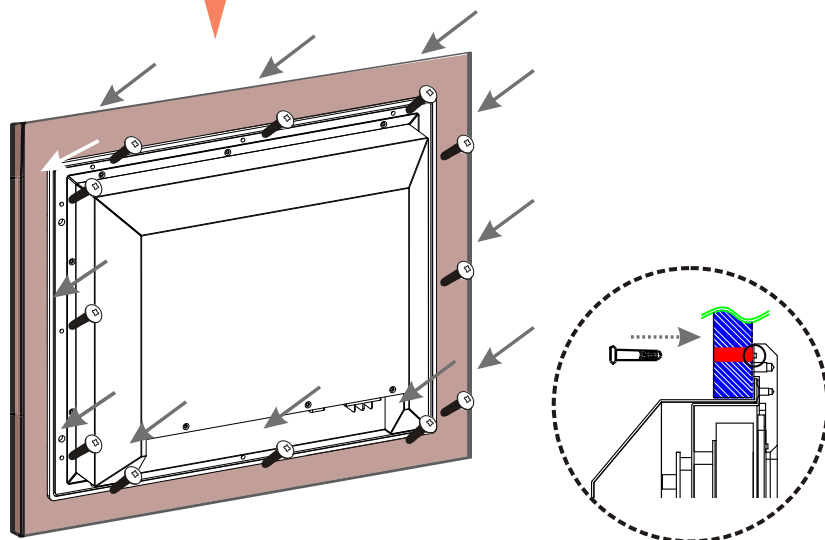
### STEP 1



Put Marine Series Product on the fixture (console) from the front, and screw by four M6 x 30 mm black bolts with nuts.  
(Cut-out dimension and mounting holes based on drawing)

(Front View)

### STEP 2



Use M4x 15mm bolts to drill through the fixture into the mounting holes on the rear side of IP65 front bezel.  
(The quantity of mounting screws based on drawing)

(Side View)

# Mounting Guide

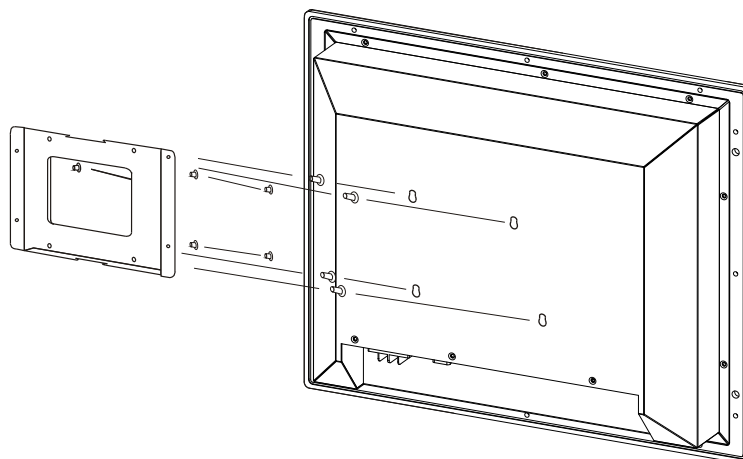
For Marine Series Product

**STEP 3**



**Finished**

\* *VESA Mount for special request*



**WALL MOUNTING**

-mount with VESA mount kits  
and then mounted into wall.