

10.4" Intel Platform Marine Panel PC



Model no.:
WMARC1040M2-I

SBC Specifications

- Processor : Socket 479 for Intel Pentium M/Celeron M up to 1.73 GHz (Default Celeron M 1GHz Fanless)
- BIOS : Award 4Mbit
- System Chipset : Intel 855GME/ICH4
- Memory Slot : 1 x 184-pin DDR DIM, max 1GB (Default 512MB)
- Graphic Chipset : Intel 855GME integrated (64MB shared)
- IDE : 2 x IDE(UDMA33/66/100)
- Compact Flash : 1 x Type I/II CF Socket (Optional)
- KB / Mouse Connector : 2 x PS/2
- Ethernet : Dual Realtek RTL81110SC Gigabyte Ethernet
- VGA : 1 x VGA Connector
- Audio : Built-in Audio + AC97 Codec
- USB Ports : 6 x USB (4x USB on backside I/O)
- Serial Ports : 3 x RS232, (1 is optional), 1 x RS232/422/485
- Hard Drive : 3.5" 80GB
- Expansion slot : 1 x PCI, 1 x Mini PCI

Certifications and Approvals

- CE, FCC

Power Specification

- Power Supply Options : 9 to 36 V DC to DC power supply w/ Terminals Block (Default)
- Power Consumption : 65 W typical, normal operation

Mechanical and Environmental

- Mechanical Mounting : Panel (Flush) mount with IP65*, VESA Bracket mounting
- Operating Temperature : -10 to 55 deg.C(-20 to 60 deg.C for optional heating)
- Operating Humidity : 5% to 95% (non condensing)
- Anti-Vibration : 5Hz~500Hz / IGrms/3 Axis
- Anti-Shock : 15G, 11ms duration
- *SAW touch for IP54

Input/Output Connectors

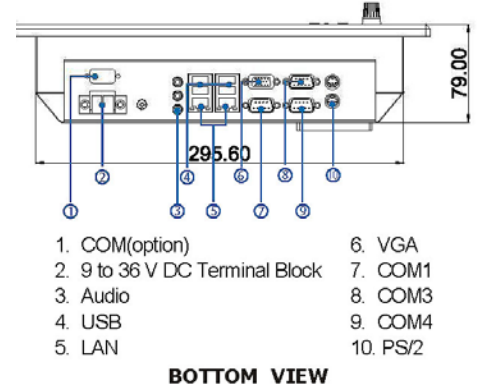
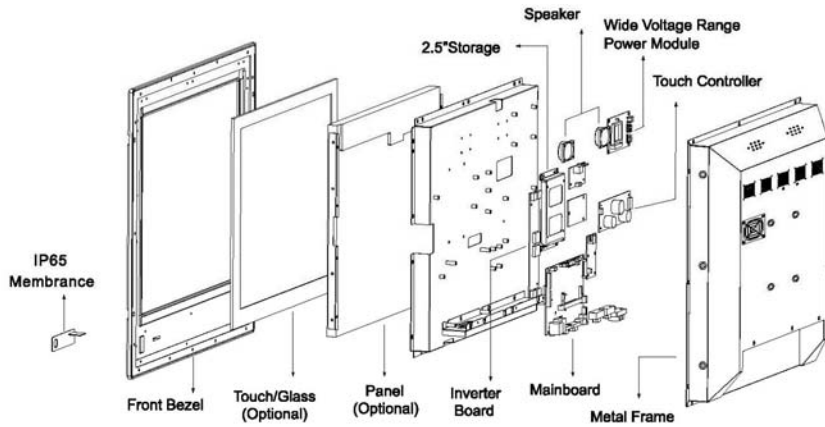
- Ethernet LAN : 2 x RJ45-10/100 Mbps
- Keyboard / Mouse : 2 x PS/2
- COM : 2 x RS232, 1 x RS232/422/485 9P DSUB(male)
- USB : 4 x USB Type-A receptable
- RGB Out : 1 x VGA (female)
- Audio : 1 x Audio Jack (Line-out, Line-in, Micro In)
- DC Power : 1 x DC Terminal block

Available Options

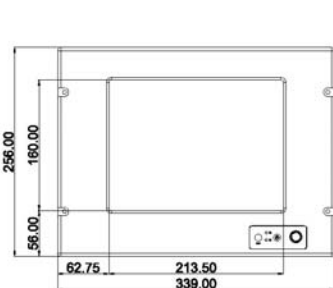
- Touch Screen Options : SAW, 5 Wire Resistive
- AR Safety Glass Option : 3mm Anti-reflective protection glass
- Transflective Options : Yes (Enhance Visibility)
- Bracket and Stand Options : Yes (One robust bracket can adjust from -10 to 30 deg.)

TFT Characteristics

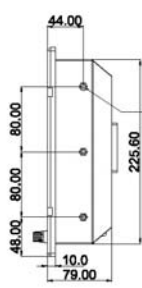
- Pixel Number : 800 x 600
- Pixel Pitch(R&B) : 0.240 (H) x 0.240 (V) mm
- Contrast Ratio : 500:1(typ.)
- Light Intensity : 400 cd/m2 (typ.)
- Viewable Angle : -70~70 (H);-60~50 (V)
- Active Display Area : 211.2 (H) x 158.4 (V) mm
- Max Colors : 16.7M (8bit/colors)



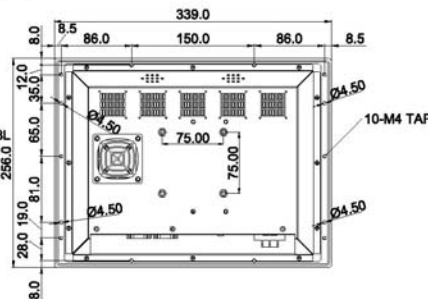
Modularized Construction



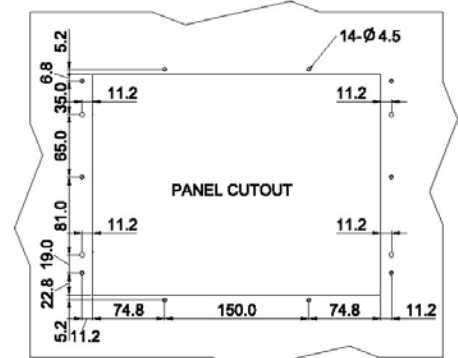
FRONT VIEW



SIDE VIEW



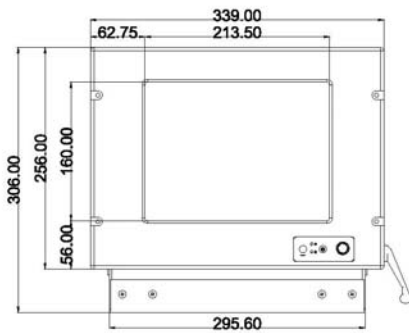
BACK VIEW



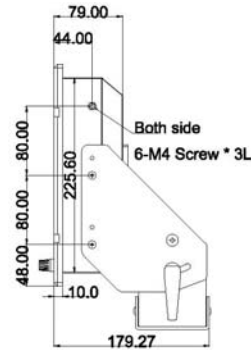
All Dimensions are ±0.5mm

10.4" Intel Platform Marine Panel PC

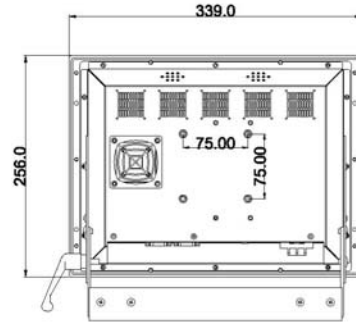
Mechanical Design with Robust Bracket (Options)



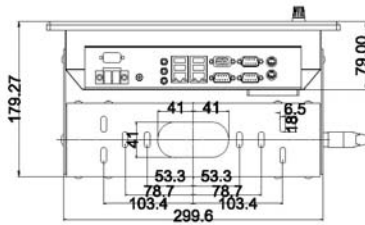
FRONT VIEW



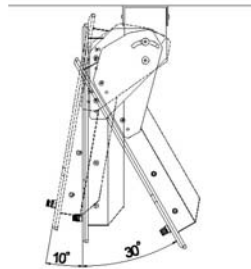
SIDE VIEW



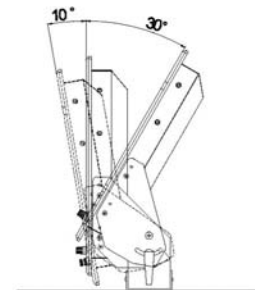
BACK VIEW



BOTTOM VIEW

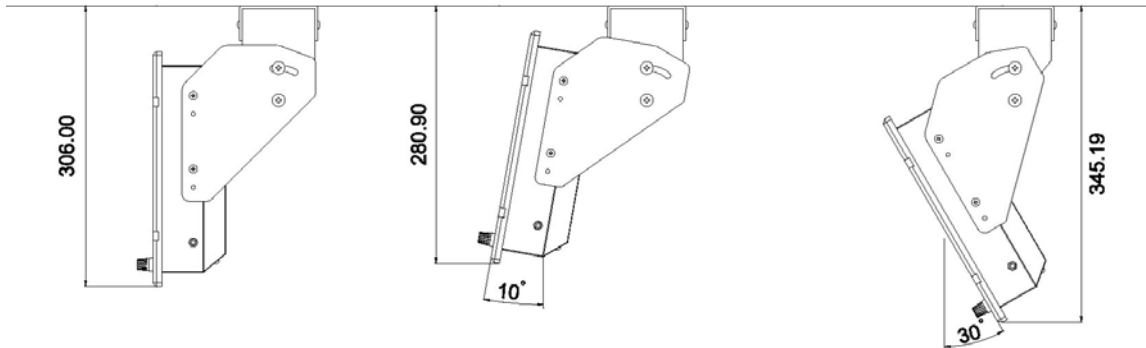


ROOF MOUNT

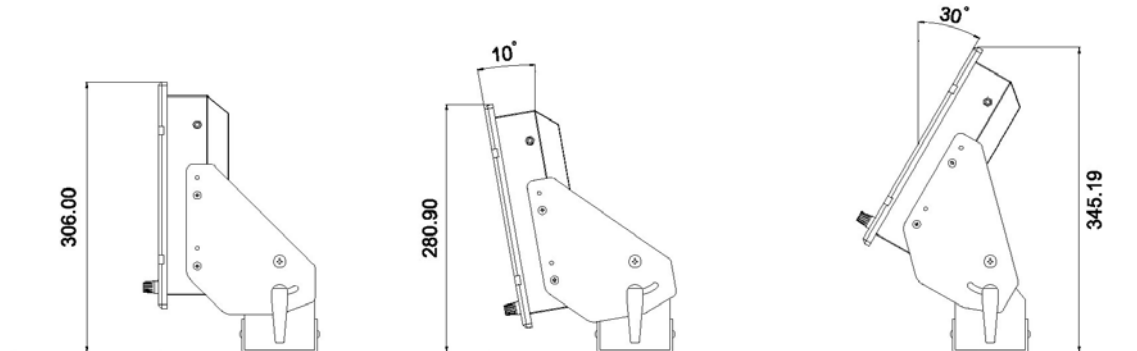


STAND ANGLE

Roof Mount



Stand Angle



★ Note: this is a simplified drawing and some components are not marked in detail. Please contact our sales representative if you need further product information.

Certification and Approvals : CE, FCC

All Dimensions are $\pm 0.5\text{mm}$



i-Tech Company LLC
TOLL FREE: (888) 483-2418 • EMAIL: info@itechlcd.com • WEB: www.iTechLCD.com