

12.1" High Brightness Intel Platform Marine Panel PC



Model no.:
WMARC1200M4-I

SBC Specifications

Processor	: Socket 479 for Intel Pentium M/Celeron M up to 1.73 GHz (Default Celeron M 1GHz Fanless)
BIOS	: Award 4Mbit
System Chipset	: Intel 855GME/ICH4
Memory Slot	: 1 x 184-pin DDR DIM, max 1GB (Default 512MB)
Graphic Chipset	: Intel 855GME integrated (64MB shared)
IDE	: 2 x IDE (UDMA33/66/100)
Compact Flash	: 1 x Type I/II CF Socket (Optional)
KB / Mouse Connector	: 2 x PS/2
Ethernet	: Dual Realtek RTL81110SC Gigabyte Ethernet
VGA	: 1 x VGA Connector
Audio	: Built-in Audio + AC97 Codec
USB Ports	: 6 x USB (4x USB on backside I/O)
Serial Ports	: 3 x RS232, (1 is optional), 1 x RS232/422/485
Hard Drive	: 3.5" 80GB
Expansion slot	: 1 x PCI, 1 x Mini PCI

Certifications and Approvals

- CE, FCC

Power Specification

Power Supply Options	: 9 to 36 V DC to DC power supply w/ Terminal Block (Default), 90 to 265V AC power supply
Power Consumption	: 99 W typical, normal operation

Mechanical and Environmental

Mechanical Mounting	: Panel (Flush) mount with IP65*, VESA Bracket mounting
Operating Temperature	: -10 to 55 deg.C (-20 to 60 deg.C for optional heating)
Operating Humidity	: 5% to 95% (non condensing)
Anti-Vibration	: 5Hz~500Hz / IGrms/3 Axis
Anti-Shock	: 15G, 11ms duration
*SAW touch for IP54	

Input/Output Connectors

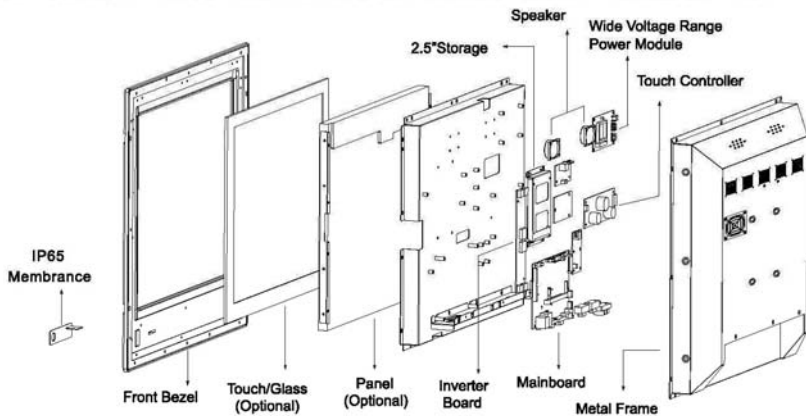
Ethernet LAN	: 2 x RJ45-10/100/1000 Mbps
Keyboard / Mouse	: 2 x PS/2
COM	: 2 x RS232, 1 x RS232/422/485 9P DSUB(male)
USB	: 4 x USB Type-A receptable
RGB Out	: 1 x VGA (female)
Audio	: 1 x Audio Jack (Line-out, Line-in, Micro In)
DC Power	: 1 x DC Terminal block
AC Power	: 1 x Std. IEC Inlet (Option)

Available Options

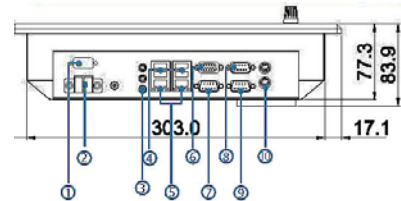
Touch Screen Options	: SAW, 5 Wire Resistive
AR Safety Glass Option	: 3mm Anti-reflective protection glass
AC Power Options	: 90 to 265 V AC power input
Bracket and Stand Options	: Yes (One robust bracket can adjust from -10 to 30 deg.)

TFT Characteristics

Pixel Number	: 1024 x 768
Pixel Pitch(R&B)	: 0.240 (H) x 0.240 (V) mm
Contrast Ratio	: 700:1(typ.)
Light Intensity	: 1000 cd/m2 (typ.)
Viewable Angle	: -60~60 (H); -75~45 (V)
Active Display Area	: 245.76 (H) x 184.32 (V) mm
Max Colors	: 16.7M (8bit/colors)

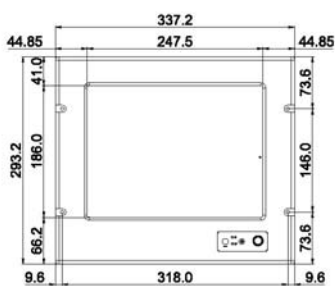


Modularized Construction

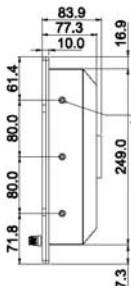


1. COM(option)
2. 9 to 36 V DC Terminal Block
3. Audio
4. USB
5. LAN
6. VGA
7. COM1
8. COM3
9. COM4
10. PS/2

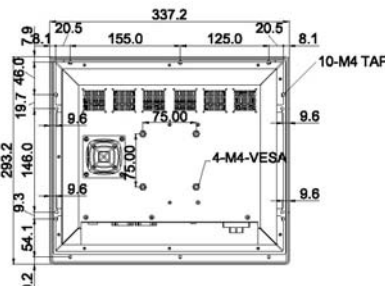
BOTTOM VIEW



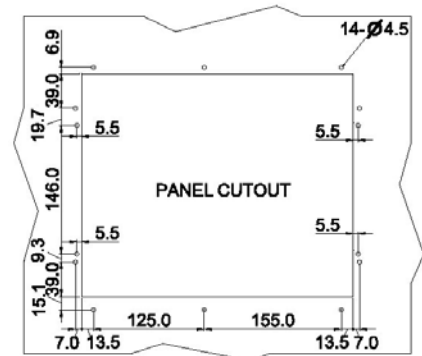
FRONT VIEW



SIDE VIEW



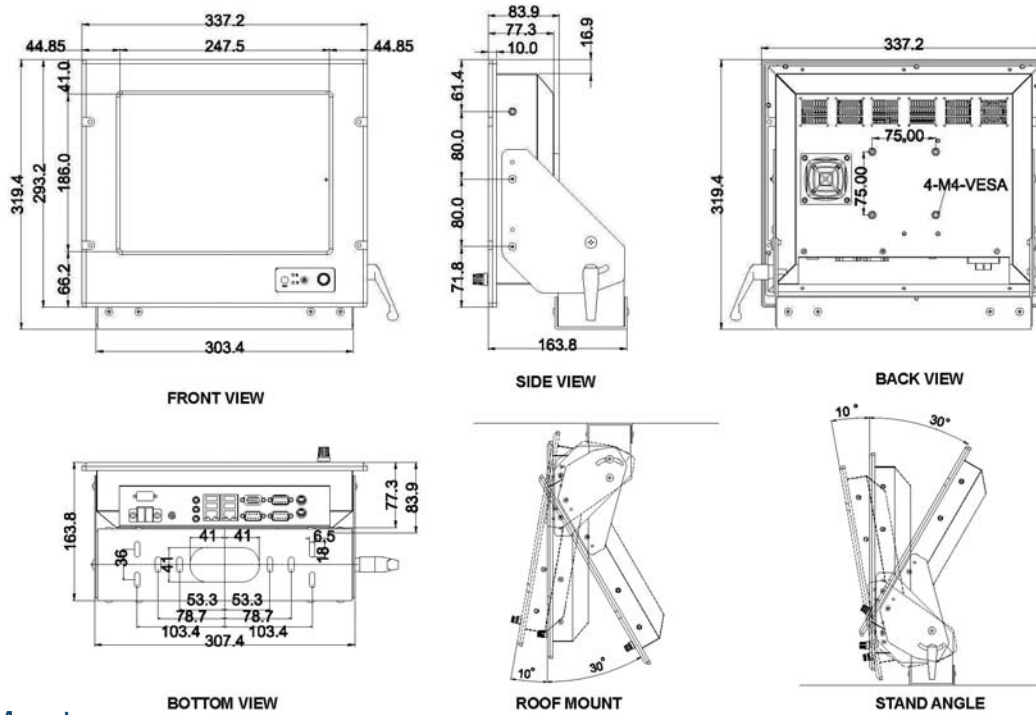
BACK VIEW



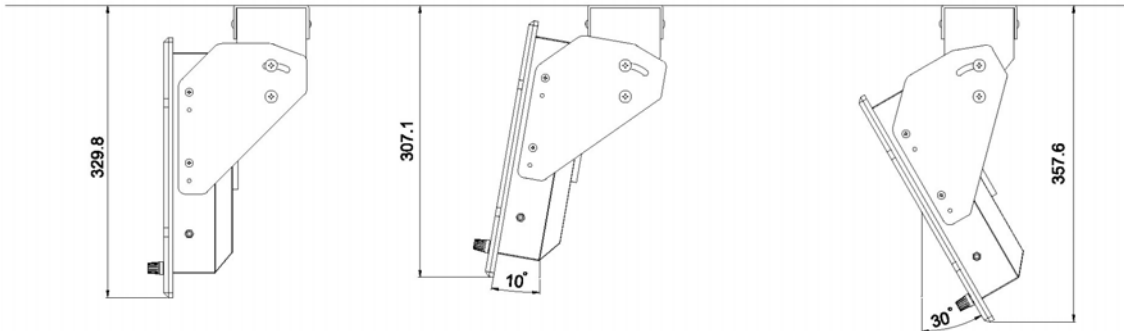
All Dimensions are ±0.5mm

12.1" High Brightness Intel Platform Marine Panel PC

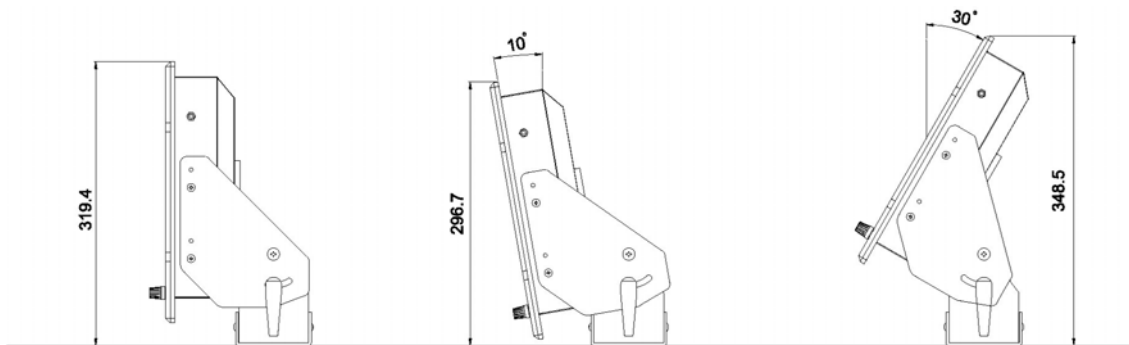
Mechanical Design with Robust Bracket (Options)



Roof Mount



Stand Angle



★ Note: this is a simplified drawing and some components are not marked in detail. Please contact our sales representative if you need further product information.

Certification and Approvals : CE, FCC

All Dimensions are $\pm 0.5\text{mm}$



i-Tech Company LLC
 TOLL FREE: (888) 483-2418 • EMAIL: info@itechlcd.com • WEB: www.iTechLCD.com