

# 12.1" Marine Panel PC



Model no.:  
**WMARC1210M4-AT**

## Mechanical and Environmental

Mechanical Mounting : Panel (Flush) mount with IP65\*, VESA Bracket mounting  
 Operating Temperature : -10 to 55 deg.C(-20 to 60 deg.C for optional heating)  
 Operating Humidity : 5% to 95% (non condensing)  
 Anti-Vibration : 5Hz~500Hz / IGrms/3 Axis  
 Anti-Shock : 15G, 11ms duration  
 \*SAW touch for IP54

## SBC Specifications

Processor : Intel Atom N270 1.6 GHz  
 BIOS : AMI 4Mbit  
 System Chipset : Intel 945GSE/ICH7M  
 Memory Slot : 1 x240-pin DDR2 DIM, max 2GB  
 Graphic Chipset : Intel 945GSE integrated (224MB shared)  
 IDE : 1 x IDE (UDMA33/66/100)  
 Compact Flash : 1 x Type I/II CF Socket (Optional)  
 KB / Mouse Connector : 2 x PS/2  
 Ethernet : Dual Realtek RTL8111B Gigabyte Ethernet  
 VGA : 1 x VGA Connector  
 Audio : Built-in Audio + AC97 Codec  
 USB Ports : 8 x USB (4x USB on backside I/O)  
 Serial Ports : 3 x RS232, (1 is optional), 1 x RS232/422/485  
 Hard Drive : 2.5" 80GB  
 Expansion slot : 1 x PCI, 1 x Mini PCI

## Input/Output Connectors

Ethernet LAN : 2 x RJ45-10/100/1000 Mbps  
 Keyboard / Mouse : 2 x PS/2  
 COM : 2 x RS232, 1 x RS232/422/485 9P DSUB(male)  
 USB : 4 x USB Type-A receptable  
 RGB Out : 1 x VGA (female)  
 Audio : 1 x Audio Jack (Line-out, Line-in, Micro In)  
 DC Power : 1 x DC Terminal block  
 AC Power : 1 x Std. IEC Inlet (Option)

## Available Options

Touch Screen Options : SAW, 5 Wire Resistive  
 AR Safety Glass Option : 3mm Anti-reflective protection glass  
 AC Power Options : 90 to 265 V AC power input  
 Bracket and Stand Options : Yes (One robust bracket can adjust from -10 to 30 deg.)

## Certifications and Approvals

- CE, FCC

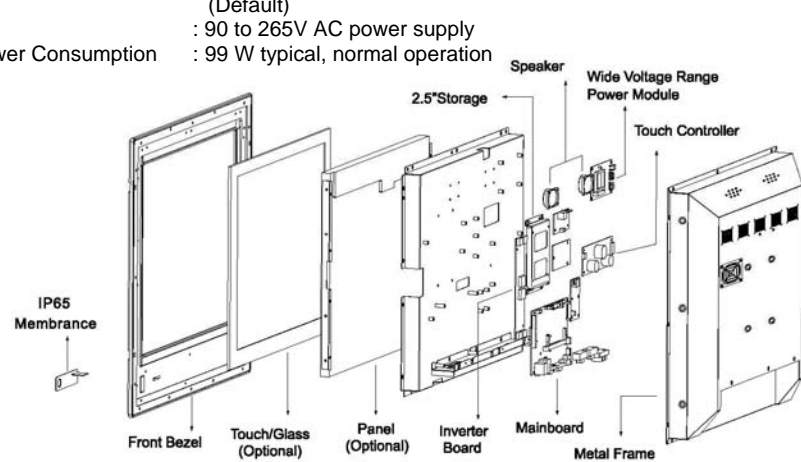
## Power Specification

Power Supply Options : 9 to 36 V DC to DC power supply w/ Terminals Block (Default)  
 : 90 to 265V AC power supply

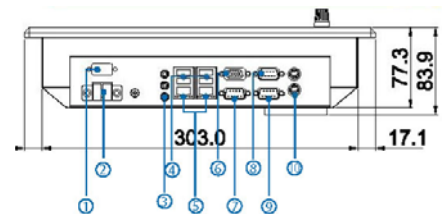
Power Consumption : 99 W typical, normal operation

## TFT Characteristics

Pixel Number : 1024 x 768  
 Pixel Pitch(R&B) : 0.240 (H) x 0.240 (V) mm  
 Contrast Ratio : 700:1(typ.)  
 Light Intensity : 1000 cd/m2 (typ.)  
 Viewable Angle : -60~60 (H);-75~45 (V)  
 Active Display Area : 245.76 (H) x 184.32 (V) mm  
 Max Colors : 16.7M (8bit/colors)

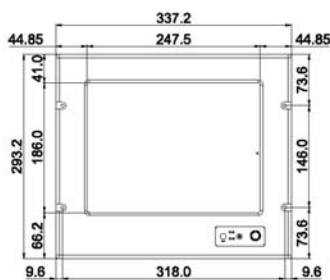


## Modularized Construction

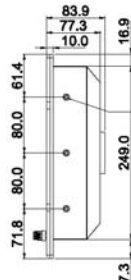


1. COM(option)
2. 9 to 36 V DC Terminal Block
3. Audio
4. USB
5. LAN
6. VGA
7. COM1
8. COM3
9. COM4
10. PS/2

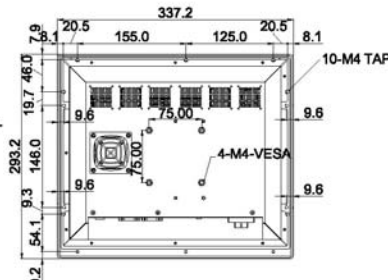
## BOTTOM VIEW



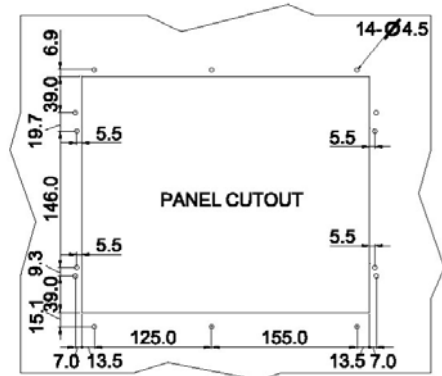
FRONT VIEW



SIDE VIEW



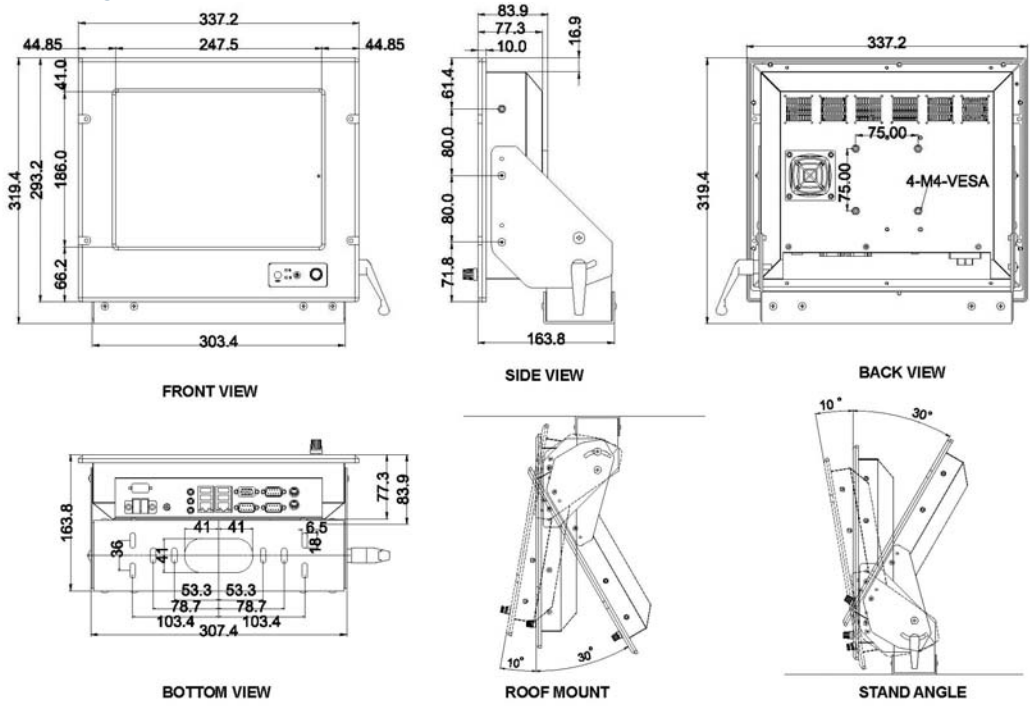
BACK VIEW



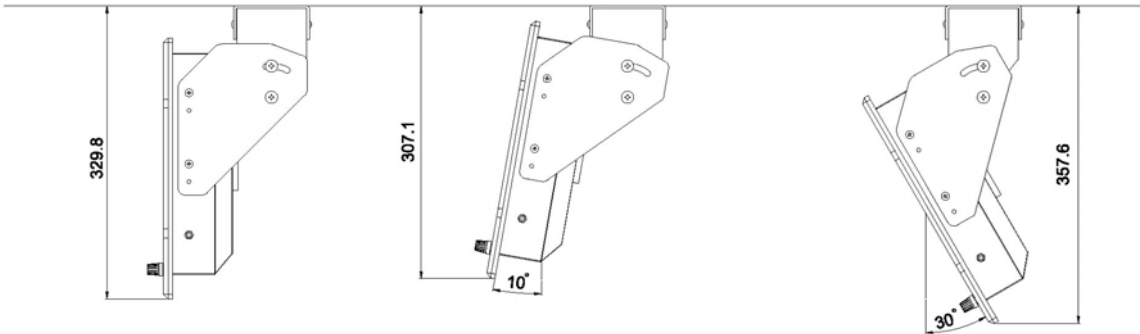
All Dimensions are ±0.5mm

# 12.1" Marine Panel PC

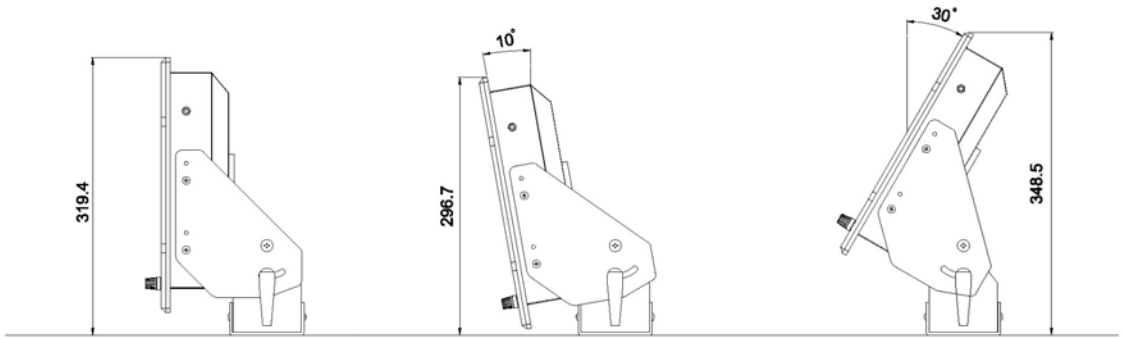
## Mechanical Design with Robust Bracket (Options)



## Roof Mount



## Stand Angle



★ Note: this is a simplified drawing and some components are not marked in detail. Please contact our sales representative if you need further product information.

Certification and Approvals : CE, FCC

All Dimensions are  $\pm 0.5\text{mm}$



i-Tech Company LLC  
TOLL FREE: (888) 483-2418 • EMAIL: [info@itechlcd.com](mailto:info@itechlcd.com) • WEB: [www.iTechLCD.com](http://www.iTechLCD.com)