

15" Marine PANEL PC w/ Intel core i7, 1024 x 768, 400nits

Model: WMAR1500-i7



Features:

- 15" XGA 1024 x 768 TFT LCD
- Intel® Core i7-3517UE Turbo max 2.8GHz
- 1 x SO-DIMM DDR3 1333/1600 (max 8GB)
- 1 x RS232, 1xRS232/422/485, 2xRS232 or 2xIsolation RS422/485(optional)
- Intel® 82579-LM GbE PHY+Intel WG82574L GbE
- Isolated Power Module

TFT Characteristics

Pixel Number	:1280 x 768
Pixel Pitch(R&B)	:0.297 (H) x 0.297 (V) mm
Contrast Ratio	: 700:1(typ.)
Light Intensity	:400 cd/m (typ.)
Viewable Angle	: -80 ~ 80(H) ; -60 ~ 80(V)
Active Display Area	: 304 (H) x 228 (V) mm
Max Colors	:16.2 (M) / 8 bit / colors

Input / Output Connectors

Ethernet LAN	: 2 x RJ45-10/100/1000 Mbps
COM	: 1 x RS232, 1 x RS232/422/485, 2 x RS232 or 2 x Isolation RS422/485 (optional)
USB	: 2 x USB 3.0
Video output	: 1 x HDMI , 1 x VGA
DC Power	: 1 x DC Terminal block

SBC Specifications

Processor	: Intel®Core i7-3517UE 1.7GHz
BIOS	: AMI system BIOS
System Chipset	: Intel®HM76
System Memory	: 1 x SODIMM DDR3 1333/1600(max 8GB)
Ethernet Controller	: Intel®82579-LM GbE PHY + Intel WG82574GbE
Serial	:1 x RS232 / 422 / 485 3 x RS232 (internal)
USB	:3 x USB 3.0 (1 x internal) 2 x USB 2.0 (internal)
Storage	:1 x mSATA 32GB /2.5" 320GB HDD (option)

Power Specification

Power Supply Options	:9 to 36V DC power supply with Terminal block (Default)
Power Consumption	: 110 W typical, normal operation

Mechanical and Environmental

Mechanical Mounting	:Panel (Flush) mount with IP66*, VESA, Bracket mounting
Operating Temperature heating)	: -15 to 55 deg.C (-20 to 60 deg.C for optional heating)
Operating Humidity	: 5% to 95% (non condensing)
Anti-Vibration	: 5Hz-500Hz / 1Grms/3 Axis
Anti-Shock	: 15G, 11ms duration
* SAW touch for IP54	

Available Options

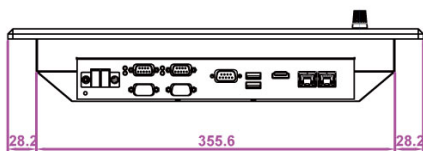
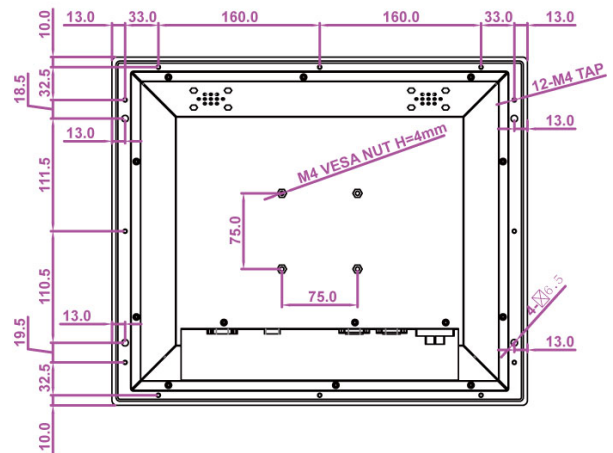
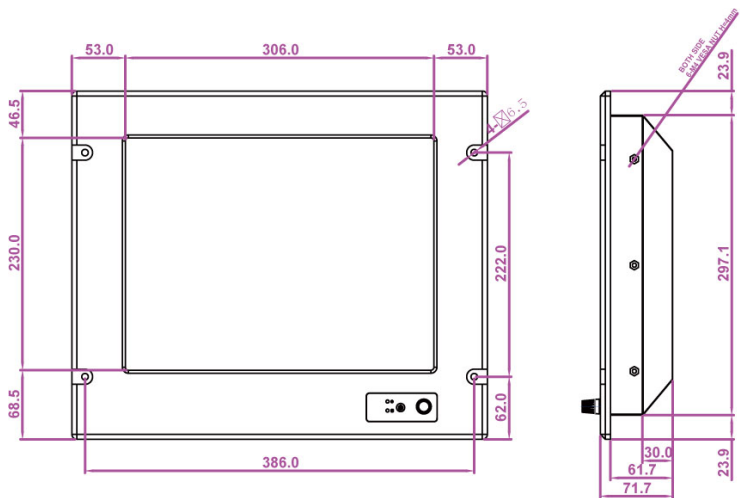
Touch Screen Options	: 5 Wire Resistive
AR Safety Glass Option	: 3mm Anti-reflective protection glass
Bracket Mounting Options	: Yes (One robust bracket can adjust from -10 to 30 deg.)

Certification and Approvals

CE, FCC

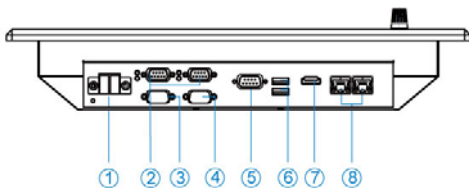
15" Marine PANEL PC w/ Intel core i7, 1024 x 768, 400nits

Model: WMAR1500-i7

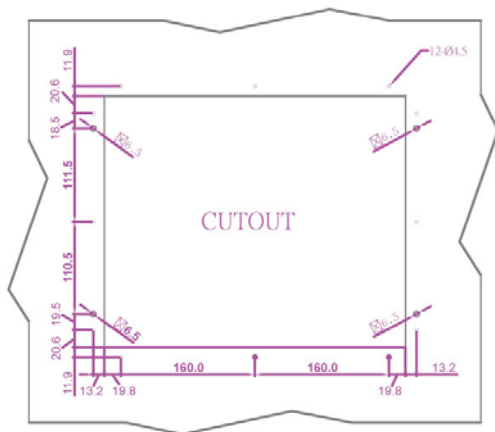


FRONT VIEW

SIDE VIEW



- | | |
|---|----------------------|
| 1. 1 x 9~36V DC input | 5. 1 x RS232/422/485 |
| 2. 2 x RS232 or
2 x Isolation RS422/485 (optional) | 6. 2 x USB3.0 |
| 3. 1 x RS232 | 7. 1 x HDMI |
| 4. 1 x VGA output | 8. 2 x RJ45 |



CUT OUT DIMENSION