

# 19" Marine Panel PC



**Model no.:**  
**WMARC1900A1-AT**

## SBC Specifications

Processor	: Intel Atom N270 1.6 GHz
BIOS	: AMI 4Mbit
System Chipset	: Intel 945GSE/ICH7M
Memory Slot	: 1 x240-pin DDR2 DIM, max 2GB
Graphic Chipset	: Intel 945GSE integrated (224MB shared)
IDE	: 1 x IDE (UDMA33/66/100)
Compact Flash	: 1 x Type I/II CF Socket (Optional)
KB / Mouse Connector	: 2 x PS/2
Ethernet	: Dual Realtek RTL8111B Gigabyte Ethernet
VGA	: 1 x VGA Connector
Audio	: Built-in Audio + AC97 Codec
USB Ports	: 8 x USB (4x USB on backside I/O)
Serial Ports	: 3 x RS232, (1 is optional), 1 x RS232/422/485
Hard Drive	: 2.5" 80GB
Expansion slot	: 1 x PCI, 1 x Mini PCI

## Certifications and Approvals

- CE, FCC

## Power Specification

Power Supply Options : 9 to 36 V DC to DC power supply w/ Terminal Block (Default)  
: 90 to 265V AC power supply

Power Consumption : 86 W typical, normal operation

## Mechanical and Environmental

Mechanical Mounting : Panel (Flush) mount with IP65\*, VESA Bracket mounting  
Operating Temperature : -10 to 55 deg.C (-20 to 60 deg.C for optional heating)  
Operating Humidity : 5% to 95% (non condensing)  
Anti-Vibration : 5Hz~500Hz / IGrms/3 Axis  
Anti-Shock : 15G, 11ms duration  
\*SAW touch for IP54

## Input/Output Connectors

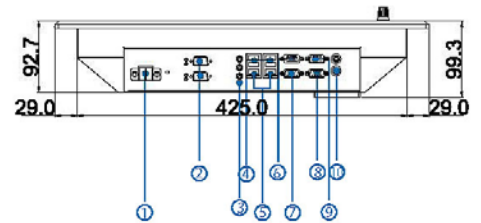
Ethernet LAN	: 2 x RJ45-10/100/1000 Mbps
Keyboard / Mouse	: 2 x PS/2
COM	: 2 x RS232, 1 x RS232/422/485 9P DSUB(male)
USB	: 4 x USB Type-A receptable
RGB Out	: 1 x VGA (female)
Audio	: 1 x Audio Jack (Line-out, Line-in, Micro In)
DC Power	: 1 x DC Terminal block
AC Power	: 1 x Std. IEC Inlet (Option)

## Available Options

Touch Screen Options	: SAW, 5 Wire Resistive
AR Safety Glass Option	: 3mm Anti-reflective protection glass
Transflective Options	: Yes (Enhanced Visibility)
AC Power Options	: 90 to 265 V AC power input
Bracket and Stand Options	: Yes (One robust bracket can adjust from -10 to 30 deg.)

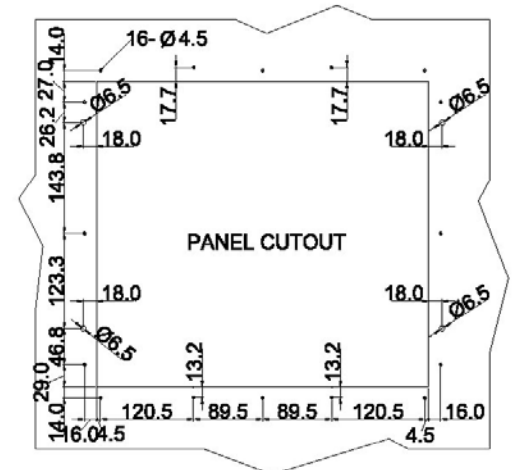
## IFT Characteristics

Pixel Number	: 1280 x 1024
Pixel Pitch(R&B)	: 0.2964 (H) x 0.294 (V) mm
Contrast Ratio	: 1000:1(typ.)
Light Intensity	: 400 cd/m2 (typ.)
Viewable Angle	: -80~80 (H); -80~80 (V)
Active Display Area	: 376.32 (H) x 301.06 (V) mm
Max Colors	: 16.7M (8bit/colors)



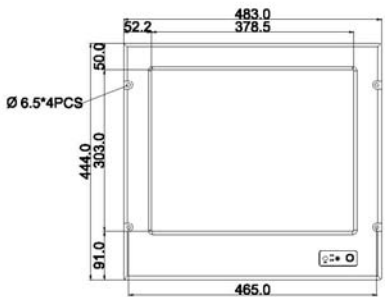
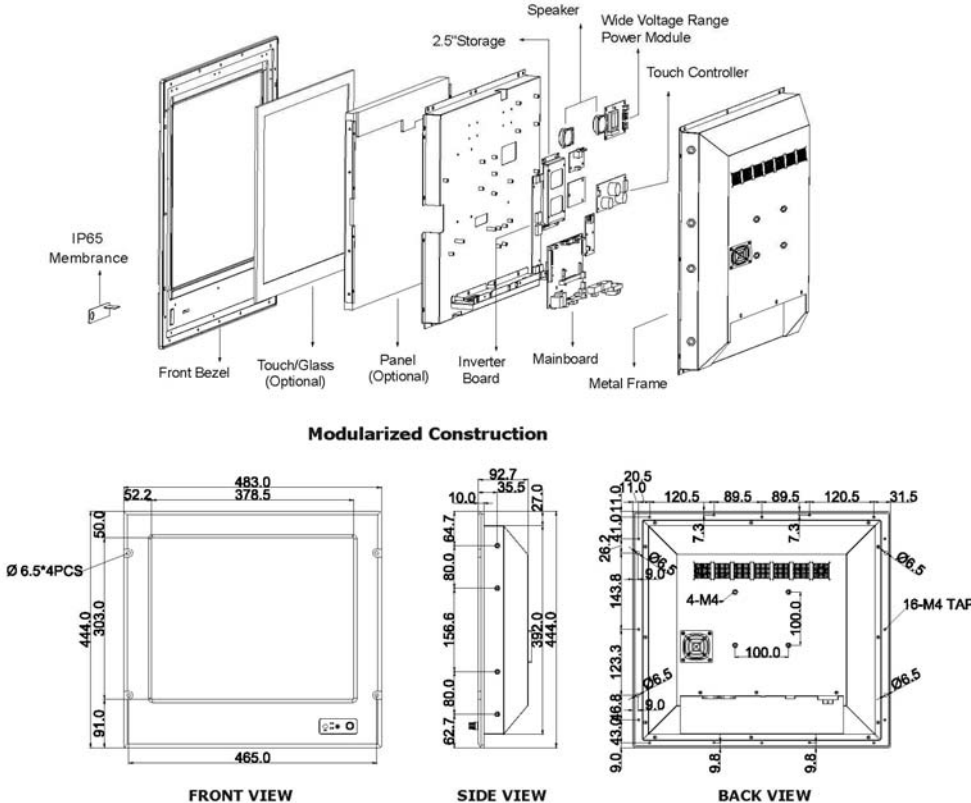
- |                                |          |
|--------------------------------|----------|
| 1. 9 to 36 V DC Terminal Block | 6. VGA   |
| 2. COM(option)                 | 7. COM1  |
| 3. Audio                       | 8. COM4  |
| 4. USB                         | 9. COM3  |
| 5. LAN                         | 10. PS/2 |

## BOTTOM VIEW

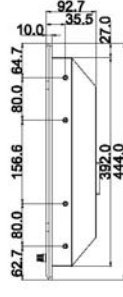


All Dimensions are ± 0.5mm

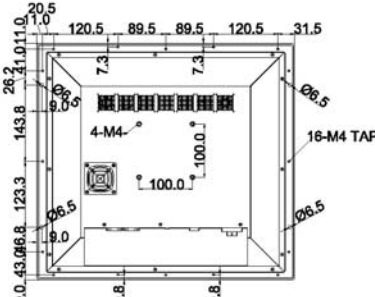
## Modularized Construction



FRONT VIEW



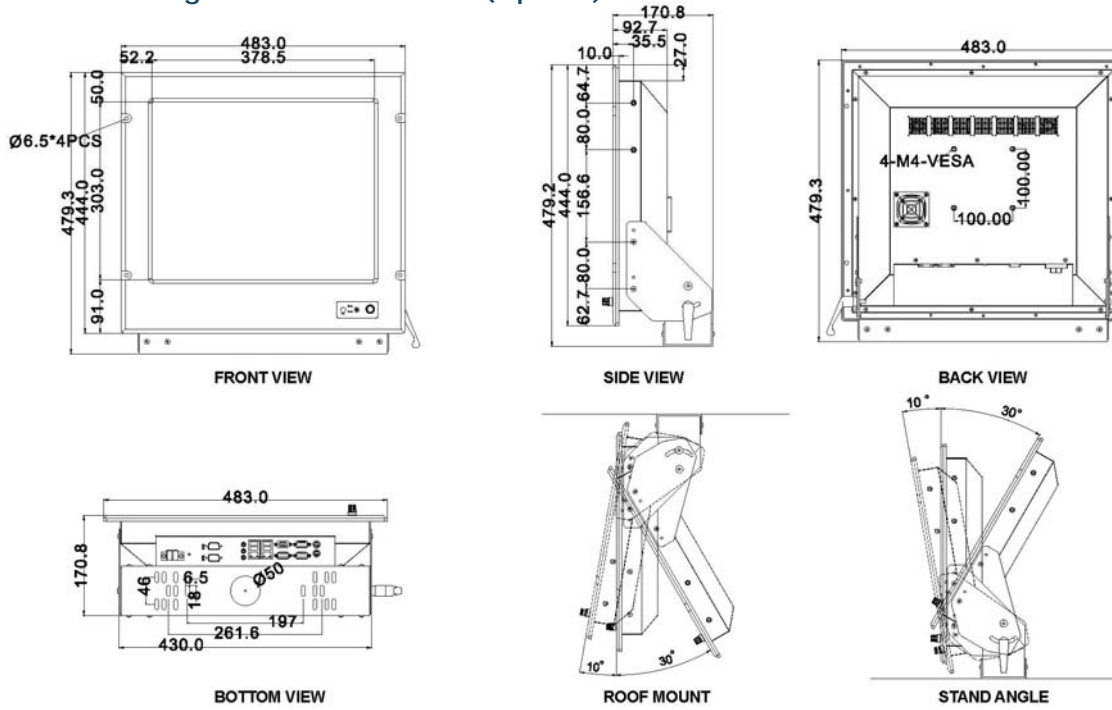
SIDE VIEW



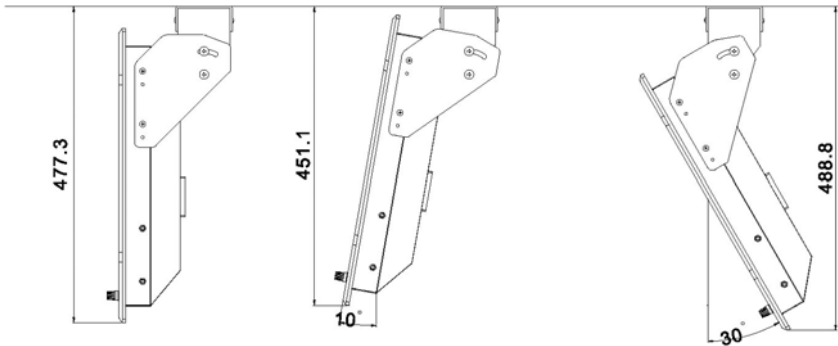
BACK VIEW

# 19" Marine Panel PC

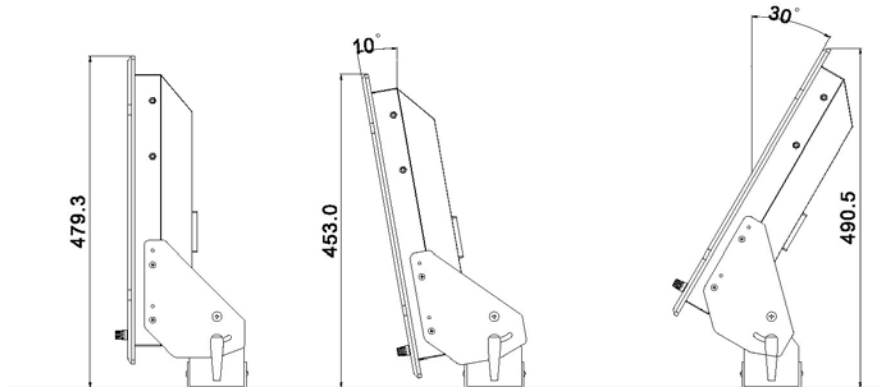
## Mechanical Design with Robust Bracket (Options)



## Roof Mount



## Stand Angle



★ Note: this is a simplified drawing and some components are not marked in detail. Please contact our sales representative if you need further product information.

Certification and Approvals : CE, FCC

All Dimensions are  $\pm 0.5\text{mm}$



i-Tech Company LLC  
 TOLL FREE: (888) 483-2418 • EMAIL: [info@itechlcd.com](mailto:info@itechlcd.com) • WEB: [www.iTechLCD.com](http://www.iTechLCD.com)